

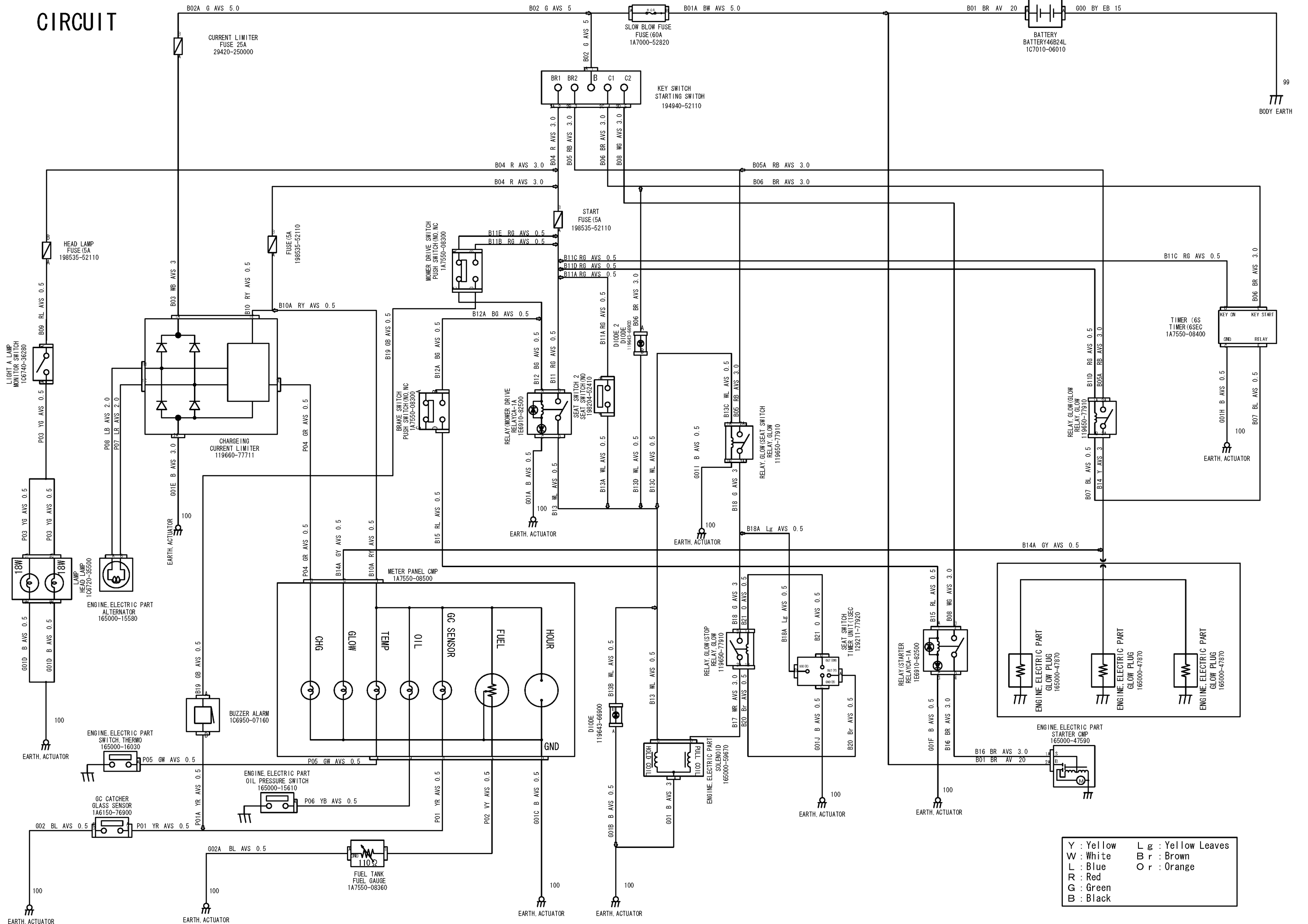
PAINT COLOR (RD18)

FIG	PAINT COLOR	COLOR SPRAY	MAIN PART	COLOR NUMBER
FITTING PART	YANMAR RED 2	TOR-90000004	BONNET	10
AXLE PART	YANMAR BLACK	TOR-90220003	FRONT AXLE, MOWER DECK	12
FRAME PART	YANMAR MAT BLACK	TOR-90340002	CAP	13
AXLE PART	YANMAR WHITE	TOR-90250002	WHEEL KIT	14
FRAME PART	YANMAR SAN SILVER M	977620-30191	FRONT BUMPER	68

Please surely use YANMAR Genuine color spray any
YANMAR agricultural machines

Given painting color may be altered for improvement, etc.
without prior notice.

CIRCUIT



PICTURESQUE INDEX (1) . . . MAIN PARTS

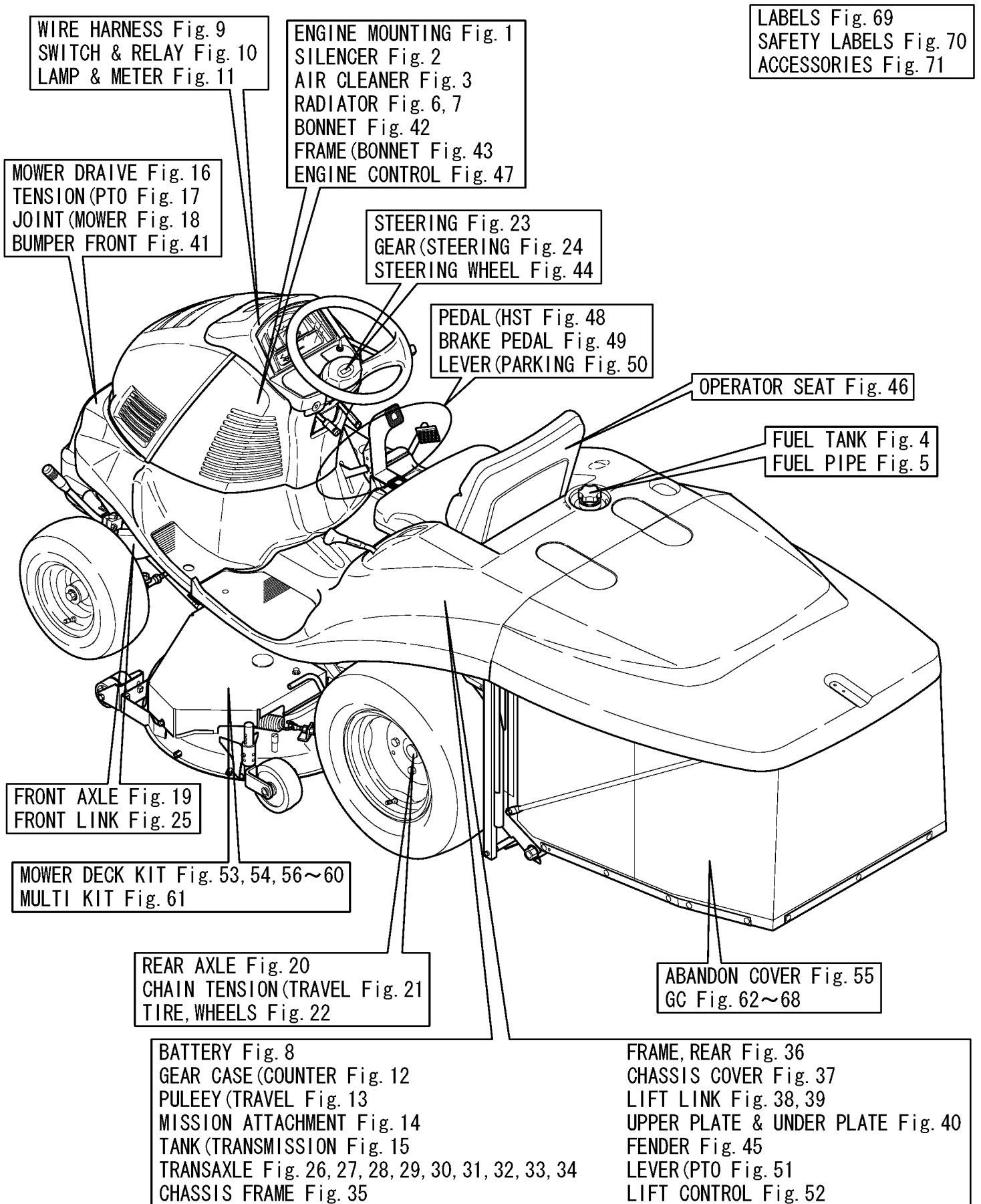


Fig. 1 ENGINE MOUNTING

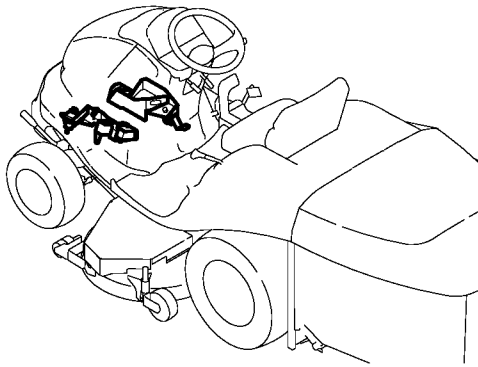


Fig. 2 SILENCER

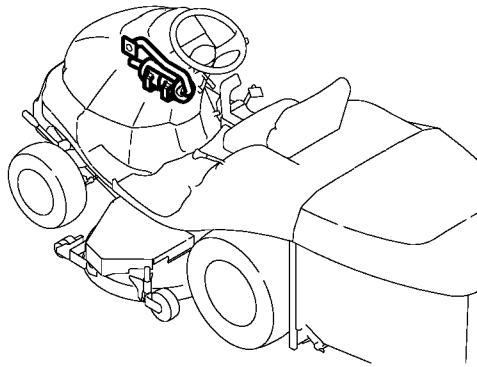


Fig. 3 AIR CLEANER

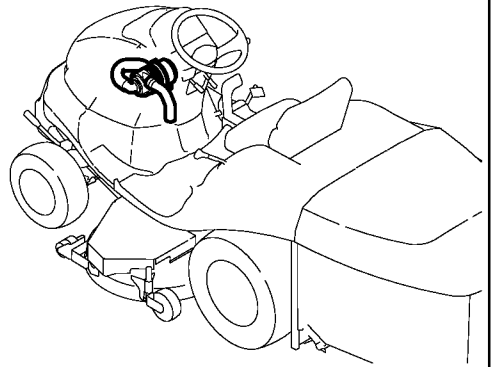


Fig. 4 FUEL TANK

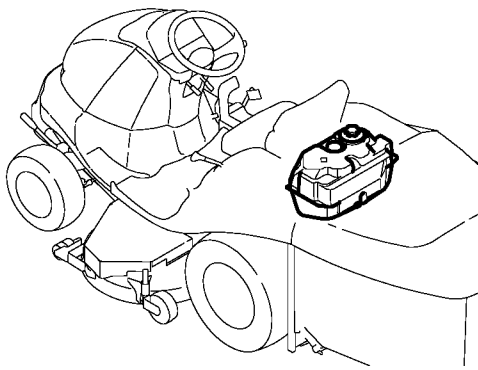


Fig. 5 FUEL PIPE

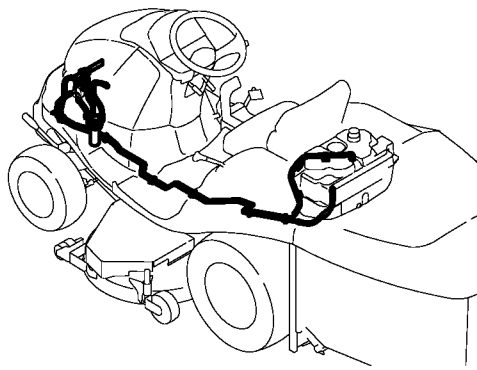


Fig. 6 RADIATOR (BODY)

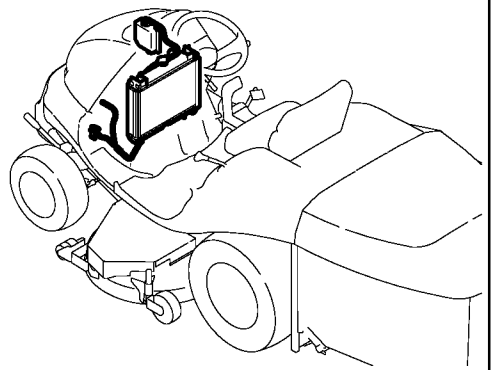


Fig. 7 RADIATOR (PLATE, BAFFLE)

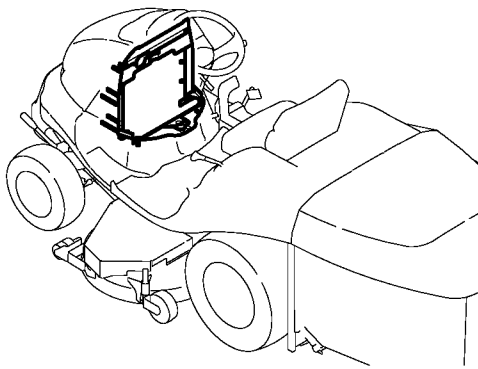


Fig. 8 BATTERY

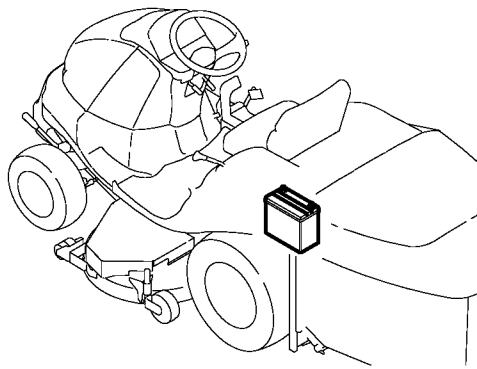


Fig. 9 WIRE HARNESS

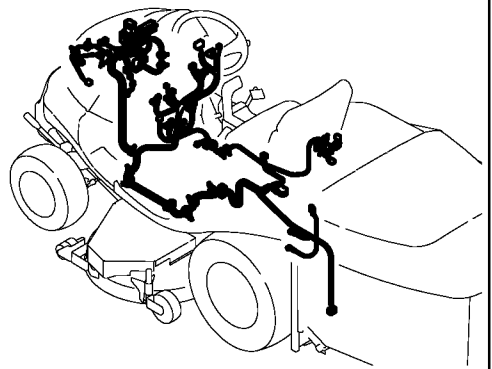


Fig. 10 SWITCH & RELAY

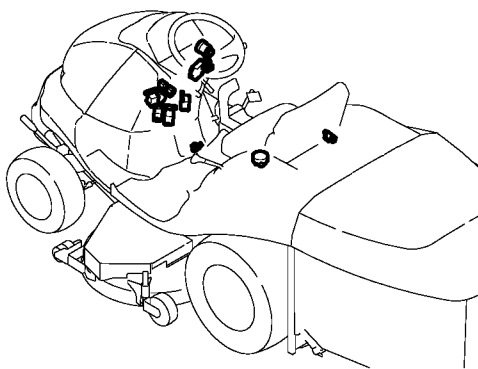


Fig. 11 LAMP & METER

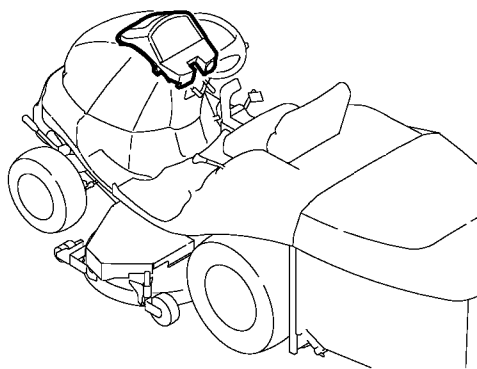


Fig. 12 GEAR CASE (COUNTER)

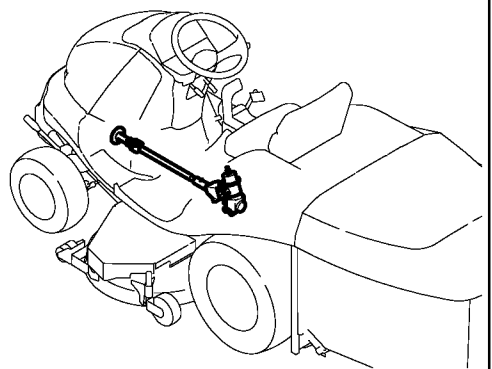


Fig. 13 PULEEY (TRAVEL)

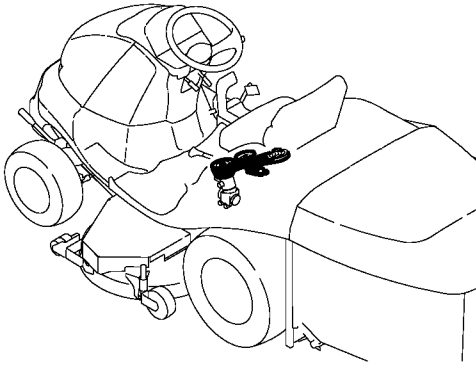


Fig. 14 MISSION ATTACHMENT

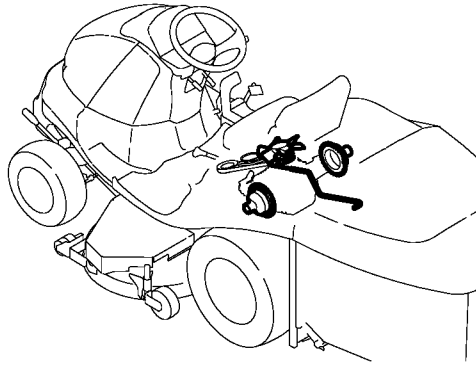


Fig. 15 TANK (TRANSMISSION)

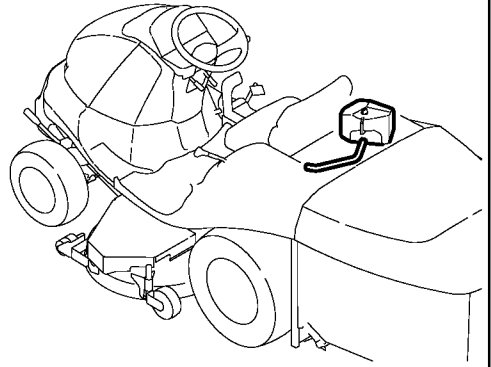


Fig. 16 MOWER DRAIVE

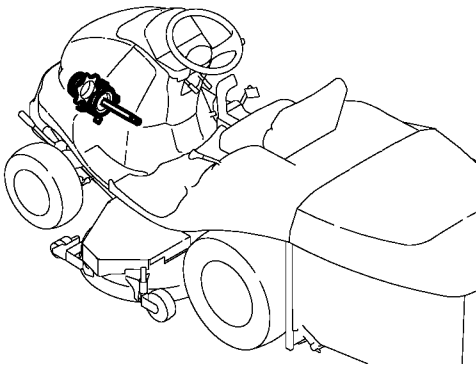


Fig. 17 TENSION (PTO)

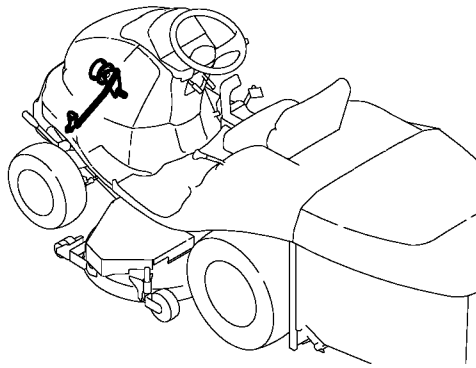


Fig. 18 JOINT (MOWER)

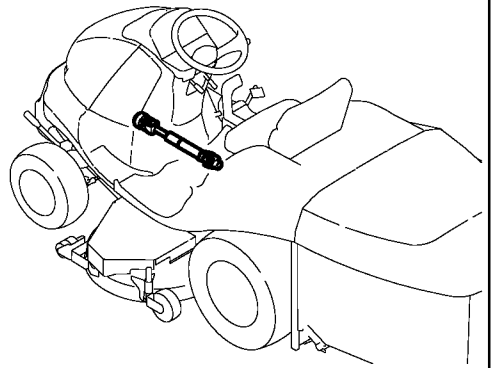


Fig. 19 FRONT AXLE

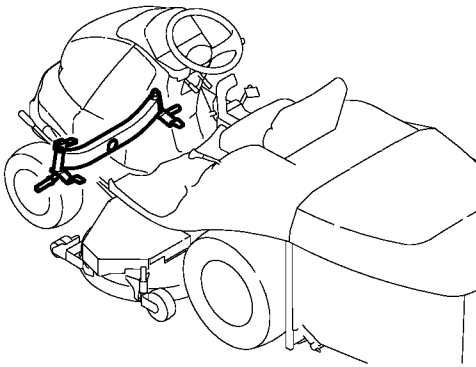


Fig. 20 REAR AXLE

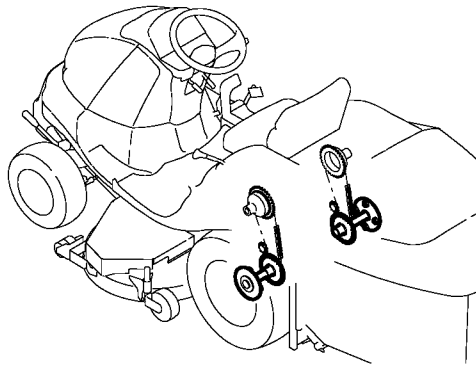


Fig. 21 CHAIN TENSION (TRAVEL)

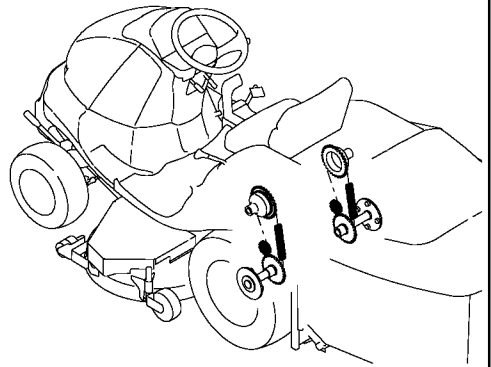


Fig. 22 TIRE, WHEELS

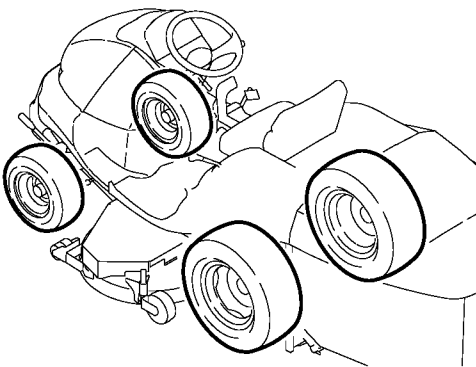


Fig. 23 STEERING

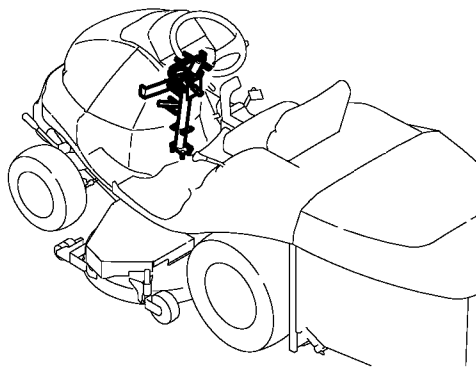


Fig. 24 GEAR (STEERING)

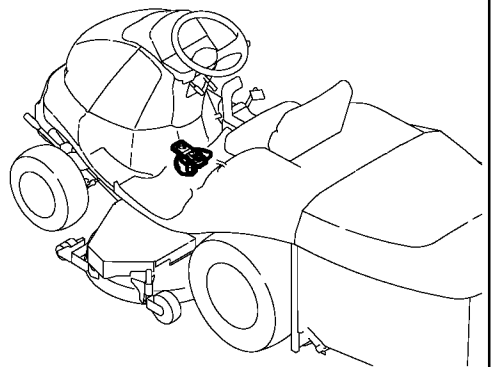


Fig. 25 FRONT LINK

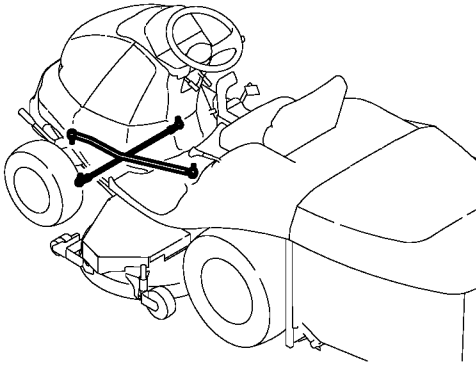


Fig. 26 TRANSAXLE KIT

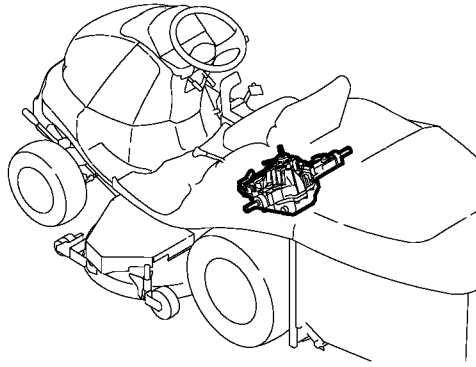


Fig. 27 TRANSAXLE (CASE)

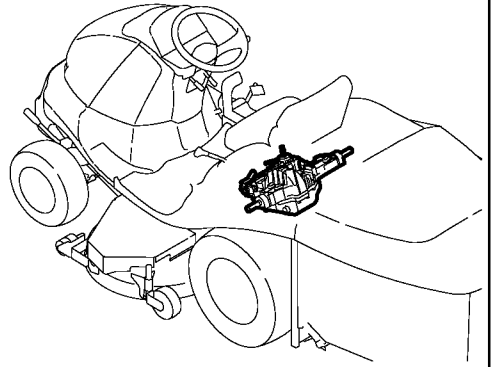


Fig. 28 TRANSAXLE (PUMP SHAFT)

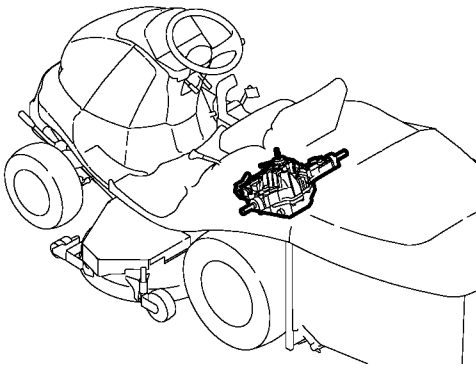


Fig. 29 TRANSAXLE (MOTOR SHAFT)

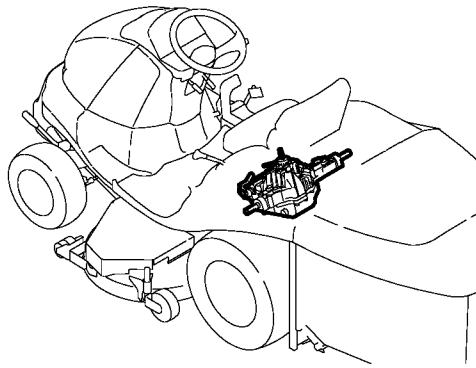


Fig. 30 TRANSAXLE (PUMP & CHANGE CONTROL)

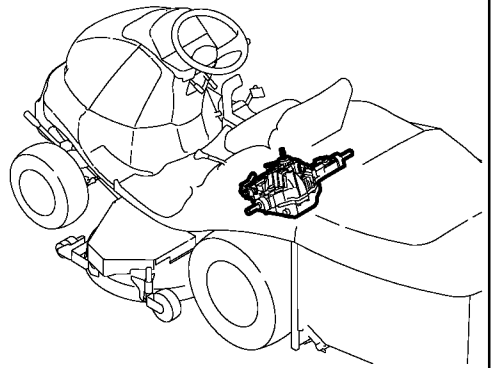


Fig. 31 TRANSAXLE (LEVER DAMPER)

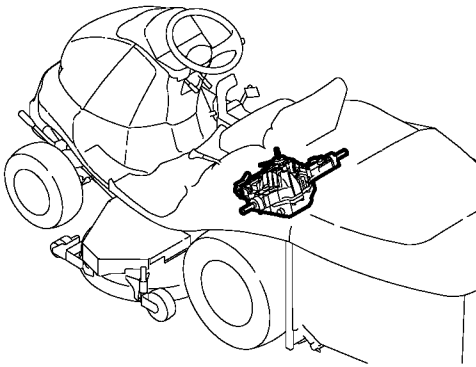


Fig. 32 TRANSAXLE (COVER, SIDE)

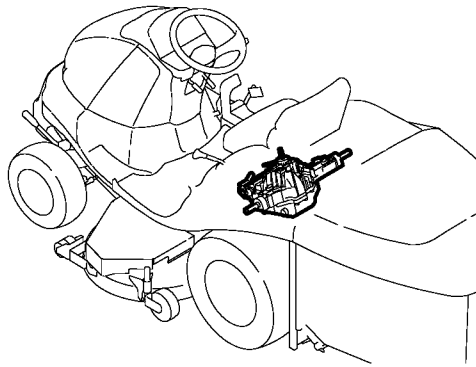


Fig. 33 TRANSAXLE (GEAR & SHAFT)

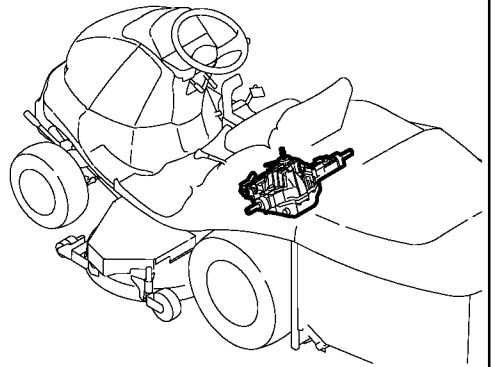


Fig. 34 TRANSAXLE (BRAKE)

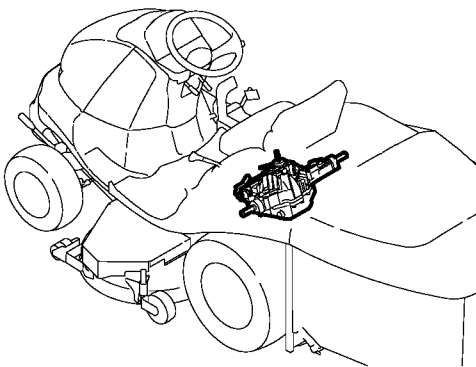


Fig. 35 CHASSIS FRAME

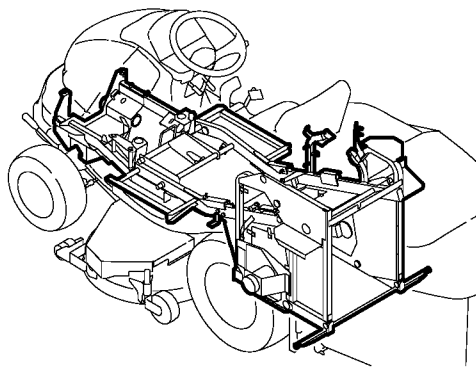


Fig. 36 FRAME, REAR

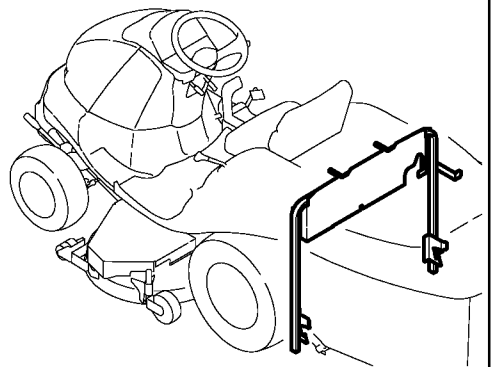


Fig. 37 CHASSIS COVER

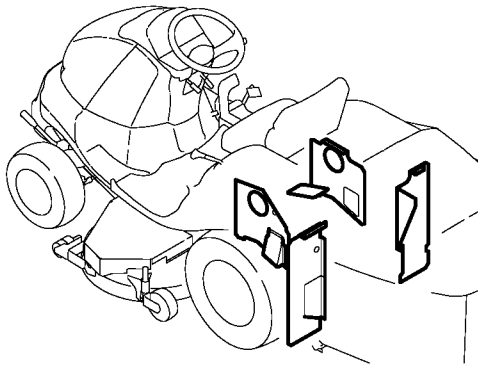


Fig. 38 LIFT LINK (REAR)

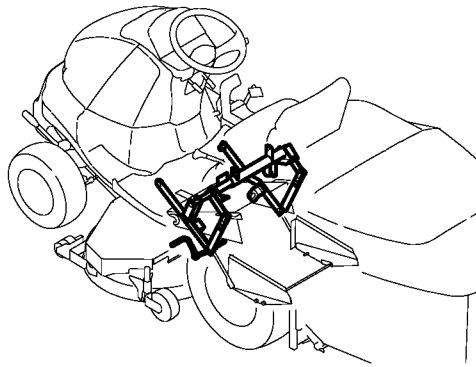


Fig. 39 LIFT LINK (FRONT)

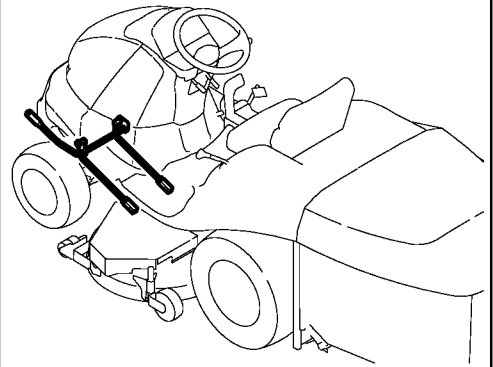


Fig. 40 UPPER PLATE & UNDER PLATE

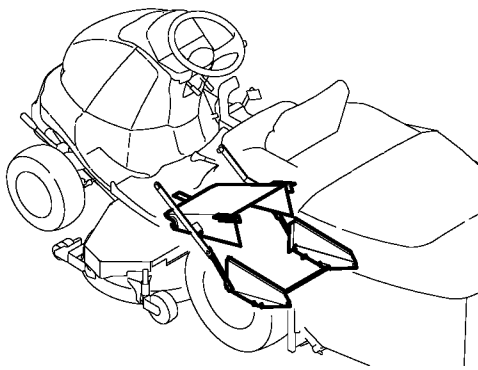


Fig. 41 BUMPER, FRONT

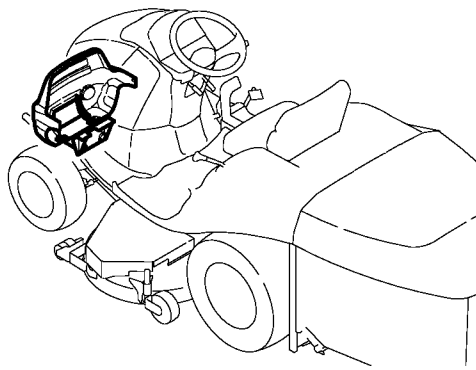


Fig. 42 BONNET

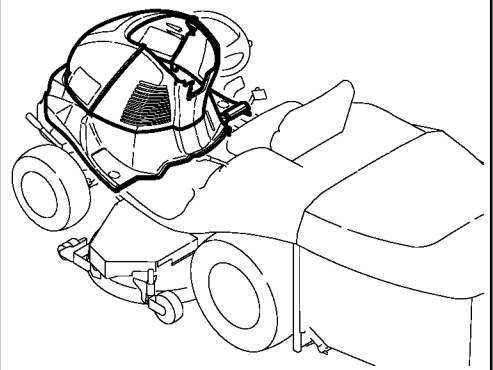


Fig. 43 FRAME (BONNET)

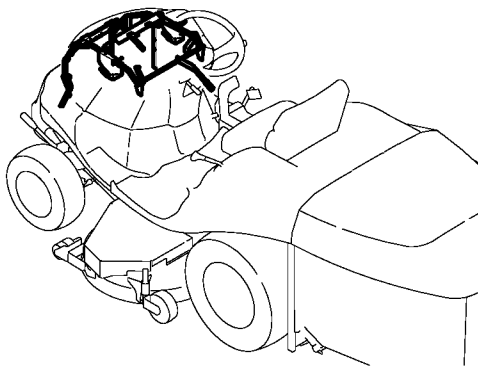


Fig. 44 STEERING WHEEL

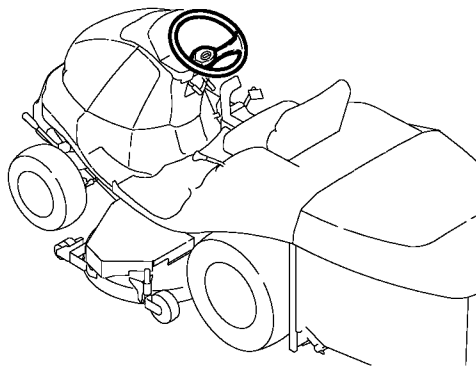


Fig. 45 FENDER

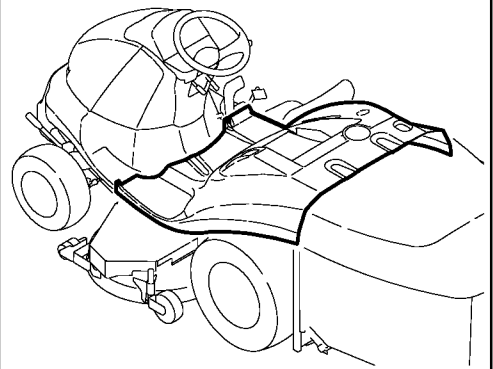


Fig. 46 OPERATOR SEAT

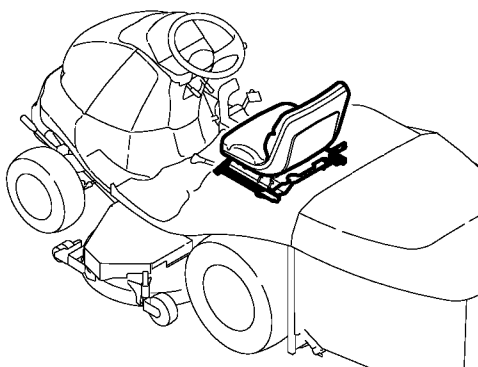


Fig. 47 ENGINE CONTROL

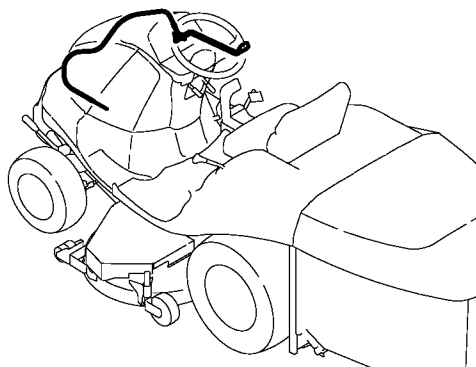


Fig. 48 PEDAL (HST)

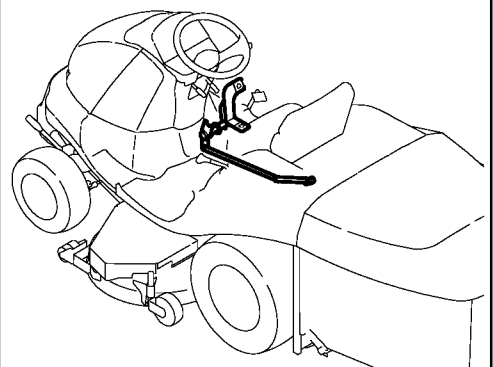


Fig. 49 BRAKE PEDAL

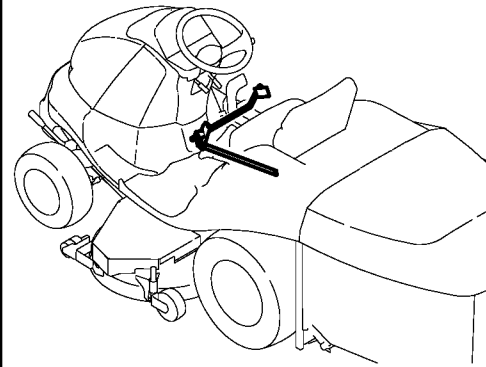


Fig. 50 LEVER (PARKING)

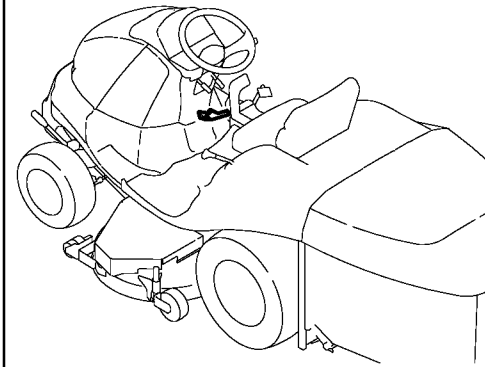


Fig. 51 LEVER (PTO)

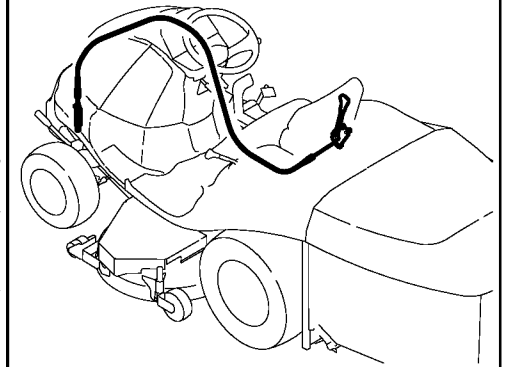


Fig. 52 LIFT CONTROL

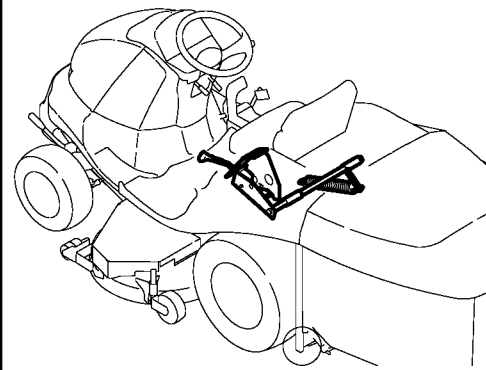


Fig. 53 MOWER DECK KIT

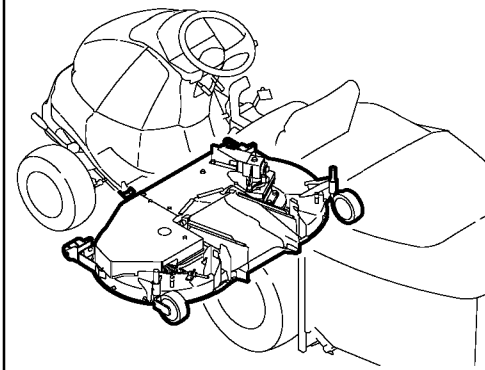


Fig. 54 MOWER DECK & COVER

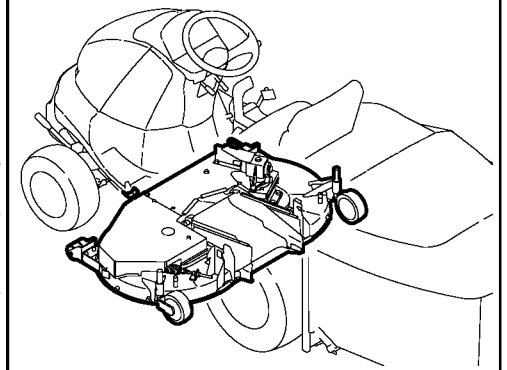


Fig. 55 ABANDON COVER

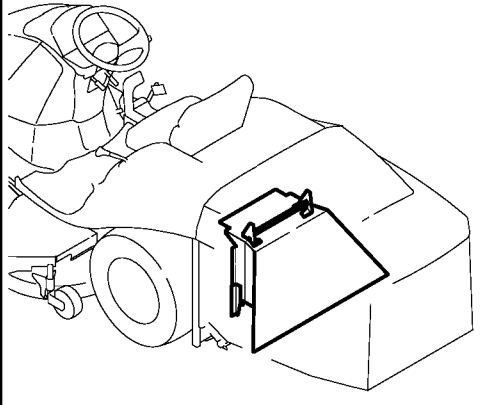


Fig. 56 MOWER IN-PUT

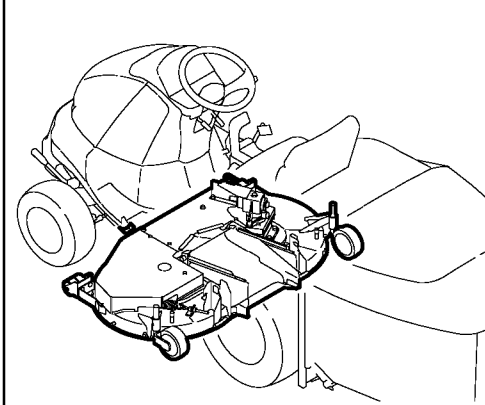


Fig. 57 BLADE DRIVE

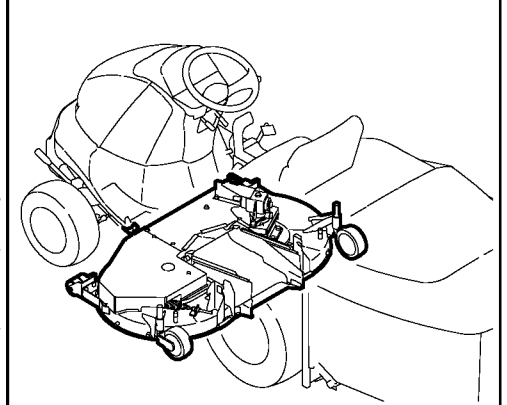


Fig. 58 TENSION ARM

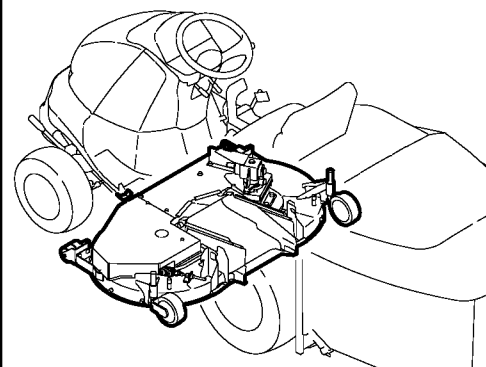


Fig. 59 BLADE

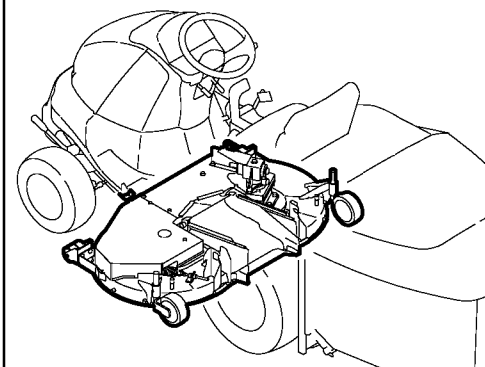


Fig. 60 GAUGE WHEEL

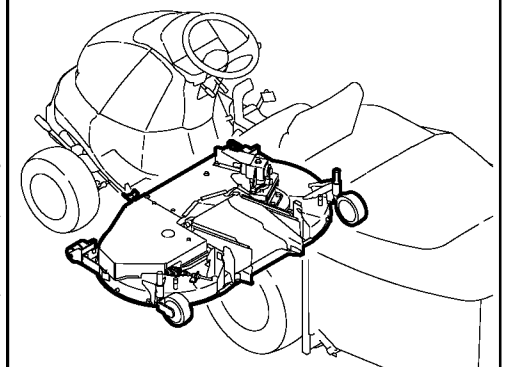


Fig. 61 MULTI KIT

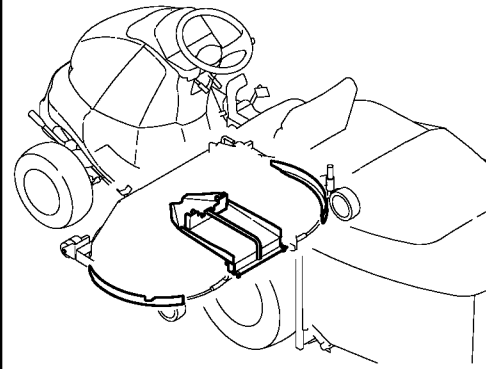


Fig. 62 GC BAG

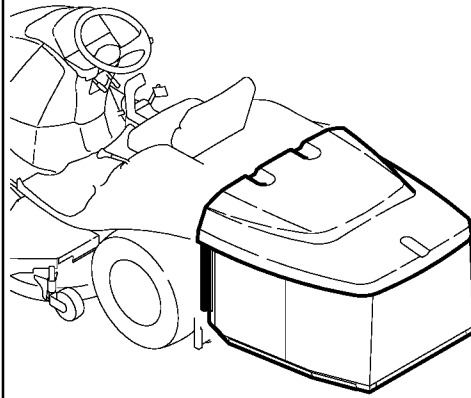


Fig. 63 GC MOUNTING FRAME

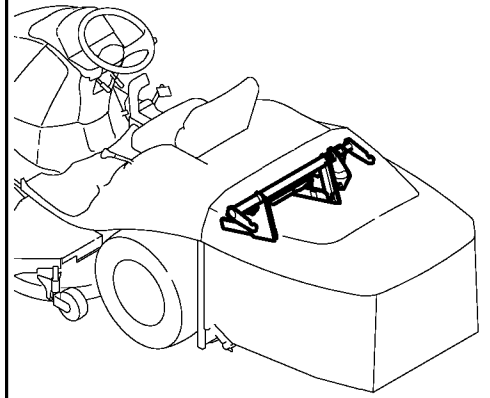


Fig. 64 GC FRAME

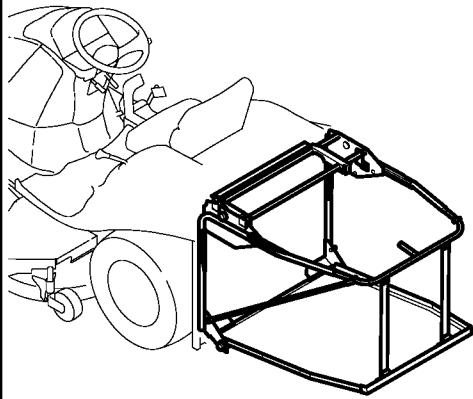


Fig. 65 GC SENSOR

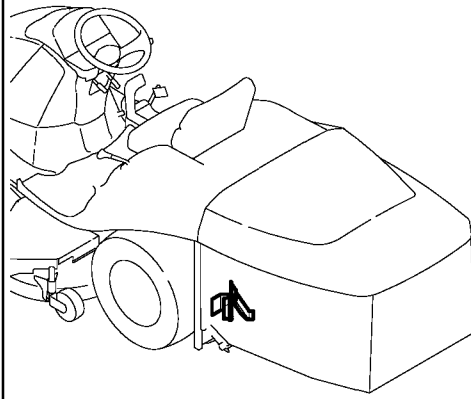


Fig. 66 GC SWITCH LINK

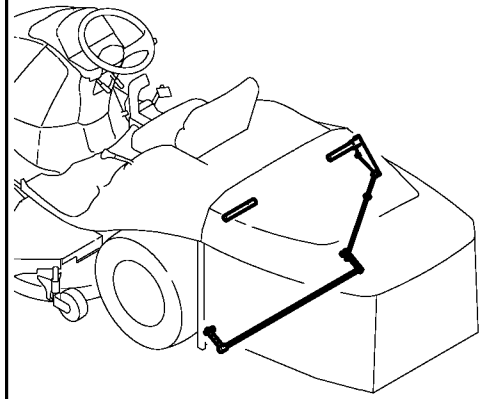


Fig. 67 GC UNDER PLATE

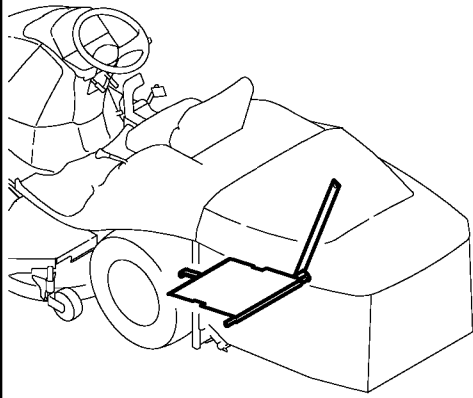


Fig. 68 GC HYDRAULIC SWITH

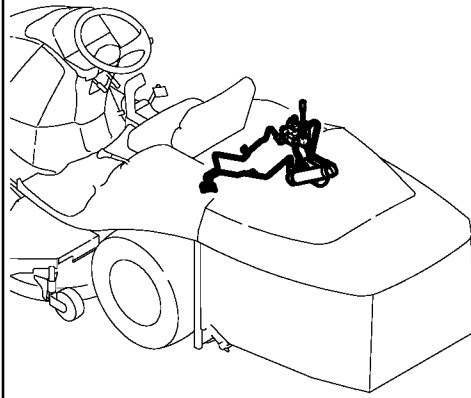


Fig. 69 LABELS

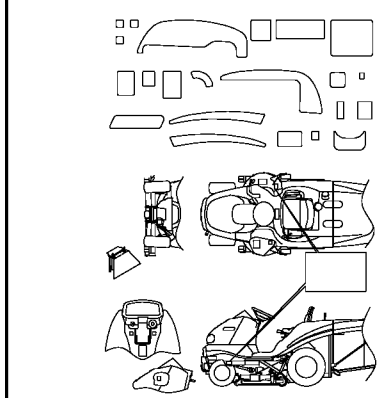


Fig. 70 SAFETY LABELS

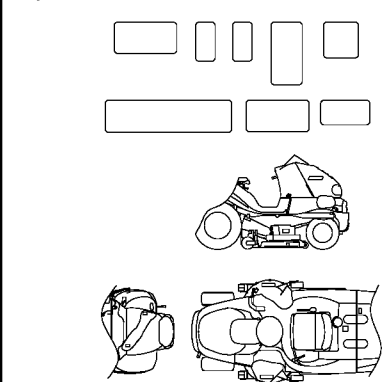
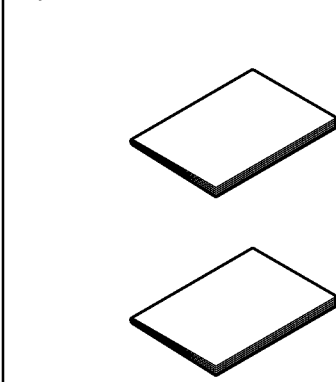


Fig. 71 ACCESSORIES



CONTENTS

MODEL : 3TE67L-DUM(N4678
PC NO : NPC-4677

Fig.No. GROUP NAME
ENGINE SECTION

1. CYLINDER BLOCK
2. CRANKSHAFT,PISTON
3. OIL PUMP,CAMSHAFT
4. TIMING GEAR CASE,GOVERNOR
5. CYLINDER HEAD,EXHAUST MANIFOLD
6. OIL PAN,FLYWHEEL
7. INJECTION PUMP,INJECTOR
8. ROCKER ARM
9. HEAD COVER
10. WATER PUMP,THERMOSTAT CASE
11. COOLING FAN,OIL FILTER
12. INJECTION PUMP ASSY,INJECTOR A
13. ALTERNATOR ASSY
14. STARTING MOTOR ASSY
15. GASKET KIT

Fig.No. GROUP NAME

CONTENTS

MODEL : RD18
PC NO : NPC-4678

Fig.No.	GROUP NAME
ENGINE RELATION UNIT	
1.	ENGINE MOUNT
2.	SILENCER
3.	AIR CLEANER
4.	FUEL TANK
5.	FUEL PIPE
6.	RADIATOR(BODY)
7.	RADIATOR (PLATE, BAFFLE)
8.	BATTERY
9.	WIRE HARNESS
10.	SWITCHES & RELAYS
11.	LAMPS & METER
AXLE SECTION 1	
12.	GEAR CASE(COUNTER)
13.	PULLEY(TRAVELING)
14.	TRANSMISSION ACCESSORIES
15.	TANK(TRANSMISSION)
16.	MOWER DRIVE
17.	TENSION(PTO)
18.	JOINT(MOWER)
AXLE SECTION 2	
19.	FRONT AXLE
20.	REAR AXLE
21.	CHAIN TENSION(TRAVEL)
22.	WHEELS
23.	STEERING
24.	GEAR(STEERING)
25.	FRONT LINK

Fig.No.	GROUP NAME
26.	TRANSAXLE KIT
27.	TRANSAXLE CASE
28.	TRANSAXLE(PUMP SHAFT)
29.	TRANSAXLE(MOTOR SHAFT)
30.	TRANSAXLE(PUMP & CHANGE)
31.	TRANSAXLE(SHOCK ABSORBER)
32.	TRANSAXLE(COVER, SIDE)
33.	TRANSAXLE(GEAR & SHAFT)
34.	TRANSAXLE(BRAKE)

FRAME SECTION

35.	CHASSIS FRAME
36.	FRAME, REAR
37.	CHASSIS COVER
38.	LIFT LINK(REAR)
39.	LIFT LINK(FRONT)
40.	TOP PLATE & UNDER PLATE
41.	BUMPER FRONT

FITTINGS SECTION

42.	BONNET
43.	FRAME(BONNET)
44.	STEERING WHEEL
45.	FENDER
46.	OPERATOR SEAT

CONTROL UNIT

47.	ENGINE CONTROL
48.	PEDAL(HST)
49.	BRAKE PEDAL

CONTENTS

MODEL : RD18
PC NO : NPC-4678

Fig.No. GROUP NAME

- 50. LEVER(PARKING)
- 51. LEVER(PTO)
- 52. LIFT CONTROL

Fig.No. GROUP NAME

MOWER UNIT

- 53. MOWER DECK KIT
- 54. MOWER DECK & COVER
- 55. ABANDON COVER
- 56. MOWER INPUT
- 57. BLADE DRIVE
- 58. TENSION ARM
- 59. BLADE
- 60. GAUGE WHEEL
- 61. MULTI KIT

GRASS CATCHER UNIT

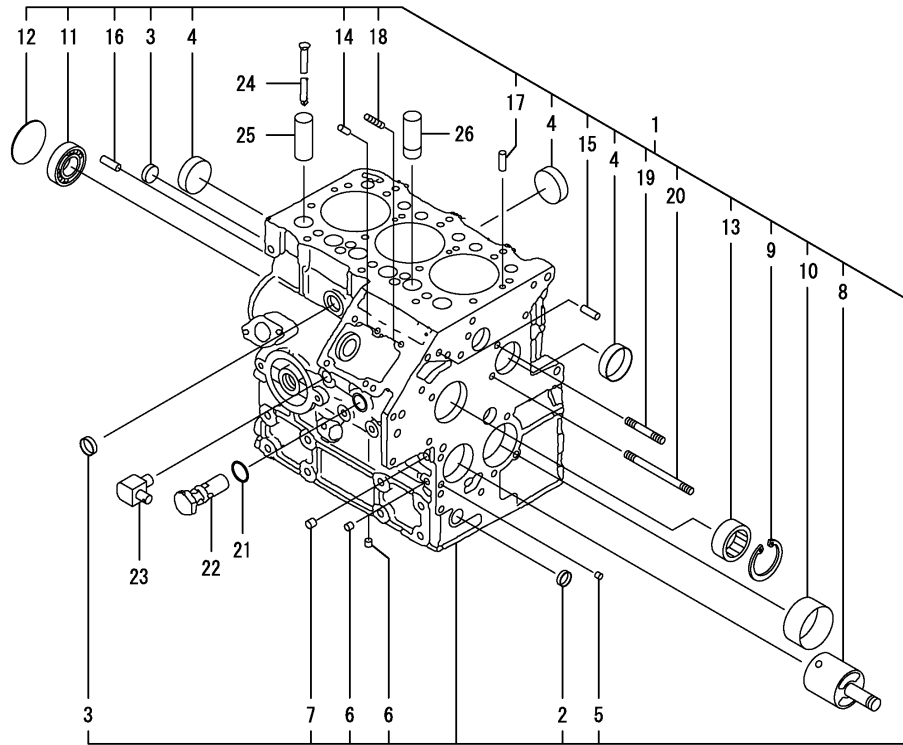
- 62. GC BAG
- 63. GC MOUNTING FRAME
- 64. GC FRAME
- 65. GC SENSOR
- 66. GC SWITCH LINK
- 67. GC BOTTOM PLATE
- 68. GC HYDRAULIC SWITCH

LABEL, TOOL & ACCESSORIES UNIT

- 69. LABELS(COMMON)
- 70. LABELS, SAFETY(EU)
- 71. ACCESSORIES

Fig.1. CYLINDER BLOCK

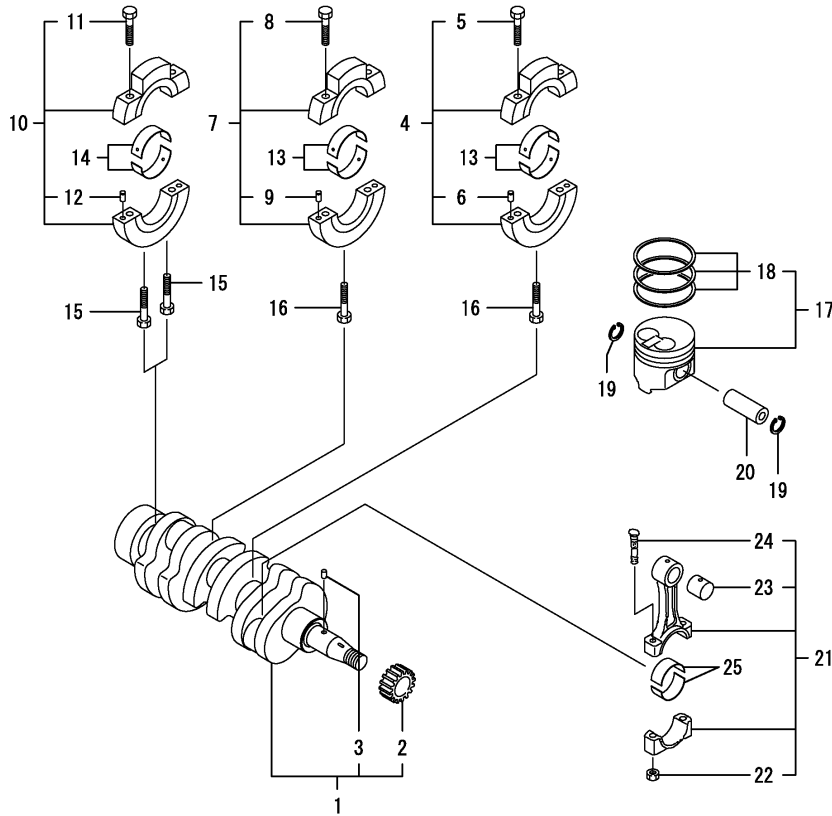
(A)=3TE67L-DUM (D)=
 (B)= (E)=
 (C)= (F)=



REF.	LEV.	PARTS NO.	DESCRIPTION	Q'TY						I	R
				(A)	(B)	(C)	(D)	(E)	(F)		
1	1	165000-73100	CYLINDER BLOCK COMPL	1							
2	2	165000-14490	SEALING CAP	1							
3	2	165000-14500	SEALING CAP	2							
4	2	165000-14520	SEALING CAP	4							
5	2	165000-15790	BLANK PLUG	1							
6	2	165000-15780	BLANK PLUG	5							
7	2	165000-23340	BLANK PLUG	4							
8	2	165000-15540	IDLE GEAR SHAFT COMP	1							
9	2	1W0365-09005	SNAP RING	1							
10	2	165000-73630	BUSH S.T.D.	1							
11	2	24101-062034	BALL BEARING	1							
12	2	27231-450000	PLUG 45	1							
13	2	165000-23310	NEEDLE BEARING	1							
14	2	1W0305-00512	DOWEL PIN	2							
15	2	1W0305-00616	DOWEL PIN	2							
16	2	1W0305-00820	PIN,KNOCK	2							
17	2	165000-23270	SPRING PIN	2							
18	2	1W0121-10620	STUD BOLT	2							
19	2	165000-23220	STUD BOLT	1							
20	2	165000-14430	STUD BOLD	1							
21	1	165000-48510	O-RING	1							
22	1	165000-15310	RELIEF VALVE ASSY	1							
23	1	165000-73640	ADAPTER	1							
24	1	165000-47500	PUSH ROD COMPL	6							
25	1	165000-14920	TAPPET	5							
26	1	165000-73270	TAPPET	1							

Fig.2. CRANKSHAFT,PISTON

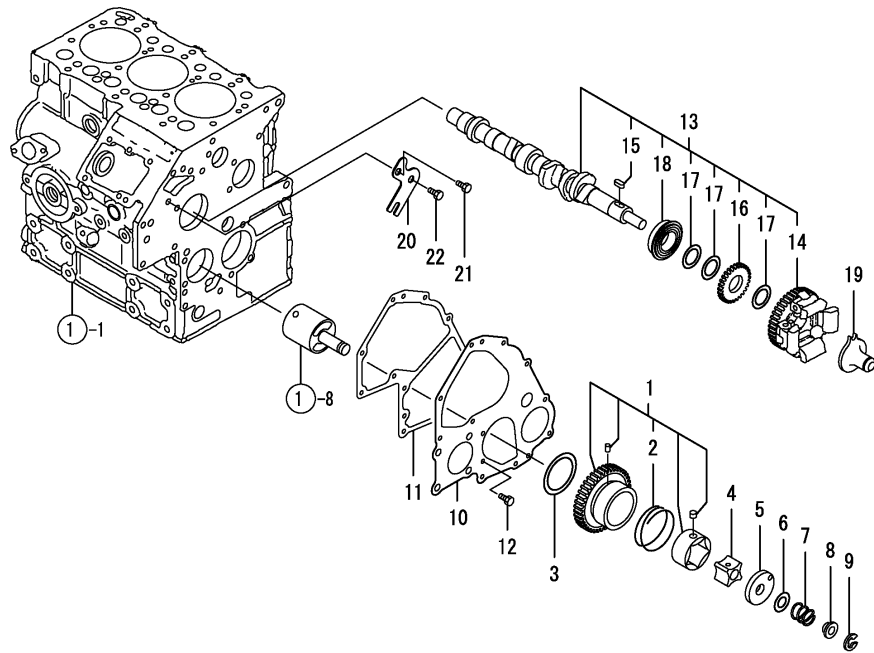
(A)=3TE67L-DUM (D)=
(B)= (E)=
(C)= (F)=



REF.	LEV.	PARTS NO.	DESCRIPTION	Q'TY						I R
				(A)	(B)	(C)	(D)	(E)	(F)	
1	1	165000-73210	CRANKSHAFT COMPL	1						
2	2	165000-14840	CRANK GEAR	1						
3	2	165000-23290	DOWEL PIN	1						
4	1	165000-73110	BEARING HOLDER ASSY	1						
5	2	1W0108-10845	BOLT 8X45	2						
6	2	165000-23280	DOWEL PIN	2						
7	1	165000-47530	BEARING HOLDER ASSY	1						
8	2	1W0108-10845	BOLT 8X45	2						
9	2	165000-23280	DOWEL PIN	2						
10	1	165000-47540	BEARING HOLDER ASSY	1						
11	2	1W0108-10850	BOLT	2						
12	2	165000-23280	DOWEL PIN	2						
13	1	165000-15910	METAL KIT;S.T.D	2						
14	1	165000-15890	METAL KIT;S.T.D	1						
15	1	1W0107-00845	BOLT	2						
16	1	26013-080502	BOLT M 8X 50	2						
17	1	165000-47550	PISTON KIT;S.T.D	3						
18	2	165000-47560	PISTON RING KIT;S.T.	3						
19	1	22252-000190	CIRCLIP 19	6						
20	1	165000-14850	PISTON PIN	3						
21	1	165000-47570	CONNECTING ROD ASSY	3						
22	2	165000-23250	NUT	6						
23	2	165000-15880	BUSH	3						
24	2	165000-14820	BOLT	6						
25	1	165000-15860	METAL;S.T.D	6						

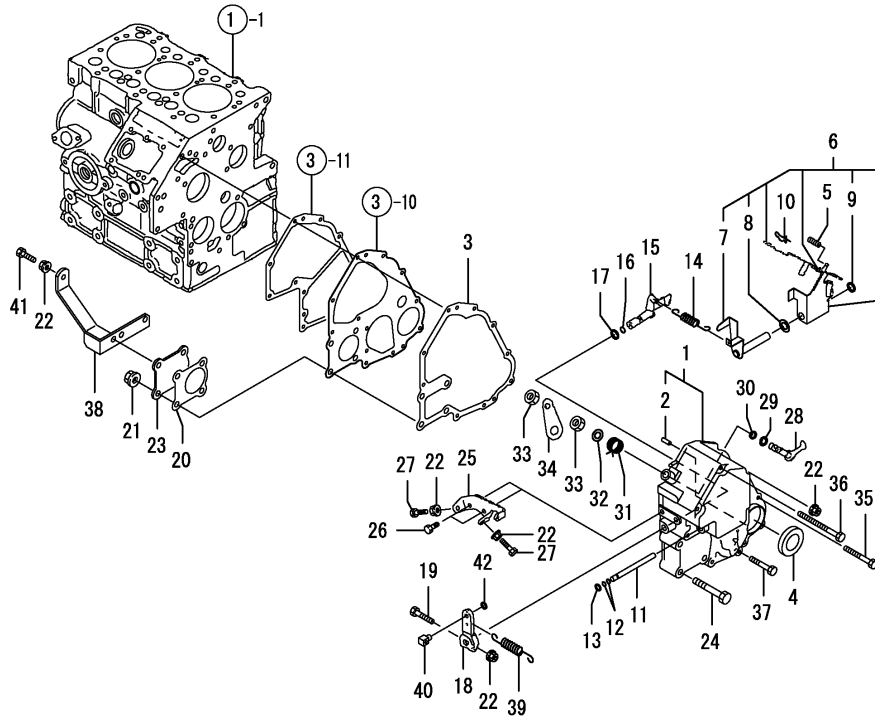
Fig.3. OIL PUMP,CAMSHAFT

(A)=3TE67L-DUM (D)=
 (B)= (E)=
 (C)= (F)=



REF.	LEV.	PARTS NO.	DESCRIPTION	Q'TY						I	R
				(A)	(B)	(C)	(D)	(E)	(F)		
1	1	165000-15500	IDLE GEAR ASSY	1							
2	2	165000-15690	SPRING	1							
3	1	165000-15980	THRUST WASHER	1							
4	1	165000-15340	ROTOR	1							
5	1	165000-15320	OIL PUMP COVER	1							
6	1	165000-16000	SHIM SET	1							
7	1	165000-15670	SPRING	1							
8	1	165000-15970	COLLAR	1							
9	1	22272-000100	CIRCLIP E-10	1							
10	1	165000-15520	FRONT PLATE	1							
11	1	165000-15550	GASKET	1							
12	1	1W0113-10612	BOLT	3							
13	1	165000-73250	CAMSHAFT ASSY	1							
14	2	165000-73240	GEAR	1							
15	2	1W0341-00508	KEY	1							
16	2	165000-15040	GEAR	1							
17	2	165000-15960	APACER	3							
18	2	165000-23300	BEARING	1							
19	1	165000-15100	SLIDER COMPL	1							
20	1	165000-16020	PLATE	1							
21	1	1W0113-10612	BOLT	1							
22	1	1W0107-00610	BOLT	1							

Fig.4. TIMING GEAR CASE,GOVERNOR

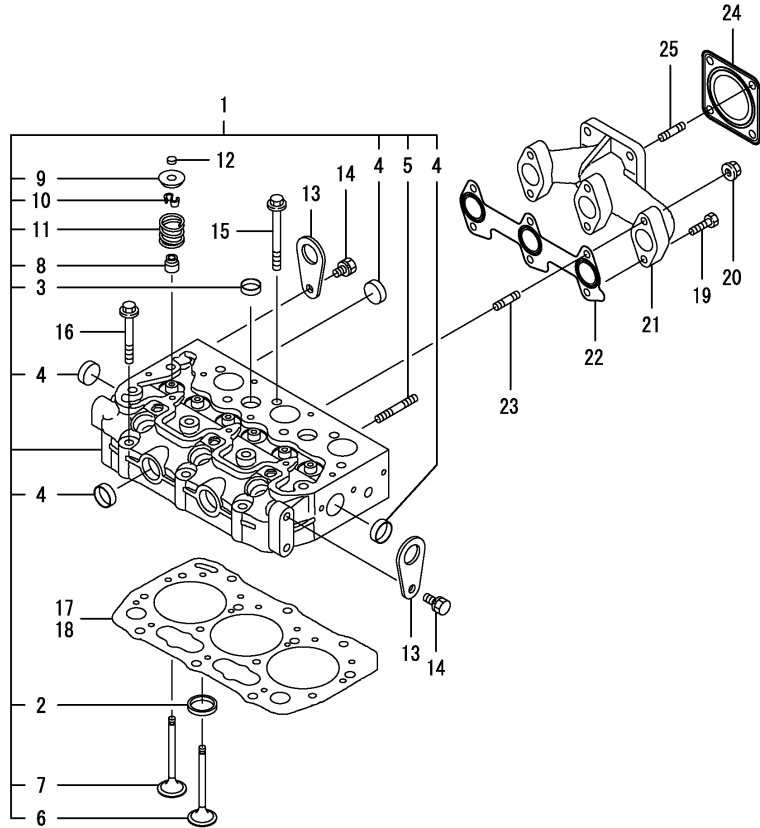


NPC-4677 4. TIMING GEAR CASE,GOVERNOR

(A)=3TE67L-DUM (D)=
(B)= (E)=
(C)= (F)=

REF.	LEV.	PARTS NO.	DESCRIPTION	Q'TY						I R
				(A)	(B)	(C)	(D)	(E)	(F)	
1	1	165000-15510	TIMING GEAR CASE COM	1						
2	2	1W0303-00414	PIN	1						
3	1	165000-15560	GASKET	1						
4	1	165000-15940	OIL SEAL	1						
5	1	165000-15740	SPRING PIN	1						
6	1	165000-73300	GOVERNOR LEVER ASSY	1						
7	2	165000-15110	GOVERNOR LEVER ASSY	1						
8	2	22117-100000	WASHER 10	1						
9	2	22272-000080	CIRCLIP E- 8	1						
10	1	22372-040000	SNAP PIN 4	1						
11	1	165000-15060	SHAFT	1						
12	1	165000-14450	O-RING	2						
13	1	22272-000050	CIRCLIP E- 5	1						
14	1	165000-47930	SPRING	1						
15	1	165000-15070	ARM COMPL	1						
16	1	165000-14470	O-RING	1						
17	1	22272-000080	CIRCLIP E- 8	1						
18	1	165000-73310	SPEED LEVER	1						
19	1	1W0101-10630	BOLT	1						
20	1	165000-15570	GASKET	1						
21	1	26367-080002	U-NUT M 8	4						
22	1	26367-060002	NUT M 6	5						
23	1	165000-15530	COVER	1						
24	1	26116-080552	BOLT 8X55	4						
25	1	165000-15130	ATAY	1						
26	1	1W0113-10614	BOLT M 6X 25	2						
27	1	165000-23170	BOLT	2						
28	1	165000-15080	ARM COMPL	1						
29	1	22272-000060	CIRCLIP E- 6	1						
30	1	165000-14460	O-RING	1						
31	1	165000-15680	SPRING	1						
32	1	22117-080000	WASHER 8	1						
33	1	26757-080002	LOCK NUT M 8 PLATED	2						
34	1	165000-15090	ATOP LEVER	1						
35	1	165000-14410	BOLT	2						
36	1	165000-14420	BOLT	2						
37	1	1W0113-10640	BOLT	4						
38	1	165000-73600	STAY	1						
39	1	1W3982-10070	SPRING	1						
40	1	165000-73320	WIRE HOLDER	1						
41	1	165000-73650	BOLT	1						
42	1	22272-000050	CIRCLIP E- 5	1						

Fig.5. CYLINDER HEAD,EXHAUST MANIFOLD



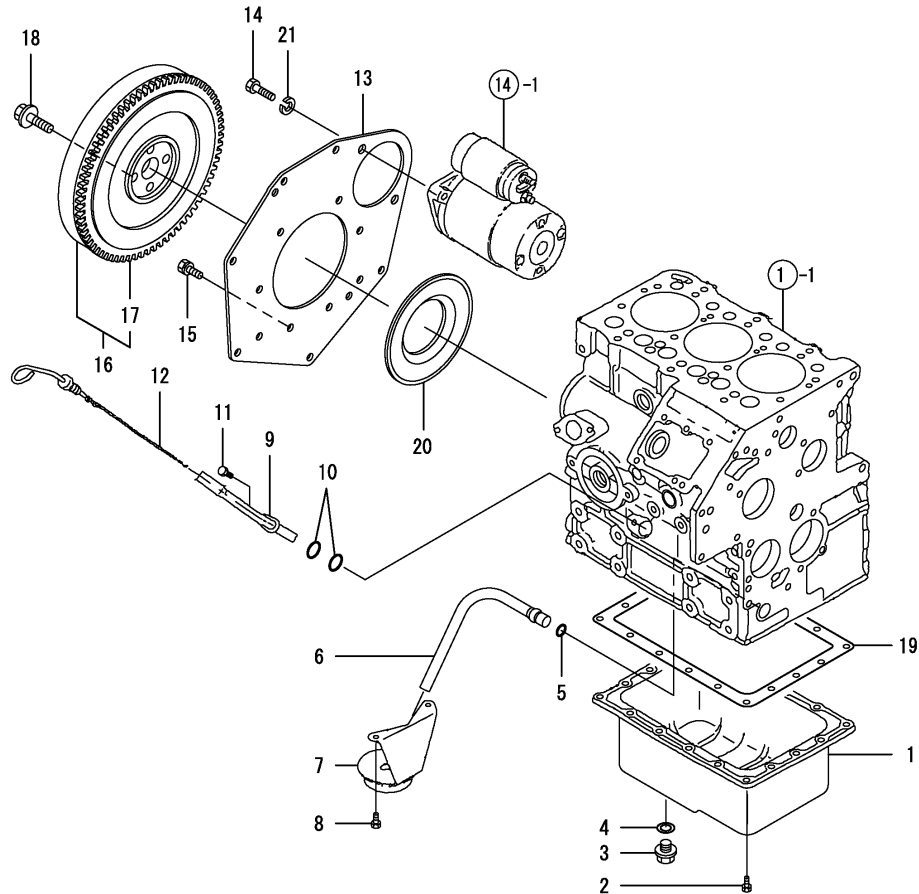
NPC-4677 5. CYLINDER HEAD,EXHAUST MANIFOLD

(A)=3TE67L-DUM (D)=
(B)= (E)=
(C)= (F)=

REF.	LEV.	PARTS NO.	DESCRIPTION	Q'TY						I	R
				(A)	(B)	(C)	(D)	(E)	(F)		
1	1	165000-73160	CYLINDER HEAD ASSY	1							
2	2	165000-47800	VALVE SEAT;IN	3							
3	2	165000-14500	SEALING CAP	2							
4	2	165000-14510	SEALING CAP	6							
5	2	165000-73070	STUD BOLT	1							
6	2	165000-47810	VALVE;IN	3							
7	2	165000-14940	VALVE;EX	3							
8	2	165000-15020	VALVE GUIDE SEAL	6							
9	2	165000-14950	RERAINER	6							
10	2	165000-14970	COTTER	12							
11	2	165000-15700	SPRING	6							
12	1	165000-14960	VALVE CAP	6							
13	1	1W1958-16540	HANGER	2							
14	1	26013-080162	BOLT W/WASHER M8X16	2							
15	1	165000-14710	HEAD BOLT	11							
16	1	165000-14720	HEAD BOLT	3							
17	1	165000-73170	GASKET HEAD t=1.2	1							
18	1	165000-73180	GASKET HEAD t=1.3	1							
19	1	1W0113-10625	BOLT	4							
20	1	26367-060002	NUT M 6	2							
21	1	165000-73470	MANIFOLD EXHAUST	1							
22	1	165000-73480	GASKET	1							
23	1	1W0121-10625	STUD BOLT	2							
24	1	165000-23350	GASKET	1							
25	1	1W0121-10820	STUD BOLT	4							

Fig.6. OIL PAN,FLYWHEEL

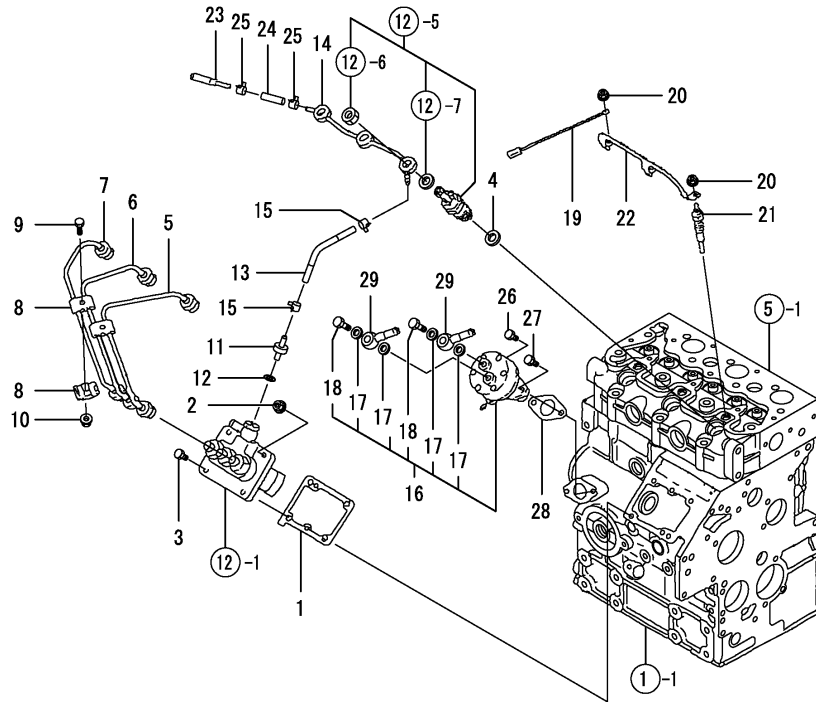
(A)=3TE67L-DUM (D)=
 (B)= (E)=
 (C)= (F)=



REF.	LEV.	PARTS NO.	DESCRIPTION	Q'TY						I	R
				(A)	(B)	(C)	(D)	(E)	(F)		
1	1	165000-73130	OIL PAN COMPL	1							
2	1	165000-23160	BOLT	18							
3	1	1W0104-11212	BOLT	2							
4	1	22190-120000	SEAL WASHER 12(BOLT)	2							
5	1	1W0521-09076	O-RING 1A P-11.0	1							
6	1	165000-73520	OIL PIPE	1							
7	1	165000-73500	SUCTION FILTER COMPL	1							
8	1	1W0113-10612	BOLT	2							
9	1	165000-73140	GAUGE GUIDE COMPL	1							
10	1	165000-14480	O-RING	2							
11	1	1W0113-10612	BOLT	1							
12	1	165000-73620	GAUGE	1							
13	1	165000-14600	REAR PLATE	1							
14	1	26156-100252	BOLT M10X 25 PLATED	2							
15	1	26013-080162	BOLT W/WASHER M8X16	10							
16	1	165000-73220	FLYWHEEL COMPL	1							
17	2	165000-14870	RING GEAR	1							
18	1	165000-23180	BOLT	4							
19	1	165000-73150	GASKET	1							
20	1	165000-15930	OIL SEAL	1							
21	1	22217-100000	SPRING WASHER 10	2							

Fig.7. INJECTION PUMP,INJECTOR

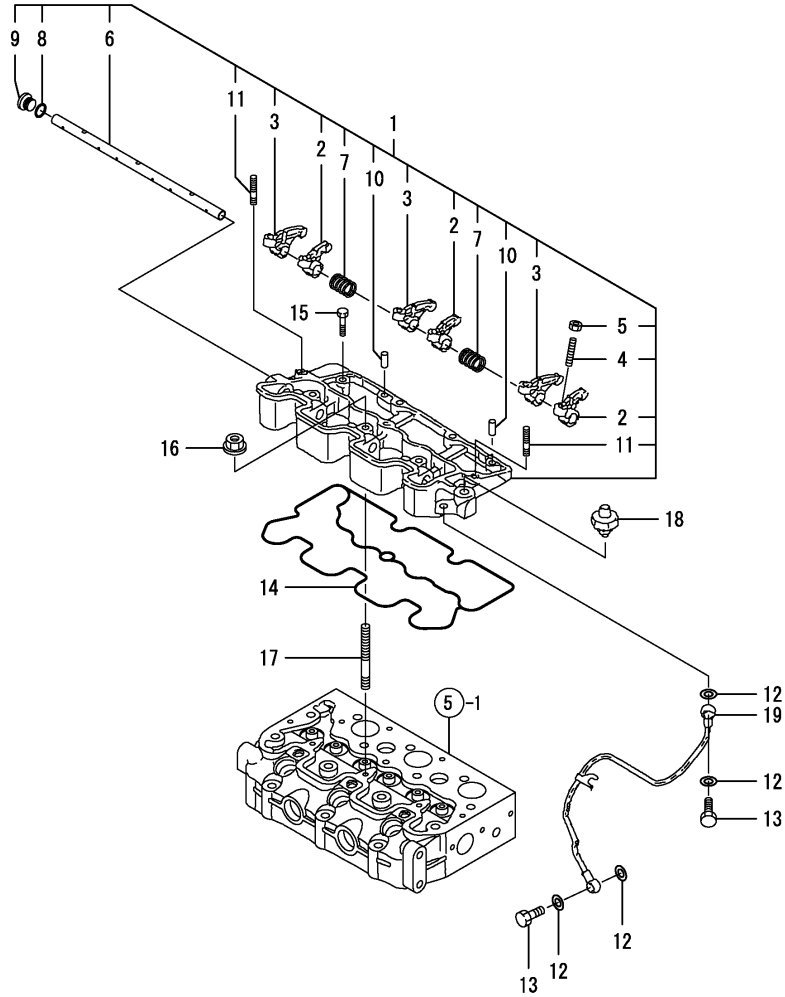
(A)=3TE67L-DUM (D)=
(B)= (E)=
(C)= (F)=



REF.	LEV.	PARTS NO.	DESCRIPTION	Q'TY						I	R
				(A)	(B)	(C)	(D)	(E)	(F)		
1	1	165000-73430	SHIM SET	1							
2	1	26367-060002	NUT M 6	2							
3	1	1W0113-10620	BOLT	2							
4	1	165000-15240	GASKET	3							
5	1	165000-47990	INJECTION PIPE	1							
6	1	165000-48000	INJECTION PIPE	1							
7	1	165000-73440	INJECTION PIPE COMPL	1							
8	1	165000-59800	CLAMP ASSY	4							
9	1	1W0101-10625	BOLT	2							
10	1	26367-060002	NUT M 6	2							
11	1	165000-47950	CONNECTOR	1							
12	1	1W0251-00006	SEAL WASHER	1							
13	1	165000-73080	HOSE	1							
14	1	165000-73450	RETURN PIPE COMPL	1							
15	1	1W0672-00078	HOSE CLIP	2							
16	1	165000-15160	FEED PUMP ASSY	1							
17	2	165000-15170	GASKET	4							
18	2	165000-15180	JOINT BOLT	2							
19	1	165000-15640	WIRE HARNESS	1							
20	1	26367-040002	NUT 4	3							
21	1	165000-47870	GLOW PLUG	3							
22	1	165000-73590	CONNECTOR	1							
23	1	165000-15830	PIPE COMPL	1							
24	1	165000-73090	HOSE	1							
25	1	1W0672-00078	HOSE CLIP	2							
26	1	1W0113-10616	BOLT	1							
27	1	1W0113-10614	BOLT M 6X 25	1							
28	1	165000-15200	GASKET;FEED PUMP	1							
29	1	165000-15820	EYE CPMP	2							

Fig.8. ROCKER ARM

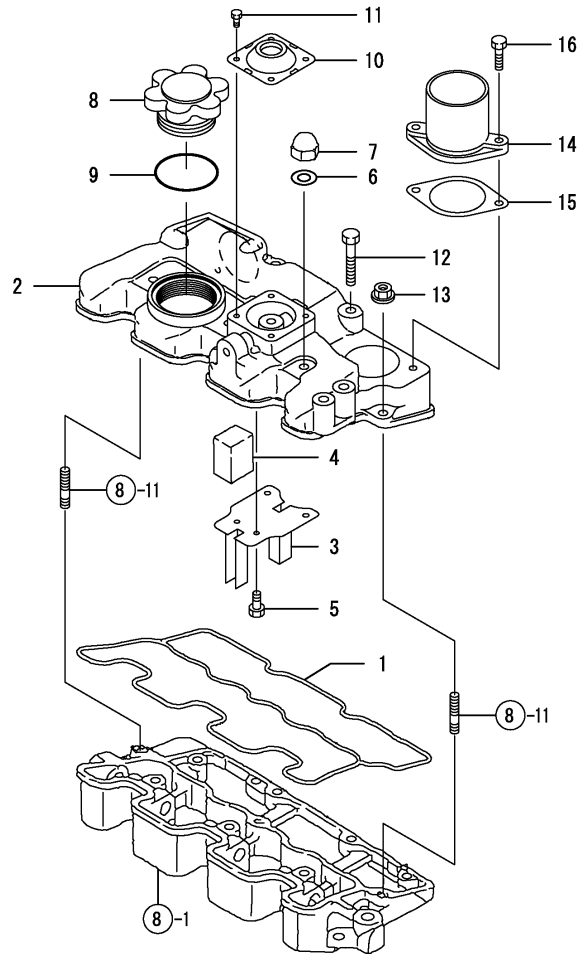
(A)=3TE67L-DUM (D)=
 (B)= (E)=
 (C)= (F)=



REF.	LEV.	PARTS NO.	DESCRIPTION	Q'TY						I	R
				(A)	(B)	(C)	(D)	(E)	(F)		
1	1	165000-73260	ROCKER ARM ASSY	1							
2	2	165000-47630	ROCKER ARM COMPL;IN	3							
3	2	165000-47620	ROCKER ARM COMPL;EX	3							
4	2	165000-16010	SCREW	6							
5	2	165000-23240	NUT	6							
6	2	165000-73280	ROCKER ARM SHAFT	1							
7	2	165000-47640	SPRING	2							
8	2	24311-000100	O-RING 1A P-10.0	1							
9	2	165000-47660	PLUG	1							
10	2	22351-040016	SPRING PIN 4X16	2							
11	2	1W0121-10620	STUD BOLT	2							
12	1	165000-15400	GASKET;M8	4							
13	1	165000-15810	BOLT	2							
14	1	165000-73290	GASKET	1							
15	1	1W0113-10625	BOLT	3							
16	1	26367-060002	NUT M 6	3							
17	1	165000-48270	STUD BOLT	3							
18	1	165000-15610	OIL PRESSURE SWITCH	1							
19	1	165000-73510	OIL PIPE COMPL	1							

Fig.9. HEAD COVER

(A)=3TE67L-DUM (D)=
 (B)= (E)=
 (C)= (F)=



REF.	LEV.	PARTS NO.	DESCRIPTION	Q'TY						I	R
				(A)	(B)	(C)	(D)	(E)	(F)		
1	1	165000-73200	GASKET	1							
2	1	165000-73190	HEAD COVER	1							
3	1	165000-47720	PLATE	1							
4	1	165000-73120	FILTER	1							
5	1	22857-400061	SCREW	4							
6	1	165000-47780	GASKET;M6	3							
7	1	165000-48280	CAP NUT	3							
8	1	165000-15760	CAP	1							
9	1	24311-000400	O-RING 1A P-40.0	1							
10	1	165000-47760	VALVE	1							
11	1	165000-48320	BOLT	4							
12	1	1W0113-10670	BOLT	3							
13	1	26367-060002	NUT M 6	2							
14	1	165000-73460	AIR INTAKE	1							
15	1	165000-73490	GASKET	1							
16	1	1W0113-10620	BOLT	2							

Fig.10. WATER PUMP,THERMOSTAT CASE

(A)=3TE67L-DUM (D)=
 (B)= (E)=
 (C)= (F)=

REF.	LEV.	PARTS NO.	DESCRIPTION	Q'TY						I	R
				(A)	(B)	(C)	(D)	(E)	(F)		
1	1	165000-15410	WATER PUMP ASSY	1							
2	1	165000-15480	GASKET;SET PLATE	1							
3	1	165000-15420	SET PLATE	1							
4	1	165000-15470	GASKET;WATER PUMP	1							
5	1	26367-060002	NUT M 6	2							
6	1	1W0113-10635	BOLT	3							
7	1	1W0113-10650	BOLT	6							
8	1	165000-15440	THERMOSTAT CASE	1							
9	1	165000-15490	GASKET;THERMO CASE	1							
10	1	165000-15430	THERMOSTAT	1							
11	1	22190-160000	SEAL WASHER 16(BOLT)	1							
12	1	165000-73560	SOLENOID	1							
13	1	165000-15730	SPRING	1							
14	1	165000-16030	SENSOR;THERMO SWITCH	1							
15	1	165000-16040	BOLT	1							
16	1	22190-160000	SEAL WASHER 16(BOLT)	1							

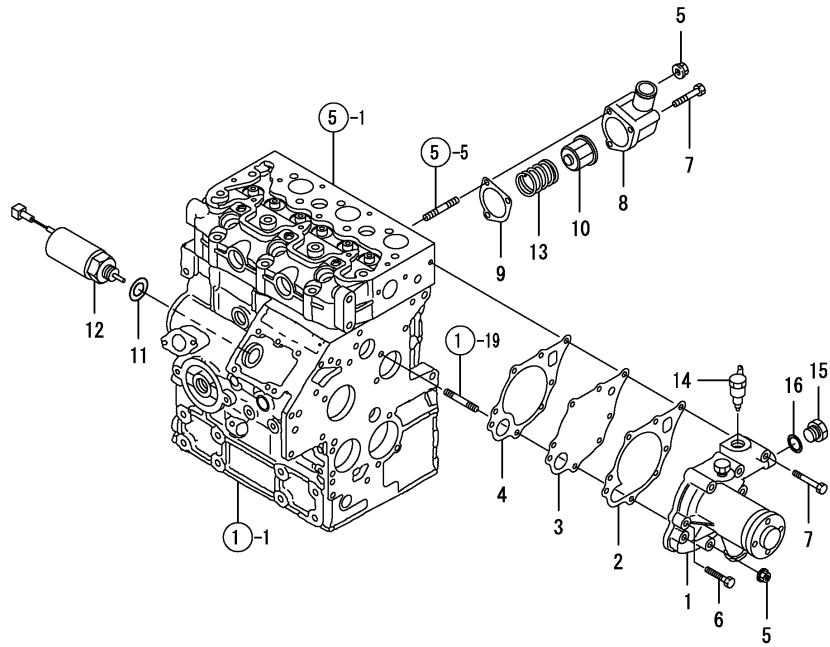


Fig.11. COOLING FAN,OIL FILTER

(A)=3TE67L-DUM (D)=
 (B)= (E)=
 (C)= (F)=

REF.	LEV.	PARTS NO.	DESCRIPTION	Q'TY						I R
				(A)	(B)	(C)	(D)	(E)	(F)	
1	1	165000-73230	CRANKSHAFT PULLEY	1						
2	1	26787-180002	LOCK NUT M18	1						
3	1	1W0341-00508	KEY	1						
4	1	165000-15460	FAN PULLEY	1						
5	1	165000-73540	FAN	1						
6	1	1W0113-10620	BOLT	4						
7	1	165000-23330	V-BELT	1						
8	1	165000-15650	ADJUSTING PLATE	1						
9	1	165000-15370	JOINT	1						
10	1	165000-15360	OIL FILTER COMPL	1						
11	1	165000-73530	PLATE	1						
12	1	26116-080502	BOLT M 8X 50 PLATED	1						
13	1	26117-080304	BOLT M 8X 30 PLATED	1						
14	1	1W0261-09011	WASHER	1						
15	1	22217-080000	SPRING WASHER 8	1						
16	1	26367-080002	U-NUT M 8	2						
17	1	26013-080162	BOLT W/WASHER M8X16	1						

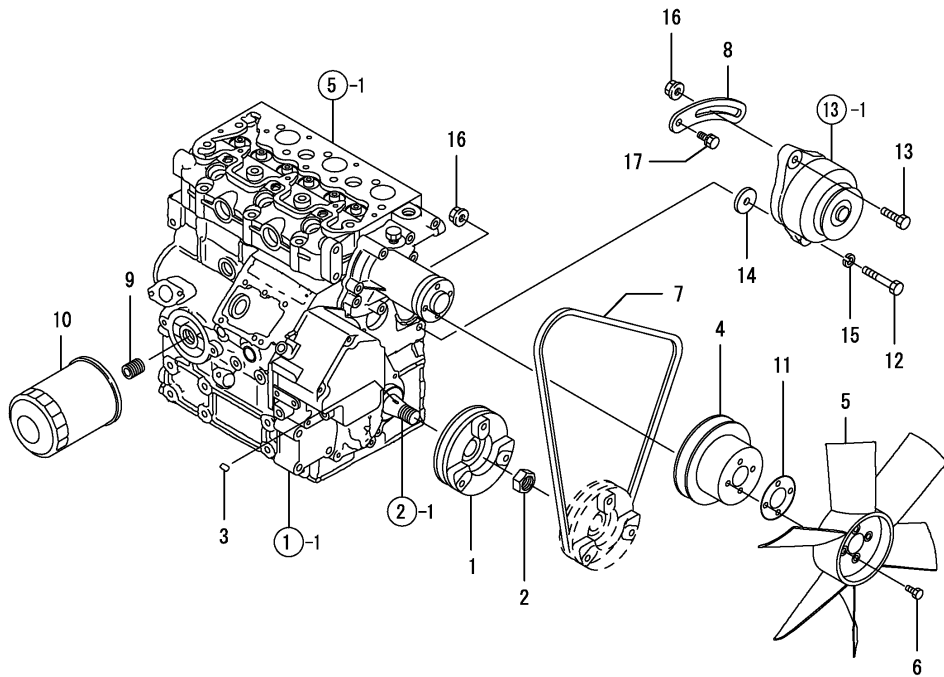


Fig.13. ALTERNATOR ASSY

(A)=3TE67L-DUM (D)=
 (B)= (E)=
 (C)= (F)=

REF.	LEV.	PARTS NO.	DESCRIPTION	Q'TY						I	R
				(A)	(B)	(C)	(D)	(E)	(F)		
1	1	165000-15580	ALTERNATOR ASSY	1							
2	2	24107-062014	BALL BEARING	2							
3	2	165000-23260	NUT	1							
4	2	22217-100000	SPRING WASHER 10	1							
5	2	22137-100000	WASHER 10,POLISHED	1							
6	2	26022-040082	SCREW M 4X 8	1							
7	2	26022-040252	SCREW M 4X 25	2							

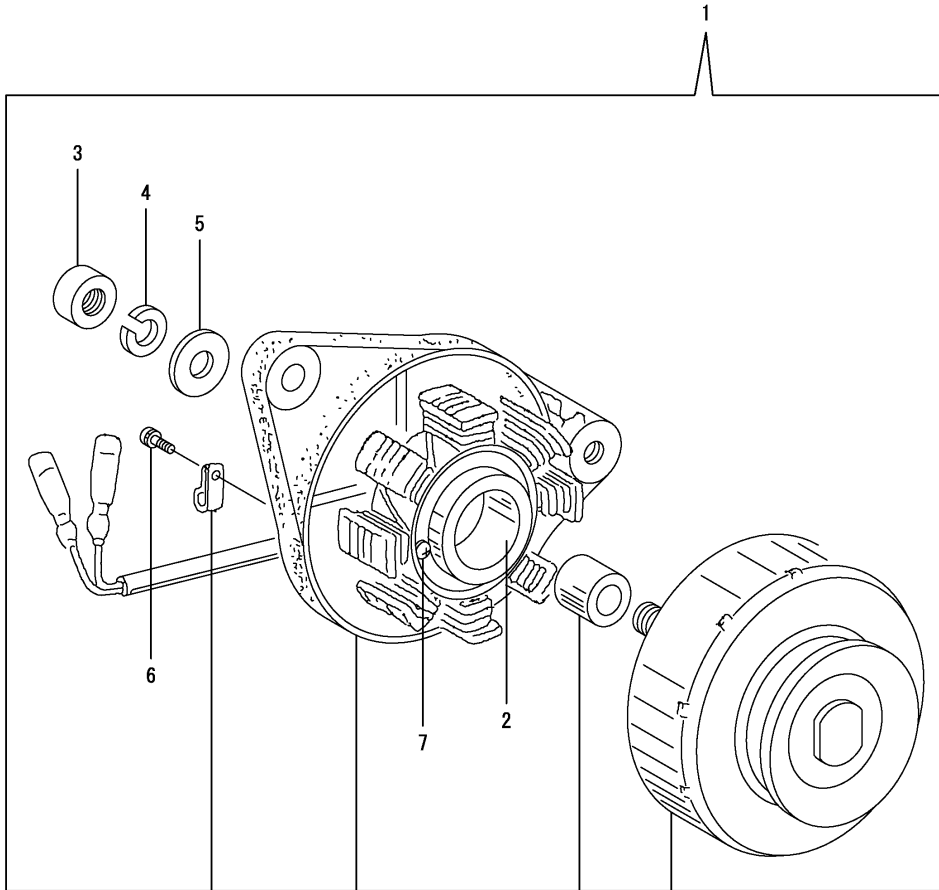
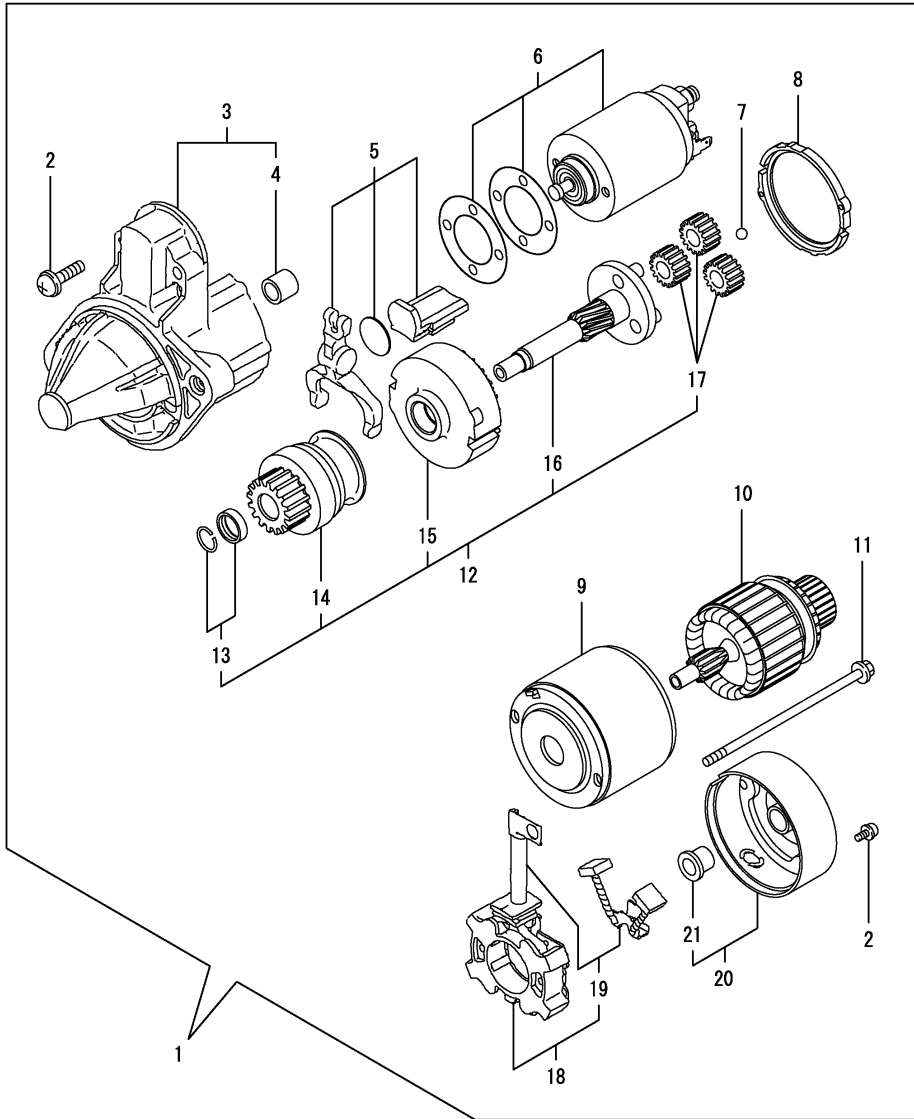


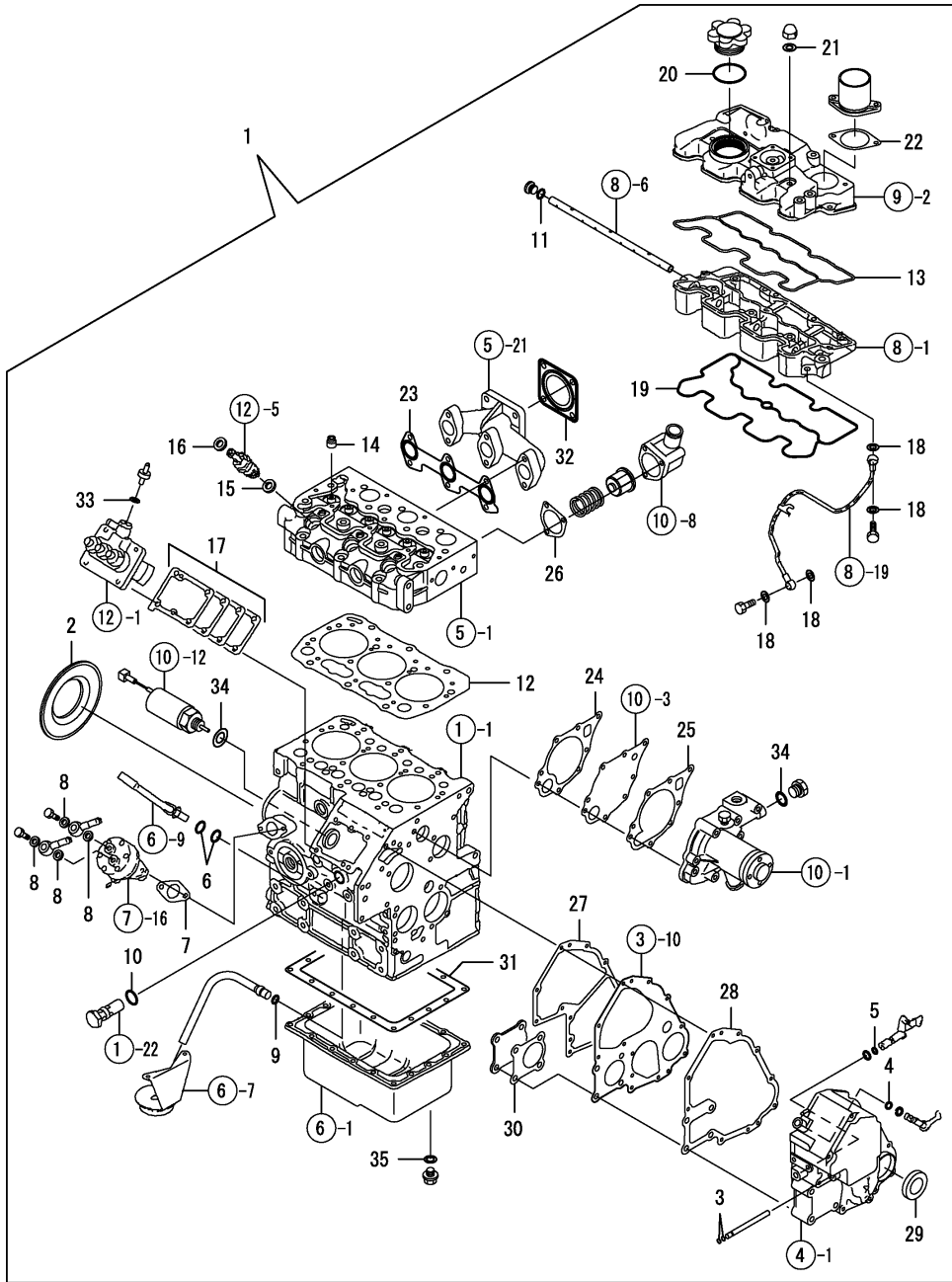
Fig.14. STARTING MOTOR ASSY

(A)=3TE67L-DUM (D)=
 (B)= (E)=
 (C)= (F)=



REF.	LEV.	PARTS NO.	DESCRIPTION	Q'TY						I	R
				(A)	(B)	(C)	(D)	(E)	(F)		
1	1	165000-47590	STARTING MOTOR ASSY	1							
2	2	165000-16100	SET-SCREW	1							
3	2	165000-48060	FRONT BRACKET	1							
4	3	165000-16050	BUSHING-FRONT	1							
5	2	165000-48070	LEVER SET	1							
6	2	165000-48080	SWITCH ASSY	1							
7	2	1W1858-46616	BALL,STEEL	1							
8	2	165000-48090	PACKING	1							
9	2	165000-48100	YOKE ASSY	1							
10	2	165000-48110	ARMATURE	1							
11	2	165000-16090	THROUGH BOLT	2							
12	2	165000-48120	SHAFT ASSY CLUTCH SE	1							
13	3	165000-48130	STOPPER	1							
14	3	165000-48140	OVERRUNNING CLUTCH	1							
15	3	165000-48150	INTERNAL GEAR	1							
16	3	165000-48160	GEAR SHAFT	1							
17	3	165000-48170	GEAR ASSY	3							
18	2	165000-48180	BRUSHES HOLDER	1							
19	3	165000-48190	BRUSHES SET	1							
20	2	165000-48200	REAR BRACKET	1							
21	3	165000-48210	BUSHING-REAR	1							

Fig.15. GASKET KIT

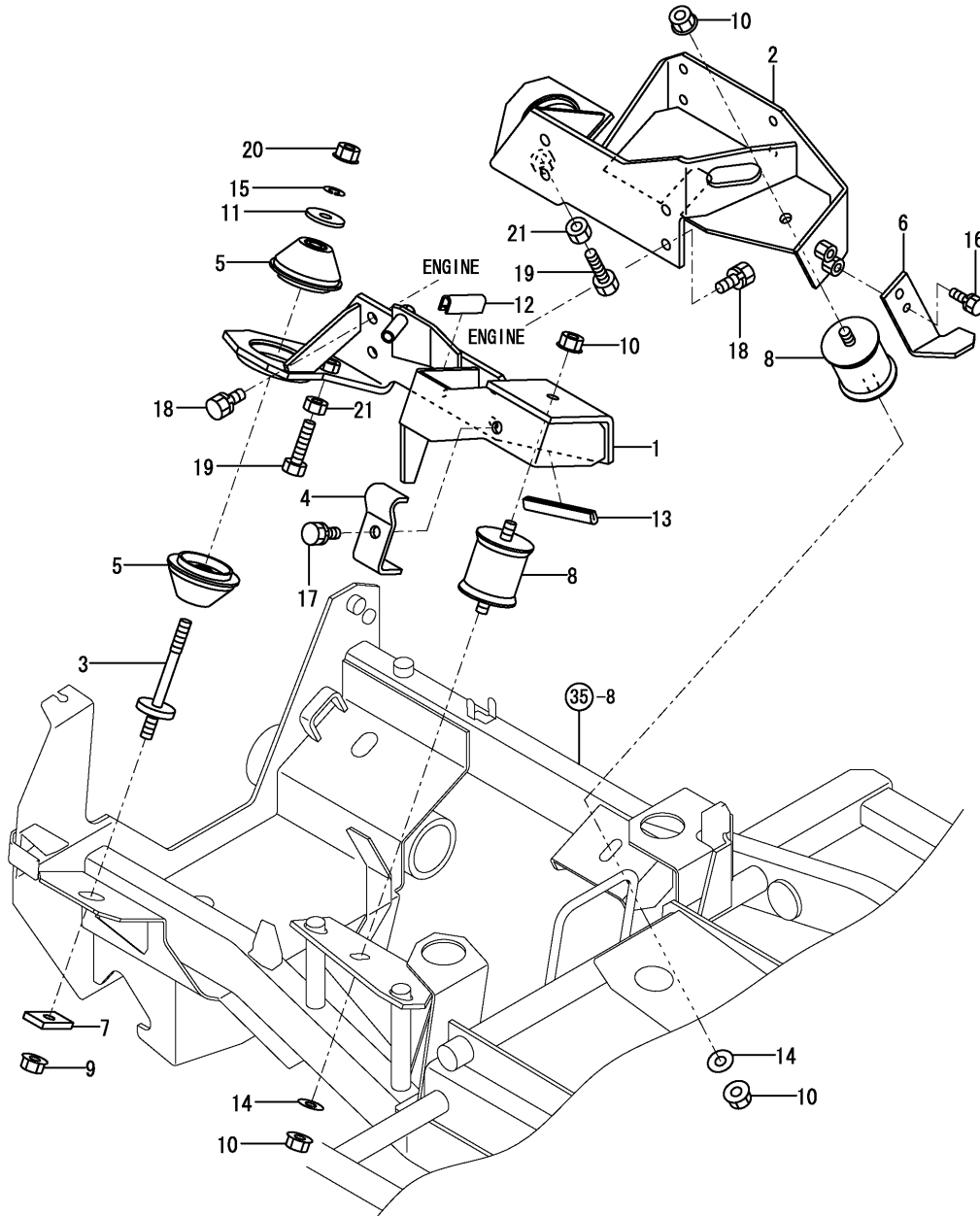


NPC-4677 15. GASKET KIT

(A)=3TE67L-DUM (D)=
 (B)= (E)=
 (C)= (F)=

REF.	LEV.	PARTS NO.	DESCRIPTION	Q'TY						I R
				(A)	(B)	(C)	(D)	(E)	(F)	
1	1	165000-73610	GASKET KIT	1						
2	2	165000-15930	OIL SEAL	1						
3	2	165000-14450	O-RING	2						
4	2	165000-14460	O-RING	1						
5	2	165000-14470	O-RING	1						
6	2	165000-14480	O-RING	2						
7	2	165000-15200	GASKET;FEED PUMP	1						
8	2	165000-15170	GASKET	4						
9	2	1W0521-09076	O-RING 1A P-11.0	1						
10	2	165000-48510	O-RING	1						
11	2	24311-000100	O-RING 1A P-10.0	1						
12	2	165000-73180	GASKET HEAD t=1.3	1						
13	2	165000-73200	GASKET	1						
14	2	165000-15020	VALVE GUIDE SEAL	6						
15	2	165000-15240	GASKET	3						
16	2	165000-48230	GASKET	3						
17	2	165000-73430	SHIM SET	1						
18	2	165000-15400	GASKET;M8	4						
19	2	165000-73290	GASKET	1						
20	2	24311-000400	O-RING 1A P-40.0	1						
21	2	165000-47780	GASKET;M6	3						
22	2	165000-73490	GASKET	1						
23	2	165000-73480	GASKET	1						
24	2	165000-15470	GASKET;WATER PUMP	1						
25	2	165000-15480	GASKET;SET PLATE	1						
26	2	165000-15490	GASKET;THERMO CASE	1						
27	2	165000-15550	GASKET	1						
28	2	165000-15560	GASKET	1						
29	2	165000-15940	OIL SEAL	1						
30	2	165000-15570	GASKET	1						
31	2	165000-73150	GASKET	1						
32	2	165000-23350	GASKET	1						
33	2	1W0251-00006	SEAL WASHER	1						
34	2	22190-160000	SEAL WASHER 16(BOLT)	2						
35	2	22190-120000	SEAL WASHER 12(BOLT)	1						

Fig.1. ENGINE MOUNT

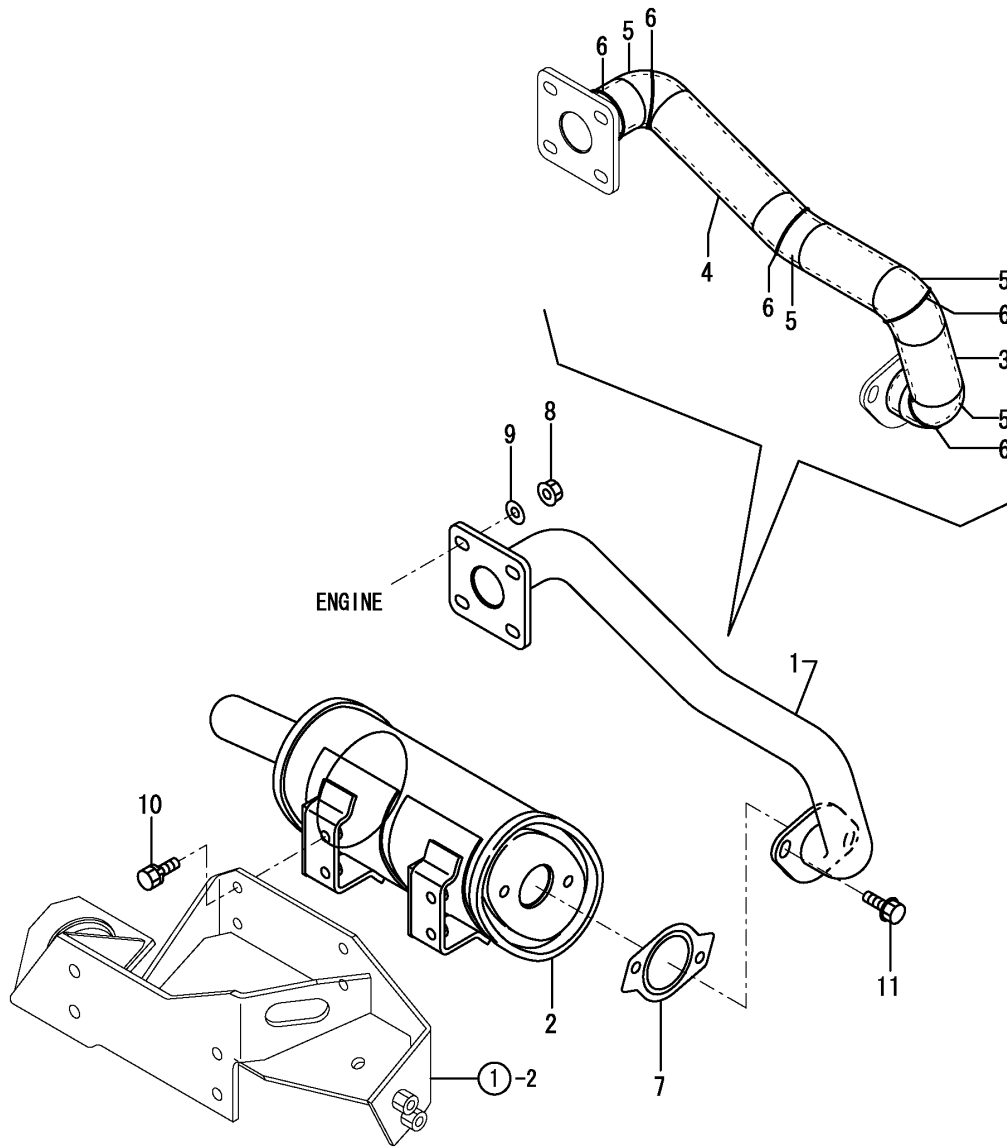


NPC-4678 1. ENGINE MOUNT

(A)=RD18
(B)=
(C)= (D)=
(E)=
(F)=

REF.	LEV.	PARTS NO.	DESCRIPTION	Q'TY						I	R
				(A)	(B)	(C)	(D)	(E)	(F)		
1	1	1A7550-00700	STAY CMP L	1							
2	1	1A7550-00750	STAY CMP R	1							
3	1	1A7550-00820	SHAFT,CUSHION CMP								
4	1	1A7550-00840	STOPPER L	1							
5	1	1A7550-00850	CUSHION RUBBER	4							
6	1	1A7550-00860	STOPPER R	1							
7	1	1A7550-00870	PLATE F	2							
8	1	1D1300-21911	RUBBER, CUSHION	2							
9	1	194990-22060	NUT, M10	2							
10	1	194990-22060	NUT, M10	4							
11	1	194130-22370	WASHER 10	2							
12	1	195616-24930	TRIM	1							
13	1	198220-62890	STOPPER	1							
14	1	22137-100000	WASHER 10,POLISHED	2							
15	1	22212-100000	WASHER, 10	2							
16	1	26013-080202	BOLT W/WASHER M8X20	2							
17	1	26013-100202	BOLT W/WASHER M10X20	1							
18	1	26013-100202	BOLT W/WASHER M10X20	8							
19	1	26116-100404	BOLT M10X 40 PLATED	2							
20	1	26346-100002	U-NUT M10 PLATED	2							
21	1	26716-100002	NUT 10	2							

Fig.2. SILENCER

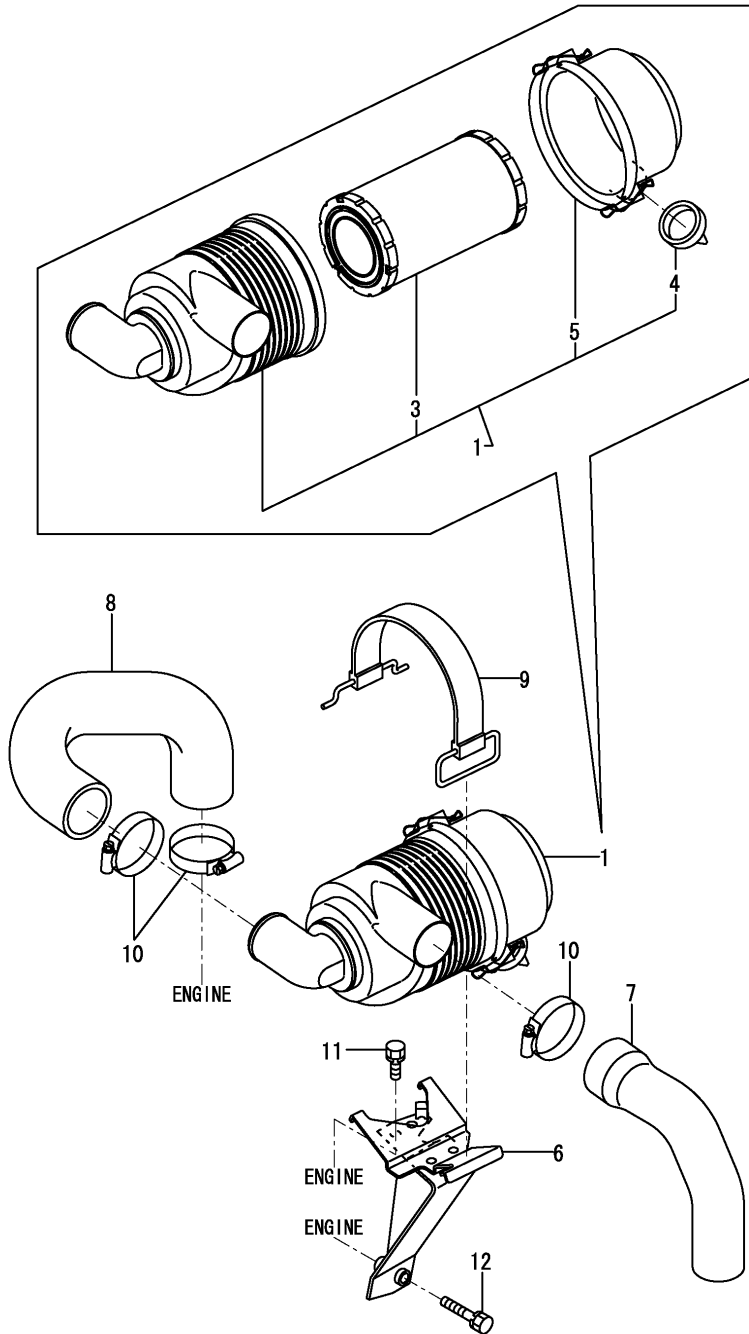


(A)=RD18
(B)=
(C)= (D)=
(E)=
(F)=

REF.	LEV.	PARTS NO.	DESCRIPTION	Q'TY						I	R
				(A)	(B)	(C)	(D)	(E)	(F)		
1	1	1A7550-00300	PIPE,SILENCER	1							
2	1	1A7550-00350	SILENCER	1							
3	1	1A7550-00370	GLASS MAT A	1							
4	1	1A7550-00380	GLASS MAT B	1							
5	1	1A7550-00390	TAPE,ALUMINUM	4							
6	1	1A7550-00410	WIRE,COPPER	5							
7	1	129052-13550	GASKET,NOZZLE	1							
8	1	194990-22050	NUT W/WASHER 8	4							
9	1	22137-080000	WASHER 8, POLISHED	4							
10	1	26016-080202	BOLT M 8X 20	4							
11	1	26106-080252	BOLT M 8X 25 PLATED	2							

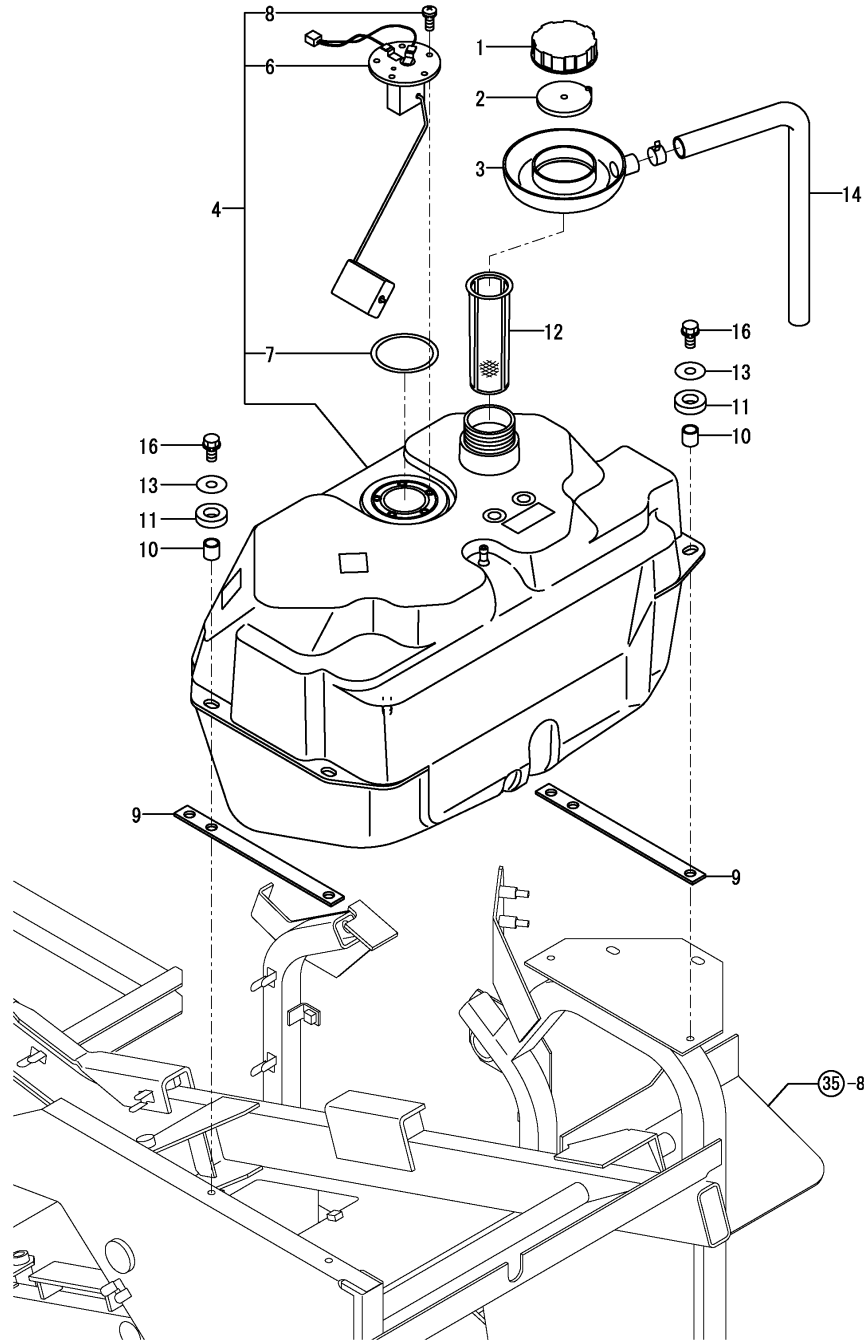
Fig.3. AIR CLEANER

(A)=RD18
(B)=
(C)= (D)=
(E)=
(F)=



REF.	LEV.	PARTS NO.	DESCRIPTION	Q'TY						I	R
				(A)	(B)	(C)	(D)	(E)	(F)		
1	1	1A7550-01300	CLEANER CMP, AIR	1							
3	2	119515-12520	ELEMENT 4,CLEANER	1							
4	2	119808-12540	VALVE, UNLOADER	1							
5	2	119686-12570	COVER ASSY	1							
6	1	1A7550-01310	STAY, AIR CLEANER	1							
7	1	1A7550-01350	HOSE(A), AIR INTAKE	1							
8	1	1A7550-01360	HOSE(B), AIR INTAKE	1							
9	1	119865-12600	STAY	1							
10	1	23000-054000	CLAMP 54	3							
11	1	26016-080202	BOLT M 8X 20	2							
12	1	26016-080402	BOLT M 8X 40	1							

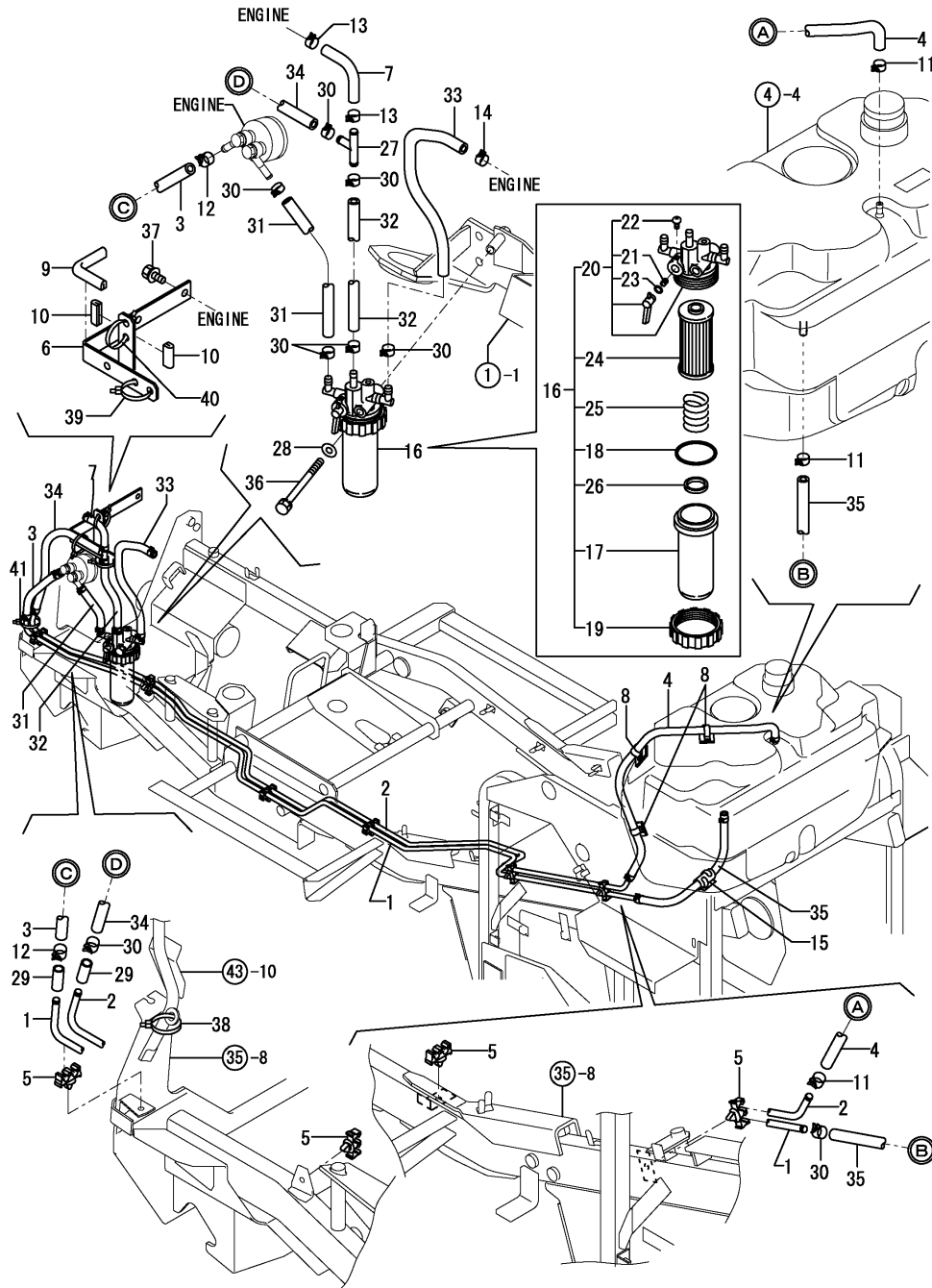
Fig.4. FUEL TANK



(A)=RD18
(B)=
(C)= (D)=
(E)=
(F)=

REF.	LEV.	PARTS NO.	DESCRIPTION	Q'TY						I R
				(A)	(B)	(C)	(D)	(E)	(F)	
1	1	1C6900-02010	CAP, TANK	1						
2	1	1C6900-02050	SEAL, RUBBER	1						
3	1	1C6860-02300	PAN,FUEL	1						
4	1	1A7550-03000	FUEL TANK CMP	1						
6	2	1A7550-08361	GAUGE,FUEL CMP	1						
7	2	198200-56630	GASKET, FUEL GAUGE	1						
8	2	26022-050122	SCREW M 5X 12	5						
9	1	1A7550-03180	RUBBER 214X18X3	2						
10	1	194215-04220	SPACER 8X10X10	4						
11	1	194420-62260	CUSHION	4						
12	1	1E6070-81360	FILTER	1						
13	1	22157-060000	WASHER 6	4						
14	1	23061-100470	HOSE 10* 470	1						
15	1	23080-013000	CLAMP 13,HOSE	1						
16	1	26013-060252	BOLT M 6X 25	4						

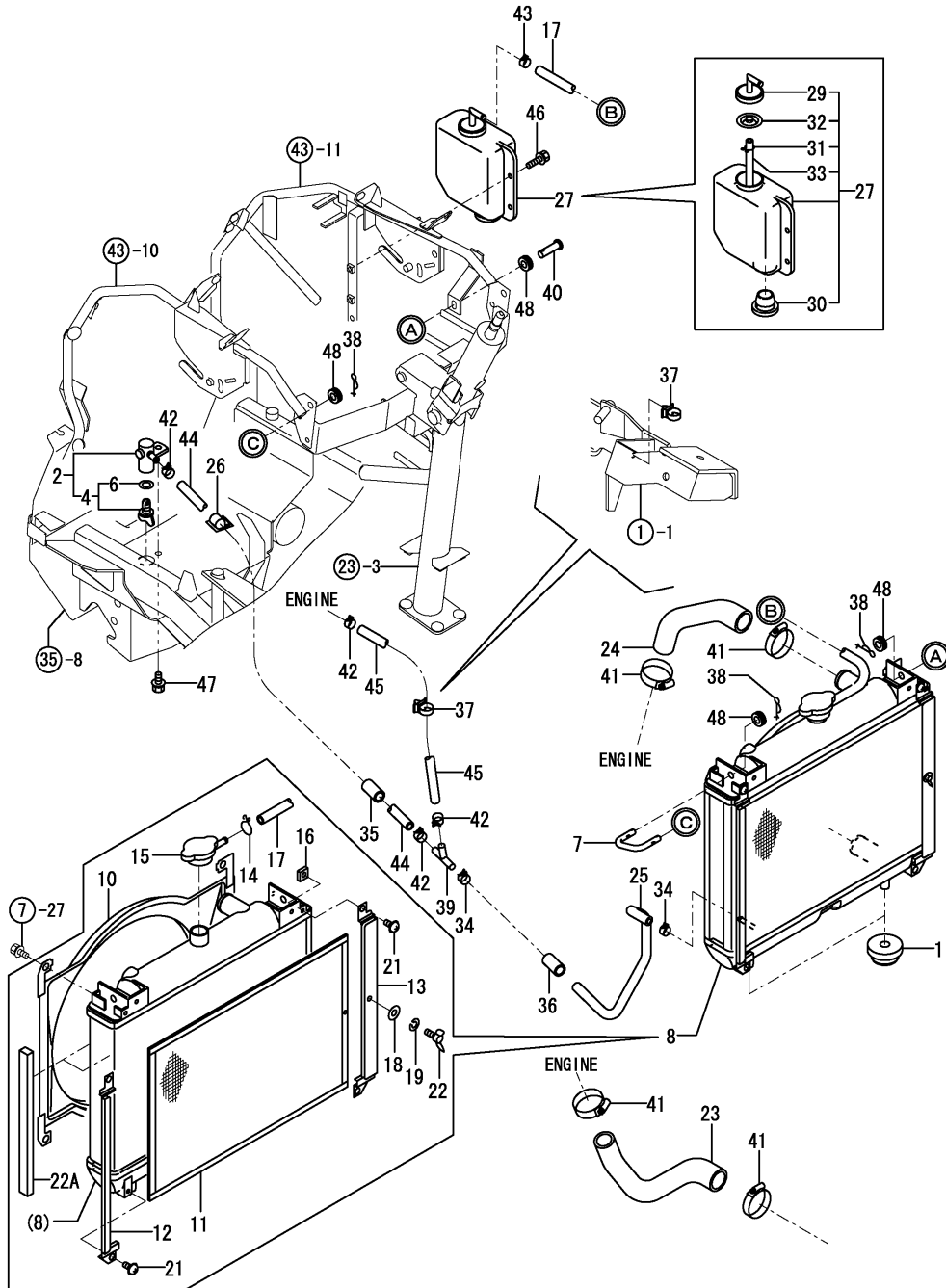
Fig.5. FUEL PIPE



(A)=RD18
(B)=
(C)= (D)=
(E)=
(F)=

REF.	LEV.	PARTS NO.	DESCRIPTION	Q'TY						I	R
				(A)	(B)	(C)	(D)	(E)	(F)		
1	1	1A7550-03310	PIPE,POMP	1							
2	1	1A7550-03320	PIPE,DRAIN	1							
3	1	1A7550-03350	HOSE IN,FUEL	1							
4	1	1A7550-03390	HOSE R,FUEL	1							
5	1	1A7550-03400	CLAMP	6							
6	1	1A7550-03410	BRACKET CMP,HOSE	1							
7	1	1A7550-03440	HOSE F,FUEL	1							
8	1	172010-07810	STICKER, WIRE	3							
9	1	1A6240-10380	RUBBER, 90	1							
10	1	1A6300-10600	RUBBER, 30	2							
11	1	106990-44660	CLIP,HOSE	3							
12	1	106990-44660	CLIP,HOSE	2							
13	1	106990-44660	CLIP,HOSE	2							
14	1	106990-44660	CLIP,HOSE	1							
15	1	194464-48850	RUBBER	1							
16	1	119923-55600	FILTER, FUEL	1							
17	2	129107-55510	CUP,STRAINER	1							
18	2	102103-55520	O-RING	1							
19	2	110250-55610	RING, RETAINING	1							
20	2	119923-55610	BODY ASSY	1							
21	3	104200-55330	SPRING, TAPER VALVE	1							
22	3	104200-55750	SCREW M 4	1							
23	3	24311-240100	O-RING 1A P-10A	1							
24	2	119810-55650	ELEMENT	1							
25	2	121257-55720	SPRING, SCREEN	1							
26	2	121257-55731	FLOAT	1							
27	1	119629-59910	JOINT, 3-WAY	1							
28	1	22137-080000	WASHER 8, POLISHED	1							
29	1	23064-100030	TUBE 10X30 VINYL	2							
30	1	23080-012000	CLAMP 12	8							
31	1	23980-730105	HOSE, 7.3 X 105	1							
32	1	23980-730160	HOSE, 7.3 X 160	1							
33	1	23980-730270	HOSE, 7.3 X 270	1							
34	1	23980-730290	HOSE, 7.3 X 290	1							
35	1	23980-730350	FUEL PIPE 7.3X350	1							
36	1	26016-081002	BOLT M 8X 85	1							
37	1	26018-080122	BOLT M8X12	2							
38	1	29622-100001	BAND, 100	1							
39	1	29622-140001	BAND 140	1							
40	1	29622-140001	BAND 140	1							
41	1	29622-250001	BAND RF 250	1							

Fig.6. RADIATOR(BODY)

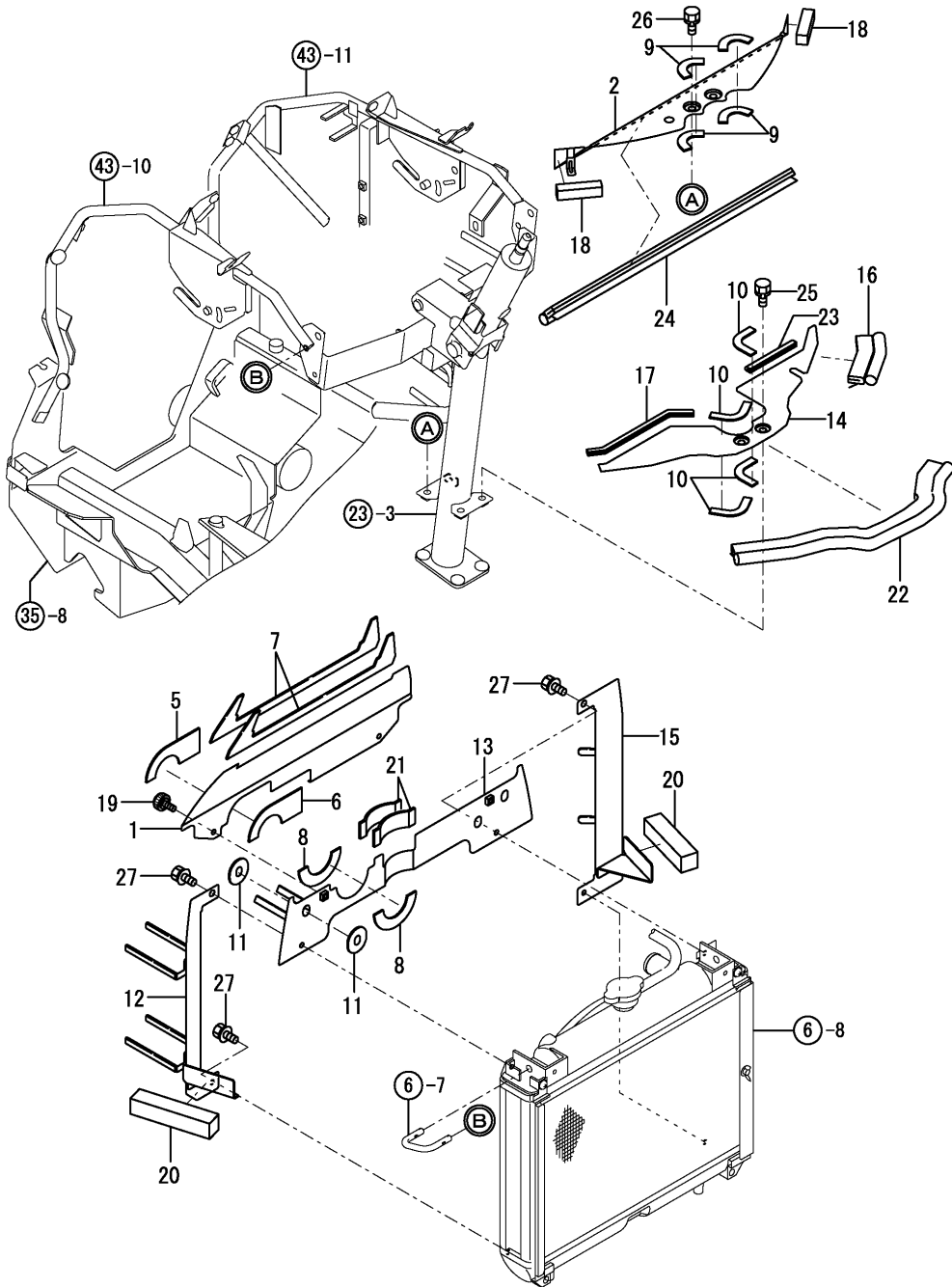


NPC-4678 6. RADIATOR(BODY)

(A)=RD18
(B)=
(C)= (D)=
(E)=
(F)=

REF.	LEV.	PARTS NO.	DESCRIPTION	Q'TY						I	R
				(A)	(B)	(C)	(D)	(E)	(F)		
1	1	198162-00640	SUPPORT	2							
2	1	198421-00640	COCK COMP.,2-WAY	1							
4	2	129150-49080	COCK, DRAIN	1							
6	3	119629-49080	GASKET	1							
7	1	1C6900-01720	PIN R,RAD.SUPPORTING	1							
8	1	1A7550-06000	RADIATOR	1							
10	2	119254-44560	BRACKET, SUB. TANK	1							
11	2	119254-44570	PROTECTOR, FRONT	1							
12	2	119254-44580	RAIL, GUIDE	1							
13	2	119254-44590	BRACKET	1							
14	2	121250-44590	CLAMP	1							
15	2	129107-44590	CAP, RADIATOR	1							
16	2	129457-44600	NUT	8							
17	2	121236-59080	PIPE,FUEL (D12XL400)	1							
18	2	22137-060000	WASHER 6, POLISHED	1							
19	2	22217-060000	SPRING WASHER 6	1							
21	2	26557-060122	SCREW M 6X 12,PAN HD	4							
22	2	26645-060122	WING BOLT M 6X12	1							
22A	2	119254-44600	GASKET	4							
23	1	1A7550-06200	CW-T,L	1							
24	1	1A7550-06250	CW-T,U	1							
25	1	1A7550-06290	HOSE	1							
26	1	172010-07810	STICKER, WIRE	1							
27	1	121468-44510	SUB-TANK ASSY	1							
29	2	121450-44531	CAP	1							
30	2	121468-44540	PLUG, SUB-TANK	1							
31	2	124450-44560	CLAMP	1							
32	2	121470-44581	GASKET	1							
33	2	23065-070130	PIPE 7X 130	1							
34	1	106990-44660	CLIP,HOSE	2							
35	1	194464-48850	RUBBER	1							
36	1	194464-48850	RUBBER	1							
37	1	194680-51670	BAND	1							
38	1	1C6281-52320	PIN 8,COME-OFF SNAP	3							
39	1	119629-59910	JOINT, 3-WAY	1							
40	1	22486-080240	PIN 8X 24	1							
41	1	23000-035000	CLAMP 35	4							
42	1	23080-012000	CLAMP 12	4							
43	1	23080-012000	CLAMP 12	1							
44	1	23980-730250	HOSE 7.3X800 BRAIDED	1							
45	1	23980-730270	HOSE, 7.3 X 270	1							
46	1	26018-060202	BOLT M 6X 20	2							
47	1	26018-080162	BOLT M 8X 16	1							
48	1	29311-092000	GROMMET 8.5X2.0	4							

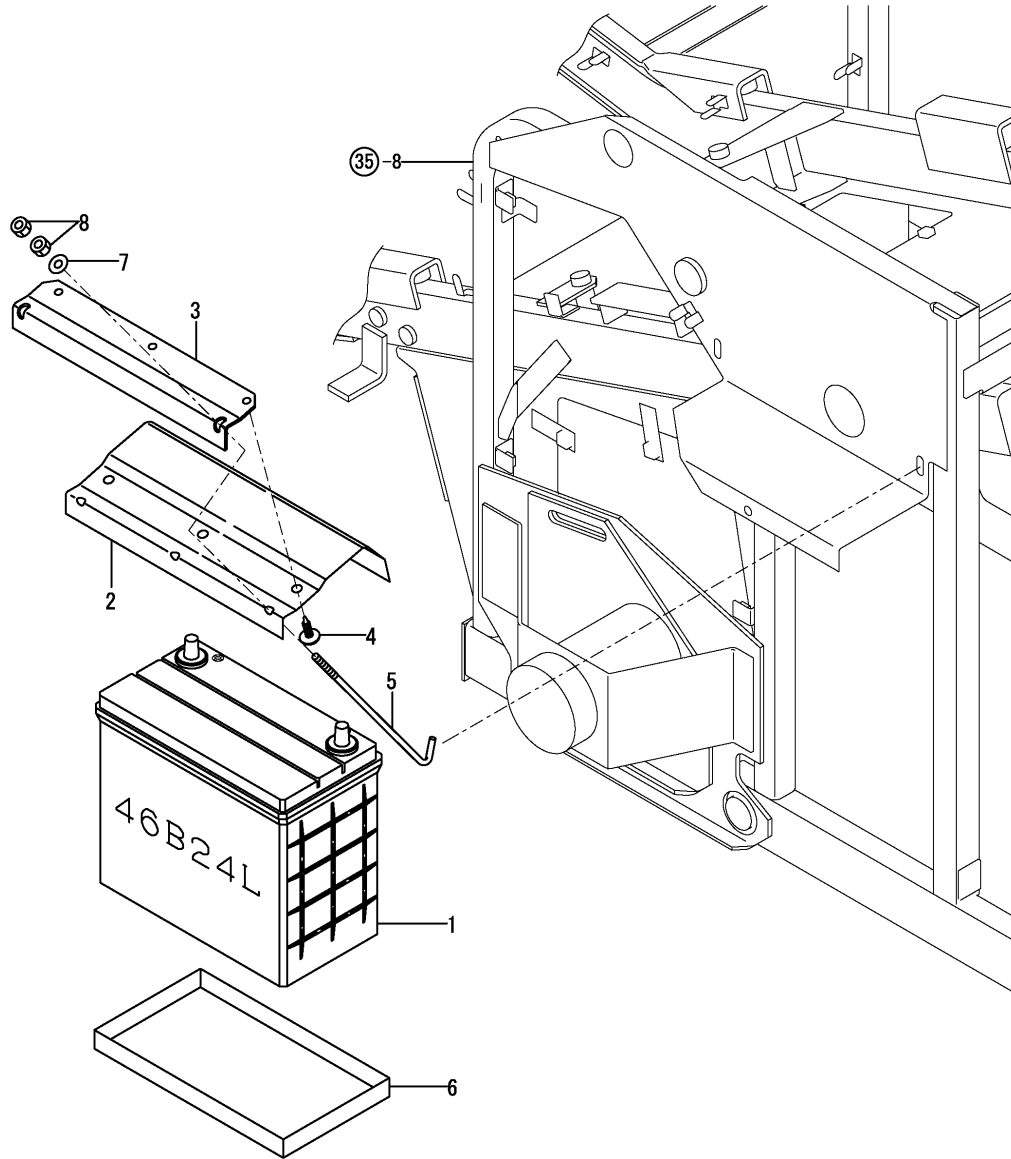
Fig.7. RADIATOR (PLATE, BAFFLE)



(A)=RD18
(B)=
(C)= (D)=
(E)=
(F)=

REF.	LEV.	PARTS NO.	DESCRIPTION	Q'TY						I R
				(A)	(B)	(C)	(D)	(E)	(F)	
1	1	1C6900-01562	PLATE,	1						
2	1	1C6900-01680	PLATE,RADIATR.BAFFLE	1						
5	1	1C6900-01730	SEAL,BAFFLE PL.AL	1						
6	1	1C6900-01740	SEAL,BAFFLE PL.AR	1						
7	1	1C6900-01750	SEAL,BAFFLE PL.UPPER	2						
8	1	1C6900-01760	SEAL,BAFFLE PL.INNER	2						
9	1	1C6900-01770	SEAL,BAFFLE PL.LOWER	4						
10	1	1C6900-01770	SEAL,BAFFLE PL.LOWER	4						
11	1	1C6900-01780	SEAL,RELEASE LEVER	6						
12	1	1A7550-06260	PLATE,BAFFLE,INNER L	1						
13	1	1A7550-06270	PLATE,BAFFLE,INNER C	1						
14	1	1A7550-06300	PLATE,BAFFLE EXTENT	1						
15	1	1A7550-06310	PLATE,BAFFLE,INNER R	1						
16	1	1A7550-06350	WEATHER STRIP 100	1						
17	1	1A7550-06360	TRIM175	1						
18	1	1A7510-10230	SEAL,RAD TOP	2						
19	1	1C6720-35651	SCREW, GRIP 6X16	2						
20	1	198448-60690	URETHANE, 120	2						
21	1	198162-61370	SEAL E,LADIATOR	2						
22	1	1A7260-61970	WEATHER-STRIP, B	1						
23	1	1A7320-61980	TRIM, SHROUD	1						
24	1	198133-62050	STRIP 450,WEATHER	1						
25	1	26016-080162	BOLT M 8X 16	2						
26	1	26016-080162	BOLT M 8X 16	2						
27	1	26018-060162	BOLT M6X16	4						

Fig.8. BATTERY

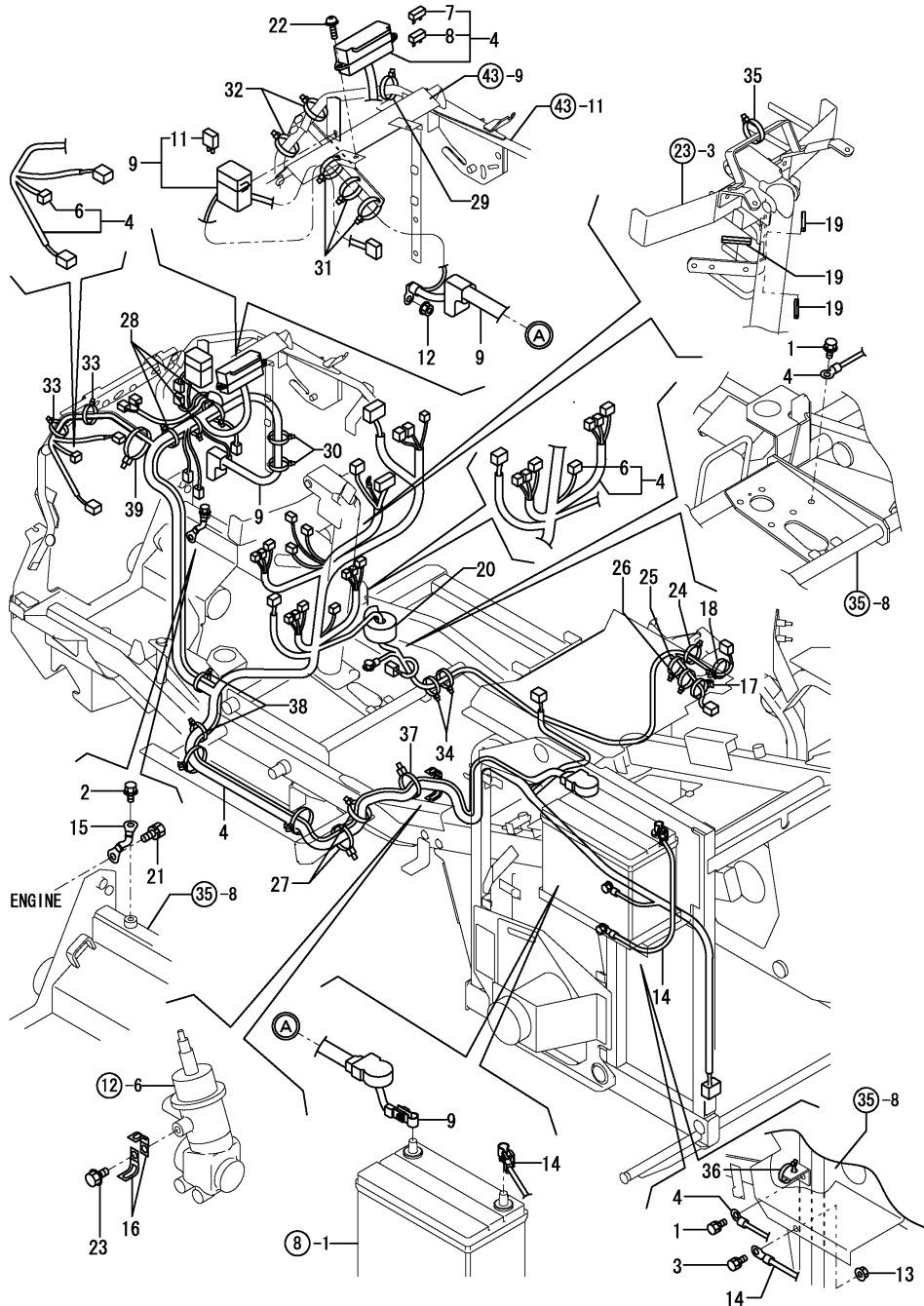


NPC-4678 8. BATTERY

(A)=RD18 (D)=
 (B)= (E)=
 (C)= (F)=

REF.	LEV.	PARTS NO.	DESCRIPTION	Q'TY						I	R
				(A)	(B)	(C)	(D)	(E)	(F)		
1	1	1C7010-06010	BATTER 46B24L	1							
2	1	1A7550-07100	RUBBER, PLATE	1							
3	1	1A7550-07110	CLAMP, BATTERY	1							
4	1	1C6780-37180	FASTENER,CUSHION	3							
5	1	194440-61741	ROD, BATTERY CLAMP	2							
6	1	194630-64770	NUT 10	1							
7	1	22137-060000	WASHER 6, POLISHED	2							
8	1	26716-060002	NUT 6	4							

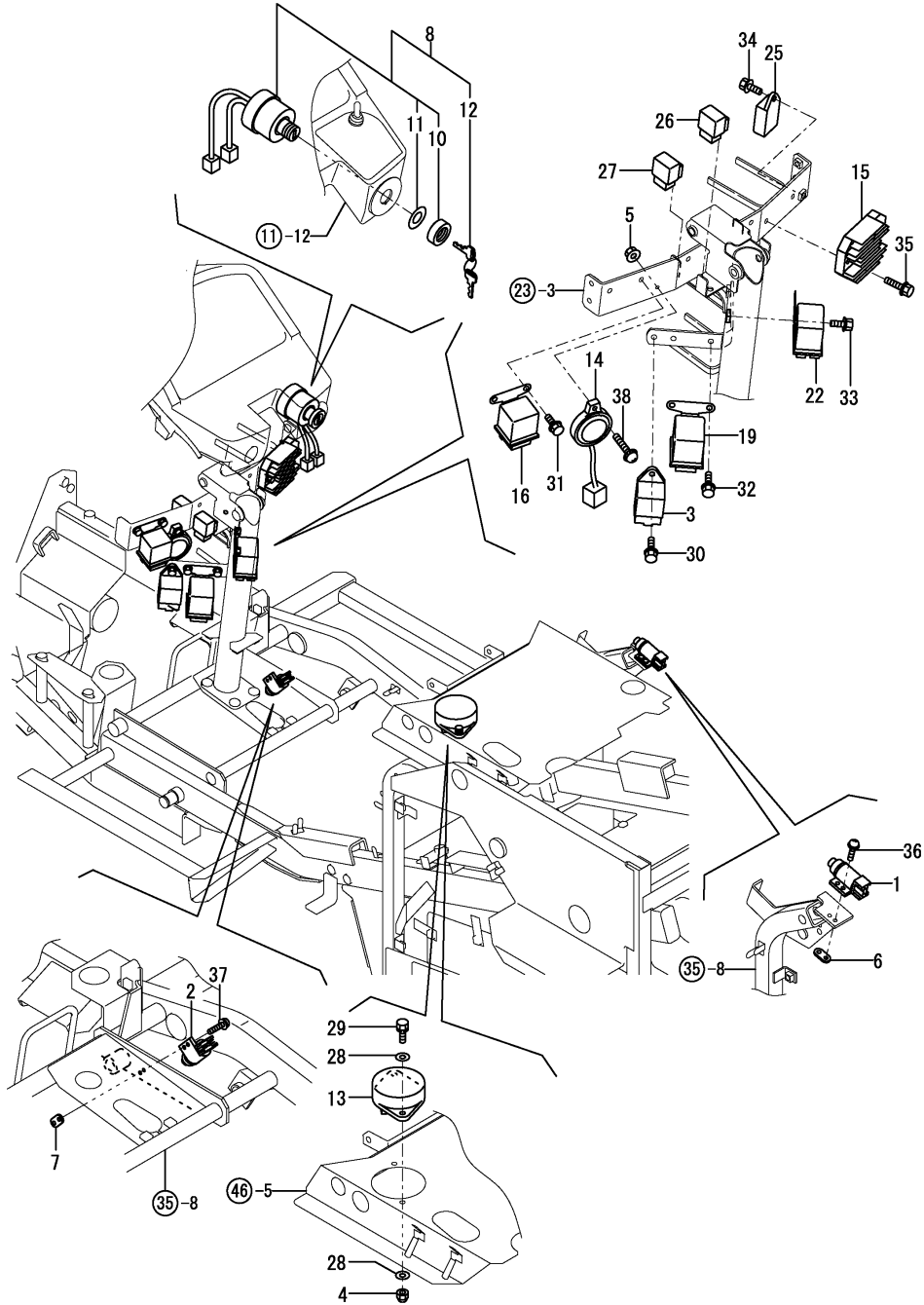
Fig.9. WIRE HARNESS



(A)=RD18
(B)=
(C)= (D)=
(E)=
(F)=

REF.	LEV.	PARTS NO.	DESCRIPTION	Q'TY						I	R
				(A)	(B)	(C)	(D)	(E)	(F)		
1	1	1C6560-06300	BOLT M8X16,EARTH	2							
2	1	1C6560-06300	BOLT M8X16,EARTH	1							
3	1	1C6560-06300	BOLT M8X16,EARTH	1							
4	1	1A7550-08100	HARNESS CMP,F	1							
6	2	119643-66900	DIODE	2							
7	2	29420-050000	HUSE	4							
8	2	29420-250000	HUSE	2							
9	1	1A7550-08250	CABLE,BATTERY	1							
11	2	1A7000-52820	SLOW BLOW FUSE60A	1							
12	1	194990-22140	NUT W/WASHER 8	1							
13	1	194990-22140	NUT W/WASHER 8	1							
14	1	1A7720-51420	CABLE, BATTERY EARTH	1							
15	1	198511-51450	CORD, EARTH	1							
16	1	194180-51640	CLAMP, WIRE HARNESS	2							
17	1	194680-51670	BAND	1							
18	1	194680-51670	BAND	1							
19	1	194464-51740	EDGE 40	3							
20	1	198448-60690	URETHANE, 120	1							
21	1	26013-100202	BOLT W/WASHER M10X20	1							
22	1	26023-060202	SCREW M 6X 20	2							
23	1	26106-100162	BOLT M10X 16 PLATED	1							
24	1	29621-100000	BAND, 100	1							
25	1	29621-100000	BAND, 100	1							
26	1	29621-100000	BAND, 100	1							
27	1	29621-150001	BAND, 150	2							
28	1	29622-140001	BAND 140	3							
29	1	29622-140001	BAND 140	1							
30	1	29622-140001	BAND 140	2							
31	1	29622-140001	BAND 140	3							
32	1	29622-140001	BAND 140	2							
33	1	29622-140001	BAND 140	2							
34	1	29622-140001	BAND 140	2							
35	1	29622-140001	BAND 140	1							
36	1	29622-140001	BAND 140	1							
37	1	29622-140001	BAND 140	1							
38	1	29622-250001	BAND RF 250	2							
39	1	29622-250001	BAND RF 250	1							

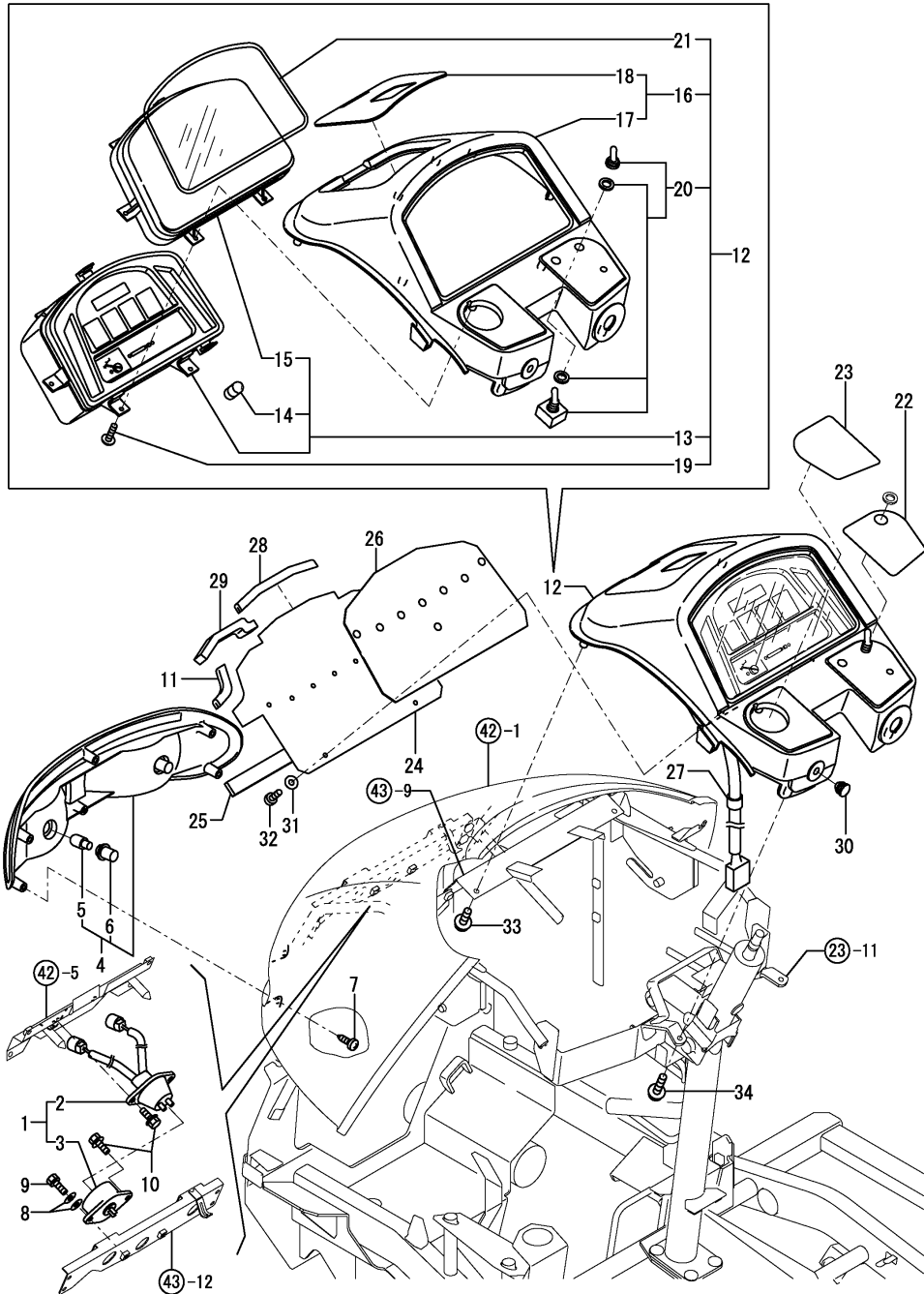
Fig.10. SWITCHES & RELAYS



(A)=RD18
(B)=
(C)= (D)=
(E)=
(F)=

REF.	LEV.	PARTS NO.	DESCRIPTION	Q'TY						I	R
				(A)	(B)	(C)	(D)	(E)	(F)		
1	1	1A7550-08300	PUSH SWITCH	1							
2	1	1A7550-08300	PUSH SWITCH	1							
3	1	1A7550-08400	TIMER,6SEC	1							
4	1	1A7550-08811	HIGH NUT M6X15	2							
5	1	194990-22120	NUT W/WASHER 5	1							
6	1	1A7510-52110	NUT,SWITCH 2-M4	1							
7	1	1A7510-52110	NUT,SWITCH 2-M4	1							
8	1	194940-52110	SWITCH,STARTER	1							
10	3	198360-52320	NUT,RING	1							
11	3	198360-52330	WASHER	1							
12	2	198360-52160	KEY COMPL.	1							
13	1	198204-52410	SWITCH, SEAT	1							
14	1	1P211A-71850	BUZZER (DC24VZ)	1							
15	1	119660-77711	CURRENT LIMITER(15A)	1							
16	1	119650-77910	RELAY, GROW	1							
19	1	119650-77910	RELAY, GROW	1							
22	1	119650-77910	RELAY, GROW	1							
25	1	129211-77920	TIMER	1							
26	1	1E6910-82500	RELAY CA-1A	1							
27	1	1E6910-82500	RELAY CA-1A	1							
28	1	22137-060000	WASHER 6, POLISHED	4							
29	1	26013-060252	BOLT M 6X 25	2							
30	1	26018-060162	BOLT M6X16	1							
31	1	26018-060162	BOLT M6X16	2							
32	1	26018-060162	BOLT M6X16	2							
33	1	26018-060162	BOLT M6X16	2							
34	1	26018-060162	BOLT M6X16	1							
35	1	26018-060252	BOLT M 6X 25	2							
36	1	26023-040162	SCREW M 4X 16	2							
37	1	26023-040162	SCREW M 4X 16	2							
38	1	26023-050252	SCREW M 5X 25	1							

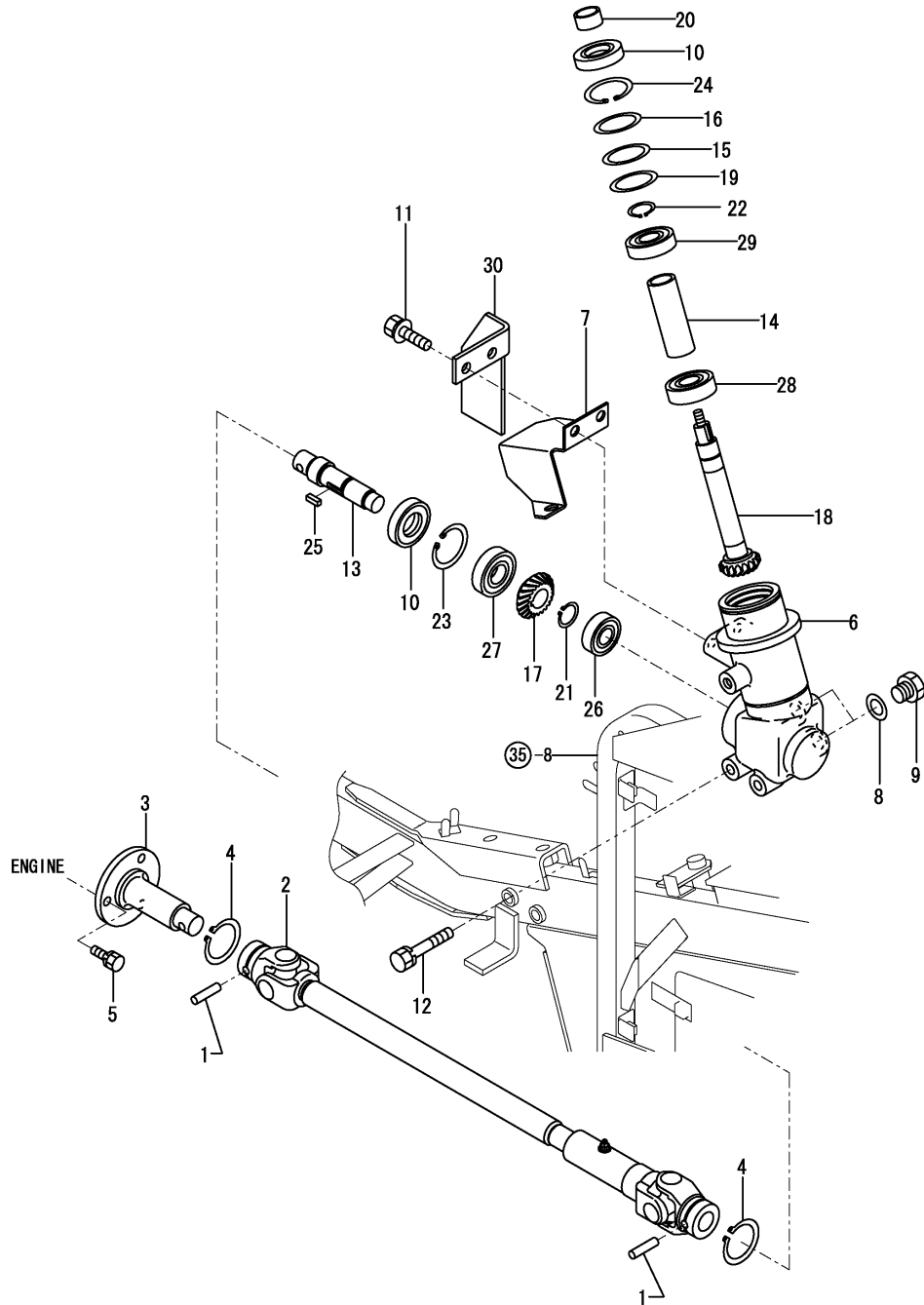
Fig.11. LAMPS & METER



(A)=RD18
(B)=
(C)= (D)=
(E)=
(F)=

REF.	LEV.	PARTS NO.	DESCRIPTION	Q'TY						I	R
				(A)	(B)	(C)	(D)	(E)	(F)		
1	1	1C6740-08200	PLUG ASSY.,GUIDE	1							
2	2	1C6740-08210	PLUG 4,GUIDE	1							
3	2	1C6710-08220	SOCKET,GUIDE PLUG	1							
4	1	1C6720-35500	HEAD LAMP	1							
5	2	1C6710-08120	BULB 12V18W	2							
6	2	1C6710-08130	SOCKET ASSY	2							
7	1	1C6650-37480	SCREW M6X16,TAPPING	6							
8	1	22137-060000	WASHER 6, POLISHED	2							
9	1	26013-060252	BOLT M 6X 25	1							
10	1	26018-060162	BOLT M6X16	3							
11	1	1A6150-08270	CUSHION A,WR.HARNESS	2							
12	1	1A7550-08500	METER	1							
13	2	1A7550-08550	METER, COMBINATION	1							
14	3	1C6460-36110	BULB 3.4W	5							
15	3	1C6720-36270	LAMP 3W,SOCKET	1							
16	2	1A7550-08600	VISOR CMP	1							
17	3	1A7550-08610	VISOR	1							
18	3	1C6740-36030	CAP,OIL FILLER	1							
19	2	1C6460-36151	SCREW 4X16,PLASTICS	6							
20	2	1C6740-36280	SWITCH,MONITOR	1							
21	2	1C6740-36320	PACKING	1							
22	1	1A7550-08640	LABEL,PANEL L	1							
23	1	1A7550-08650	LABEL,PANEL R	1							
24	1	1A7550-08700	PLATE C	1							
25	1	1A7550-08710	SEAL	1							
26	1	1A7550-08720	RUBBER,PLATE	1							
27	1	1A7510-10220	SEAL,GRILLE B	1							
28	1	1A6260-10610	RUBBER, RADIATOR	1							
29	1	1B1496-22250	URETHANE,	2							
30	1	194310-61610	GROMMET 9	1							
31	1	22117-040000	WASHER 4	5							
32	1	22857-400120	SCREW 4X12	5							
33	1	22857-600160	SCREW 6X16,TAPPING	2							
34	1	22857-600250	SCREW, 6.0 X 25	2							

Fig.12. GEAR CASE(COUNTER)

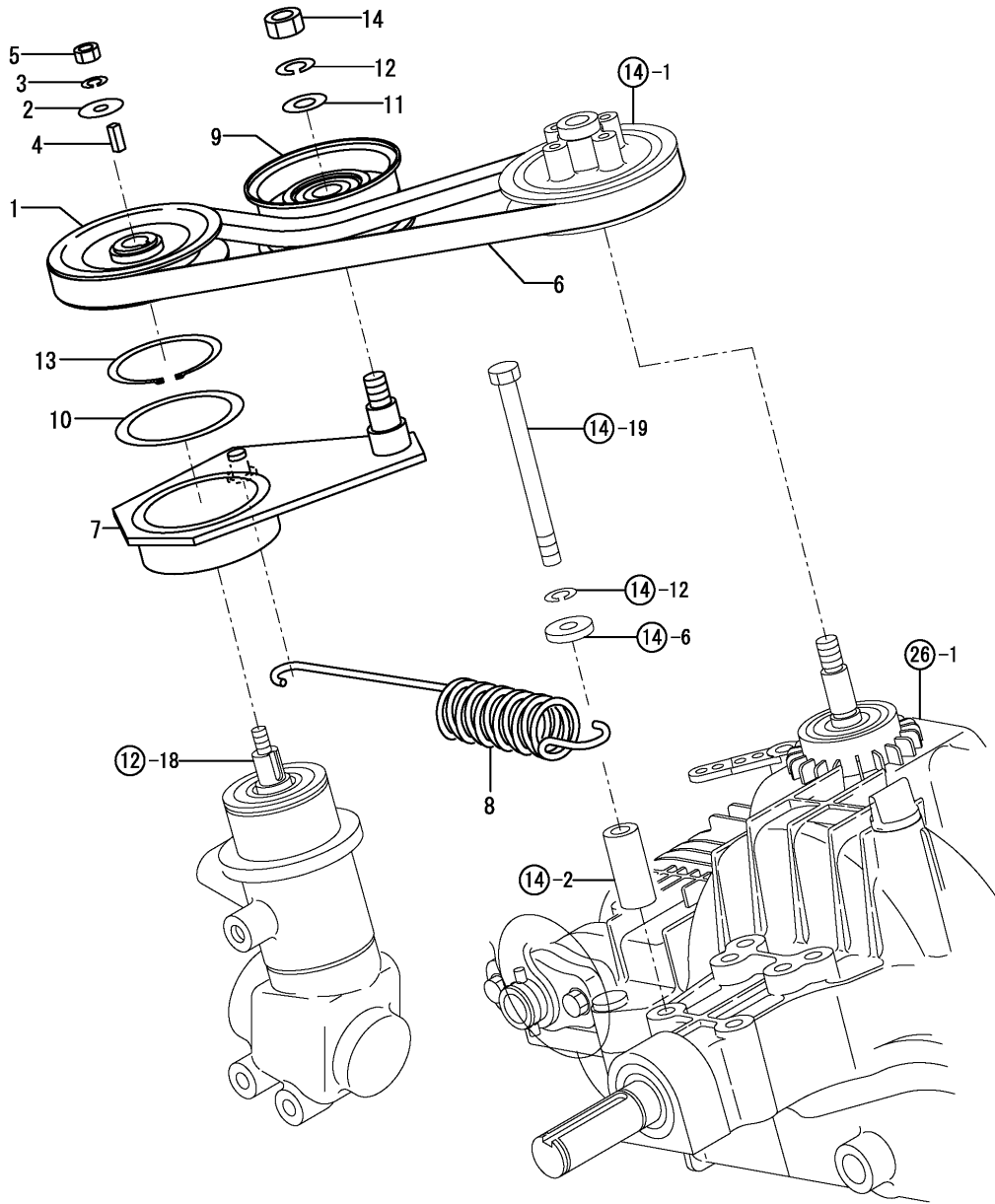


NPC-4678 12. GEAR CASE(COUNTER)

(A)=RD18
(B)=
(C)= (D)=
(E)=
(F)=

REF.	LEV.	PARTS NO.	DESCRIPTION	Q'TY						I	R
				(A)	(B)	(C)	(D)	(E)	(F)		
1	1	1C6660-11120	PIN 8X32,STRAIGHT	2							
2	1	1A7550-11350	SHAFT,DRIVE (12)	1							
3	1	1A7550-11450	SHAFT,JOINT (12)	1							
4	1	22242-000360	CIRCLIP 36(S)	2							
5	1	26013-080202	BOLT W/WASHER M8X20	3							
6	1	1A7550-11150	HOUSING (12)	1							
7	1	1A7550-11370	COVER,JOINT (12)	1							
8	1	23414-160021	GASKET 16	2							
9	1	23887-160002	PLUG 16,HEX.	2							
10	1	24421-254708	SEAL TC25 47 08, OIL	2							
11	1	26014-100252	BOLT 10X25 W/PLW+SPW	2							
12	1	26016-100552	BOLT W/WASHER 10* 55	2							
13	1	1A7550-11010	SHAFT	1							
14	1	1A7550-11030	COLLAR 27X75	1							
15	1	1A7550-11040	SHIM 36X46.5X0.1	3							
16	1	1A7550-11050	SHIM 36X46.5X0.5	1							
17	1	1A7550-11100	PINION	1							
18	1	1A7550-11110	GEAR	1							
19	1	1C6420-11690	SHIM 36X46.5X0.3	1							
20	1	194855-25290	SLEEVE SI 202513	1							
21	1	22242-000200	CIRCLIP 20	1							
22	1	22242-000200	CIRCLIP 20	1							
23	1	22252-000470	CIRCLIP 47(H)	1							
24	1	22252-000470	CIRCLIP 47(H)	1							
25	1	22550-050150	KEY, 5 X 15	1							
26	1	24101-062034	BALL BEARING	1							
27	1	24101-062044	BALL BEARING #6204	1							
28	1	24101-062044	BALL BEARING #6204	1							
29	1	24104-062044	BALL BEARING	1							
30	1	1A7550-11380	COVER A,JOINT	1							

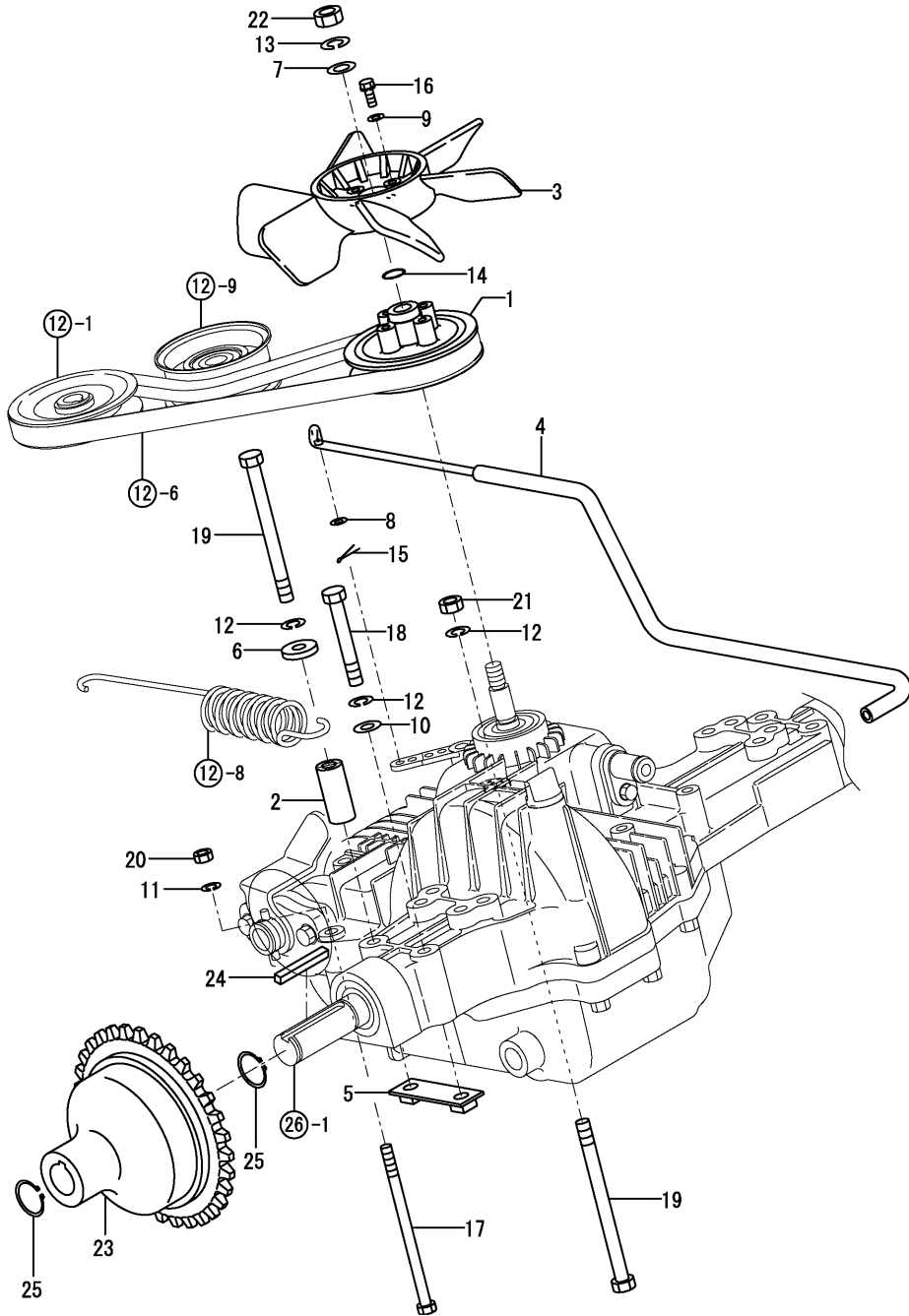
Fig.13. PULEEY(TRAVELING)



(A)=RD18
(B)=
(C)= (D)=
(E)=
(F)=

REF.	LEV.	PARTS NO.	DESCRIPTION	Q'TY						I	R
				(A)	(B)	(C)	(D)	(E)	(F)		
1	1	1A7550-11550	V PULLEY100B (12)	1							
2	1	22157-080000	WASHER 8	1							
3	1	22217-080000	SPRING WASHER 8	1							
4	1	22550-050150	KEY, 5 X 15	1							
5	1	26716-080002	NUT M 8	1							
6	1	25173-003301	V-BELT	1							
7	1	1A7550-11820	ARM,TENSION	1							
8	1	1A7550-11830	SP 35X272	1							
9	1	1A7550-11900	ROLLER,TENSION 80(12)	1							
10	1	1C1120-17600	SPACER,60X74X2.3	1							
11	1	22137-120000	WASHER 12,POLISHED	1							
12	1	22217-120000	SPRING WASHER 12	1							
13	1	22242-000600	CIRCLIP 60	1							
14	1	26716-120002	NUT 12	1							

Fig.14. TRANSMISSION ACCESSORIES

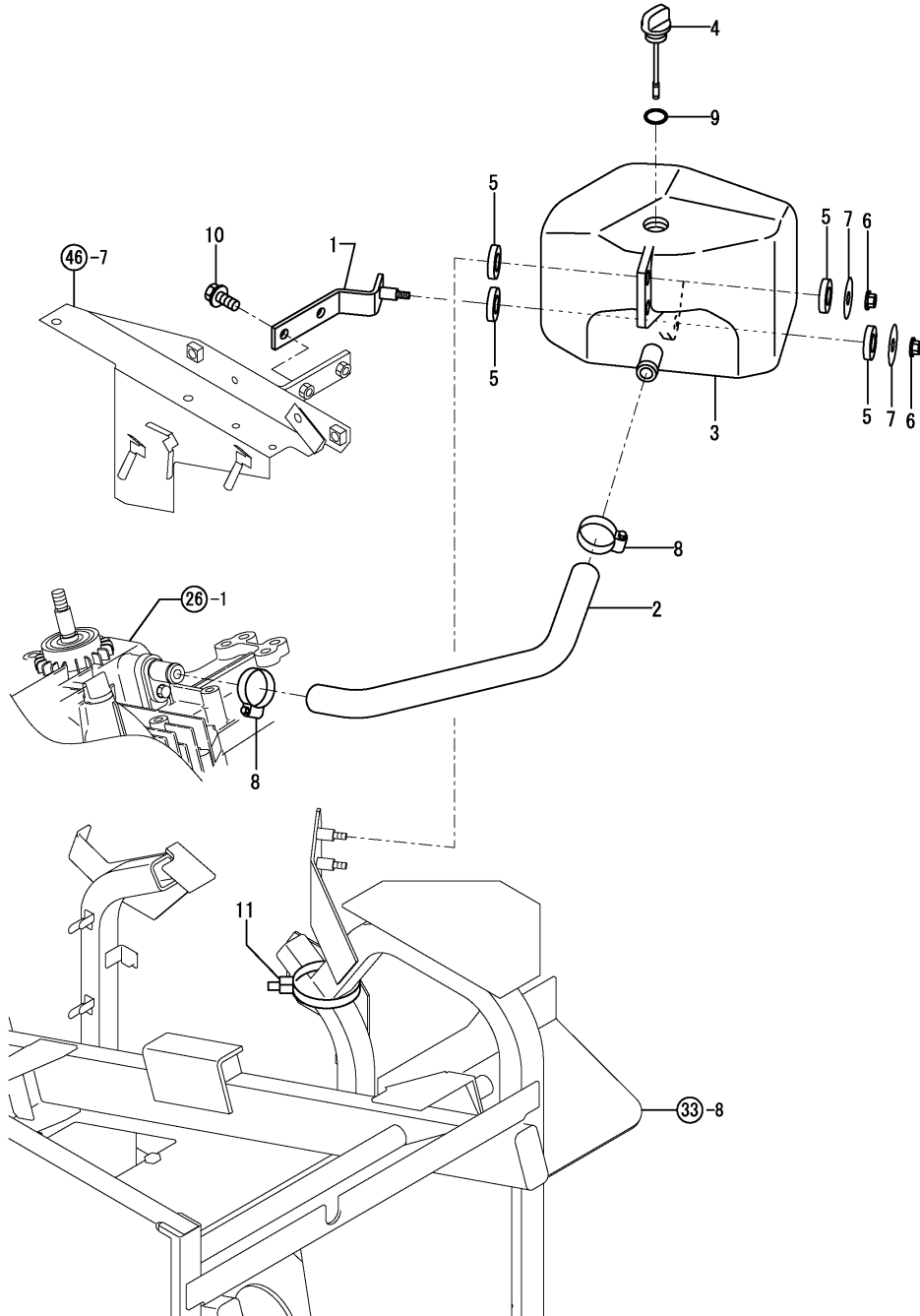


(A)=RD18
(B)=
(C)= (D)=
(E)=
(F)=

REF.	LEV.	PARTS NO.	DESCRIPTION	Q'TY						I	R
				(A)	(B)	(C)	(D)	(E)	(F)		
1	1	1A7550-11520	PULLEY (12)	1							
2	1	1A7550-11920	COLLAR 11X22X44	1							
3	1	1A7550-12500	FAN 219	1							
4	1	1A7550-12510	ROD RELEASE	1							
5	1	1A7550-12540	PLATE NUT	2							
6	1	1C7010-87350	WASHER, 10.5X27X4.5	1							
7	1	22117-120000	WASHER 12	1							
8	1	22137-060000	WASHER 6, POLISHED	1							
9	1	22137-060000	WASHER 6, POLISHED	4							
10	1	22137-100000	WASHER 10,POLISHED	3							
11	1	22217-080000	SPRING WASHER 8	1							
12	1	22217-100000	SPRING WASHER 10	5							
13	1	22217-120000	SPRING WASHER 12	1							
14	1	22292-000150	CIRCLIP S-15	1							
15	1	22417-200120	PIN, 2.0 X 12	1							
16	1	26013-060202	BOLT M 6X 20	4							
17	1	26116-081302	BOLT M 8X130 PLATED	1							
18	1	26116-100802	BOLT M10X 80 PLATED	3							
19	1	26116-101302	BOLT M10X130 PLATED	2							
20	1	26716-080002	NUT M 8	1							
21	1	26716-100002	NUT 10	1							
22	1	26756-120002	LOCK NUT 12	1							
23	1	1A7550-12610	SPROCKET 31 (12)	2							
24	1	1A7550-12640	KEY 6.35X50.8	2							
25	1	1A7550-12650	CIRCLIP 25	4							

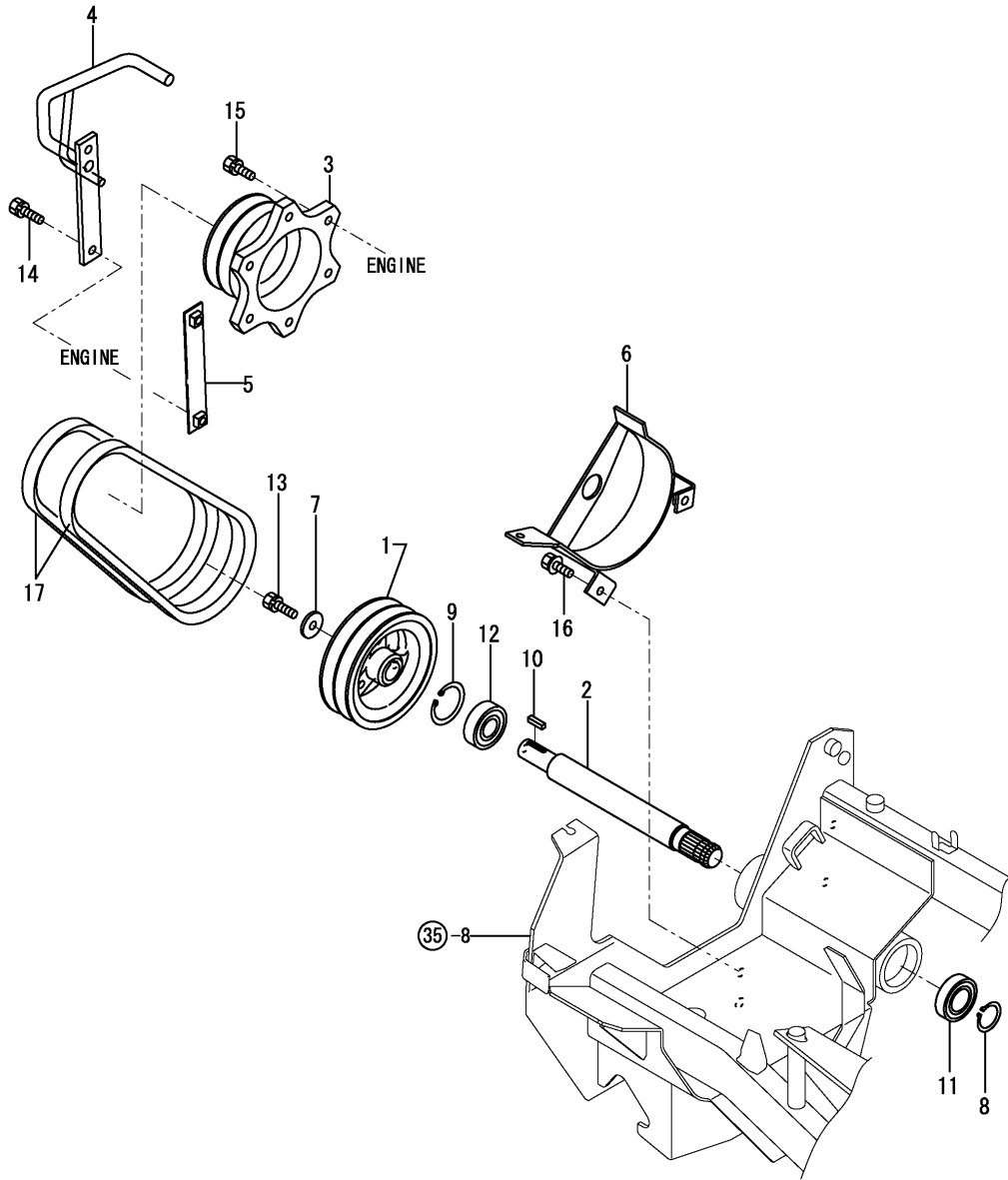
Fig.15. TANK(TRANSMISSION)

(A)=RD18 (D)=
 (B)= (E)=
 (C)= (F)=



REF.	LEV.	PARTS NO.	DESCRIPTION	Q'TY						I	R
				(A)	(B)	(C)	(D)	(E)	(F)		
1	1	1A7550-13250	BRACKET	1							
2	1	1A7550-13280	HOSE	1							
3	1	1A7550-13310	TANK,OIL	1							
4	1	195534-13450	PLUG	1							
5	1	194630-15530	RUBBER, DUST	6							
6	1	194990-22130	NUT W/WASHER 6	3							
7	1	1C6690-74420	WASHER	3							
8	1	23000-035000	CLAMP 35	2							
9	1	24341-000180	O-RING 1A S-18.0	1							
10	1	26018-080202	BOLT M 8X 20	2							
11	1	29622-250001	BAND RF 250	1							

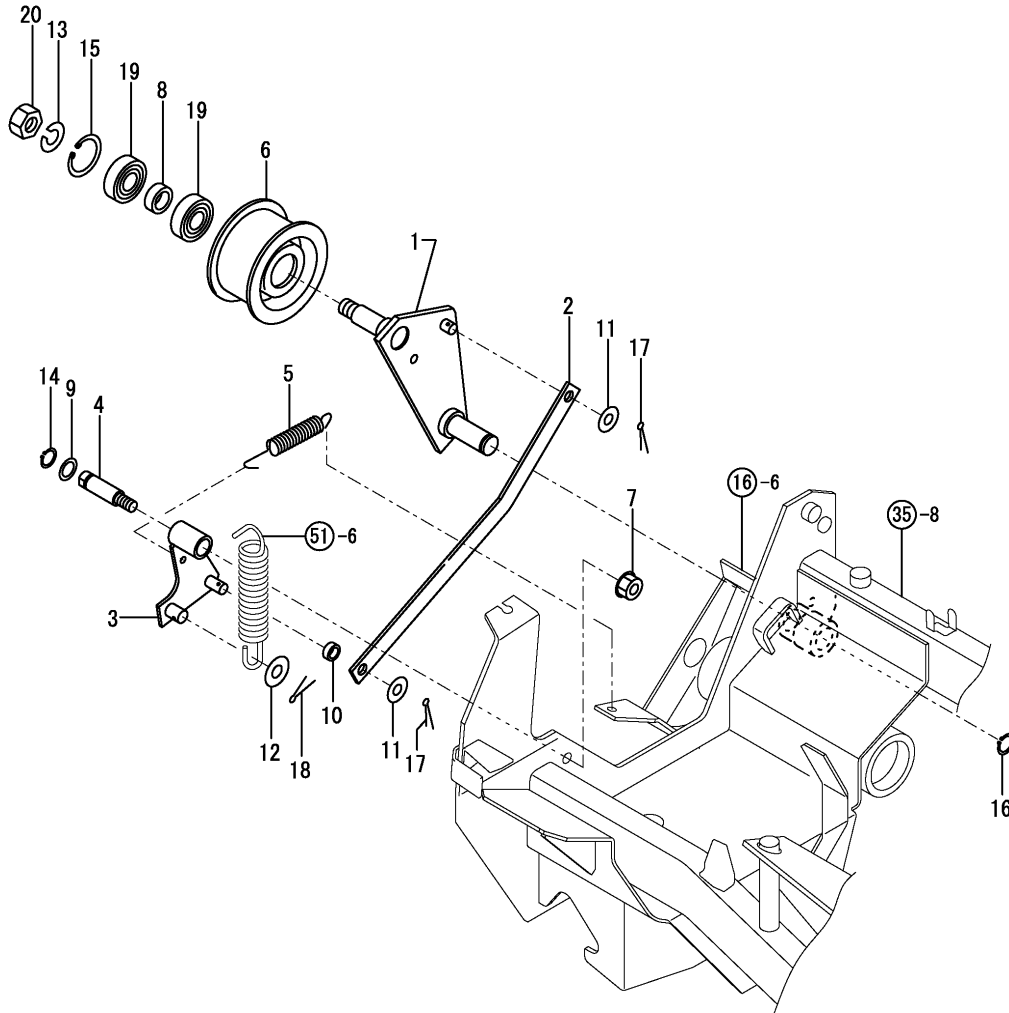
Fig.16. MOWER DRAIVE



(A)=RD18
(B)=
(C)= (D)=
(E)=
(F)=

REF.	LEV.	PARTS NO.	DESCRIPTION	Q'TY						I	R
				(A)	(B)	(C)	(D)	(E)	(F)		
1	1	1A7550-15010	V PULLEY,128 (12)	1							
2	1	1A7550-15020	SHAFT,PTO	1							
3	1	1A7550-15050	PULLEY,105-50 (12)	1							
4	1	1A7550-15400	RETAINER CMP,BELT	1							
5	1	1A7550-15460	PLATE NUT A	1							
6	1	1A7550-15600	GUIDE,BELT CMP	1							
7	1	1A1040-43900	SPRING WASHER	1							
8	1	22242-000250	CIRCLIP 25S	1							
9	1	22252-000470	CIRCLIP 47(H)	1							
10	1	22550-050200	KEY, 5 X 20	1							
11	1	24104-060054	BALL BEARING	1							
12	1	24104-062044	BALL BEARING	1							
13	1	26013-080202	BOLT W/WASHER M8X20	1							
14	1	26013-080252	BOLT M 8X 25	2							
15	1	26013-080252	BOLT M 8X 25	6							
16	1	26018-080202	BOLT M 8X 20	2							
17	1	1A7550-15150	V-BELT LB31.5AG8	2							

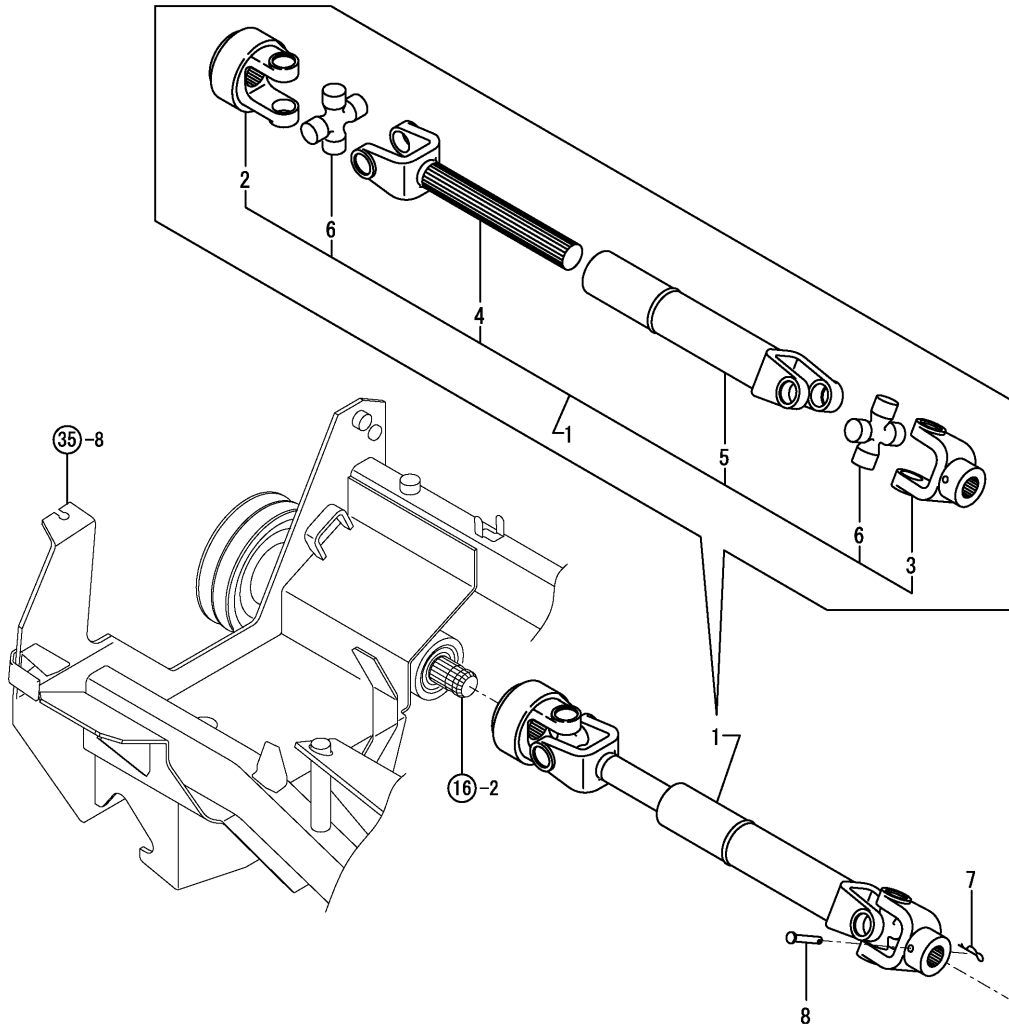
Fig.17. TENSION(PTO)



(A)=RD18
(B)=
(C)= (D)=
(E)=
(F)=

REF.	LEV.	PARTS NO.	DESCRIPTION	Q'TY						I	R
				(A)	(B)	(C)	(D)	(E)	(F)		
1	1	1A7550-15300	ARM,TENSION(12)	1							
2	1	1A7550-15330	LINK A	1							
3	1	1A7550-15340	LINK B CMP	1							
4	1	1A7550-15370	STUD BOLT	1							
5	1	1A7550-15390	SPRING,RETURN	1							
6	1	1A7550-15450	PULLEY,TENSION 80(12)	1							
7	1	194990-22060	NUT, M10	1							
8	1	1E6740-42060	COLLAR 17X25X 9	1							
9	1	194450-45550	WASHER	1							
10	1	1E8540-47950	COLLAR 10.4X15X6	1							
11	1	22137-100000	WASHER 10,POLISHED	2							
12	1	22137-120000	WASHER 12,POLISHED	1							
13	1	22217-140000	SPRING WASHER 14	1							
14	1	22242-000140	CIRCLIP 14	1							
15	1	22252-000400	CIRCLIP 40(H)	1							
16	1	22272-000150	CIRCLIP E-15	1							
17	1	22417-250250	COTTER PIN 2.5X25	2							
18	1	22417-250250	COTTER PIN 2.5X25	1							
19	1	24104-062034	BALL BEARING	2							
20	1	26736-140002	NUT M14	1							

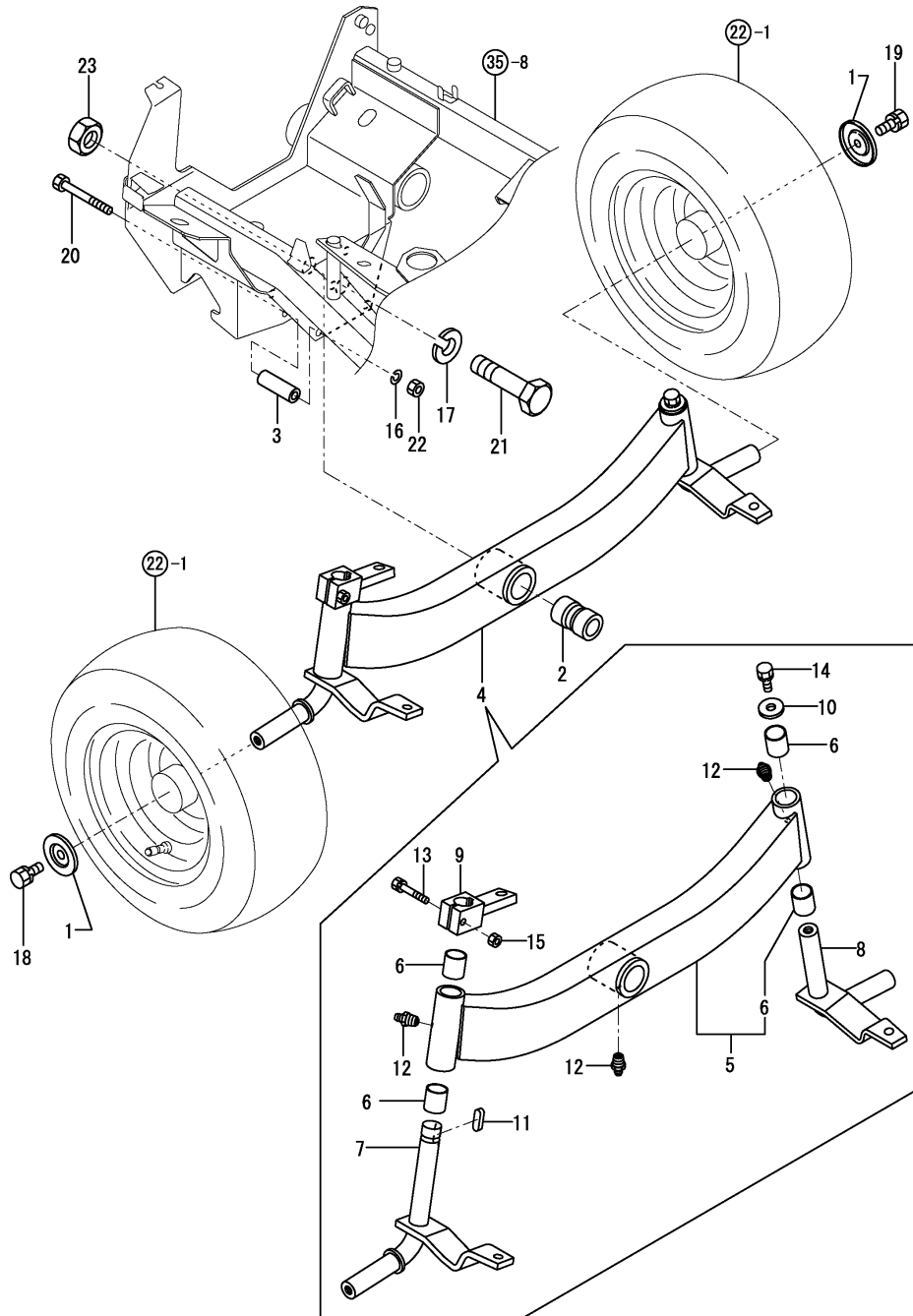
Fig.18. JOINT(MOWER)



(A)=RD18 (D)=
 (B)= (E)=
 (C)= (F)=

REF.	LEV.	PARTS NO.	DESCRIPTION	Q'TY						I	R
				(A)	(B)	(C)	(D)	(E)	(F)		
1	1	1A7550-15210	DRIVE SHAFT CMP	1							
2	2	1A7550-15220	YOKE CMP	1							
3	2	1A7550-15230	YOKE	1							
4	2	1A7550-15240	SHAFT YOKE	1							
5	2	1A7550-15250	SLEEVE YOKE	1							
6	2	1A7550-15260	JOURNAL KIT	2							
7	1	1C6281-52310	PIN 6,COME-OFF SNAP	1							
8	1	22487-060400	PIN, 6 X 40	1							

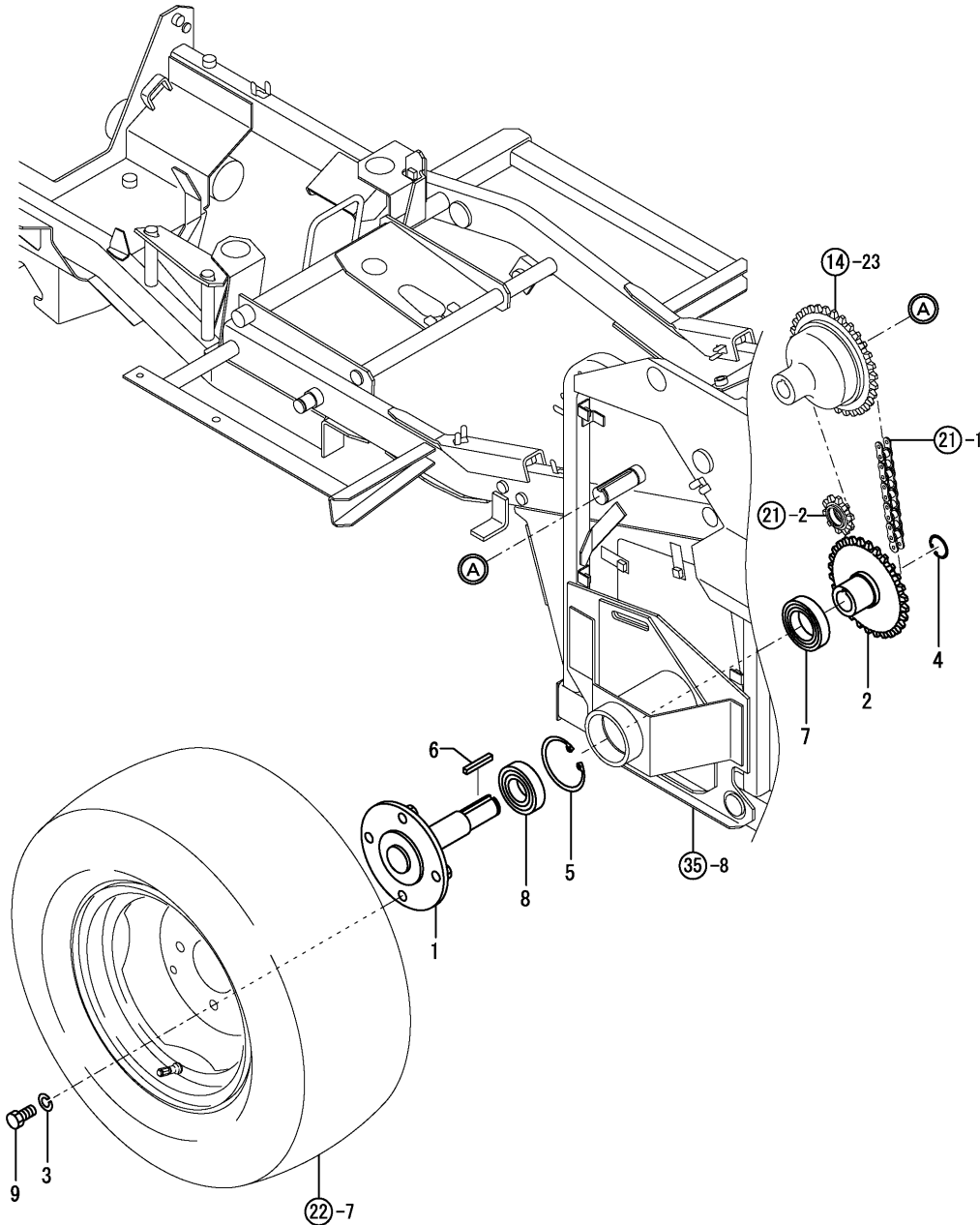
Fig.19. FRONT AXLE



(A)=RD18
(B)=
(C)= (D)=
(E)=
(F)=

REF.	LEV.	PARTS NO.	DESCRIPTION	Q'TY						I R
				(A)	(B)	(C)	(D)	(E)	(F)	
1	1	1A7550-21350	CAP, WHEEL (14)	2						
2	1	1A7550-21400	BUSH 24.1X37X59	1						
3	1	1A7550-21450	COLLAR 17.3X3.5X59	2						
4	1	1A7550-21500	AXLE CMP, FRONT	1						
5	2	1A7550-21150	AXLE A CMP,FRONT(12)	1						
6	3	1A6150-21290	BUSH 25X28X30	4						
7	2	1A7550-21200	KING-PIN L CMP	1						
8	2	1A7550-21250	KING-PIN R CMP	1						
9	2	1A7550-21300	KNUCKLE ARM CMP (12)	1						
10	2	1E6150-73410	WASHER 12X33X4.5	1						
11	2	22512-070300	KEY 7X 30	1						
12	2	24761-010000	NIPPLE M6F, GREASE	3						
13	2	26013-080452	BOLT M 8X 45	1						
14	2	26013-120252	BOLT M12X 25	1						
15	2	26716-080002	NUT M 8	1						
16	1	22217-100000	SPRING WASHER 10	2						
17	1	22217-240000	SPRING WASHER 24	1						
18	1	26013-120252	BOLT M12X 25	1						
19	1	26013-120252	BOLT M12X 25	1						
20	1	26116-100852	BOLT M10X 85 PLATED	2						
21	1	26152-241002	BOLT	1						
22	1	26716-100002	NUT 10	2						
23	1	26776-240002	LOCK NUT M24 PLATED	1						

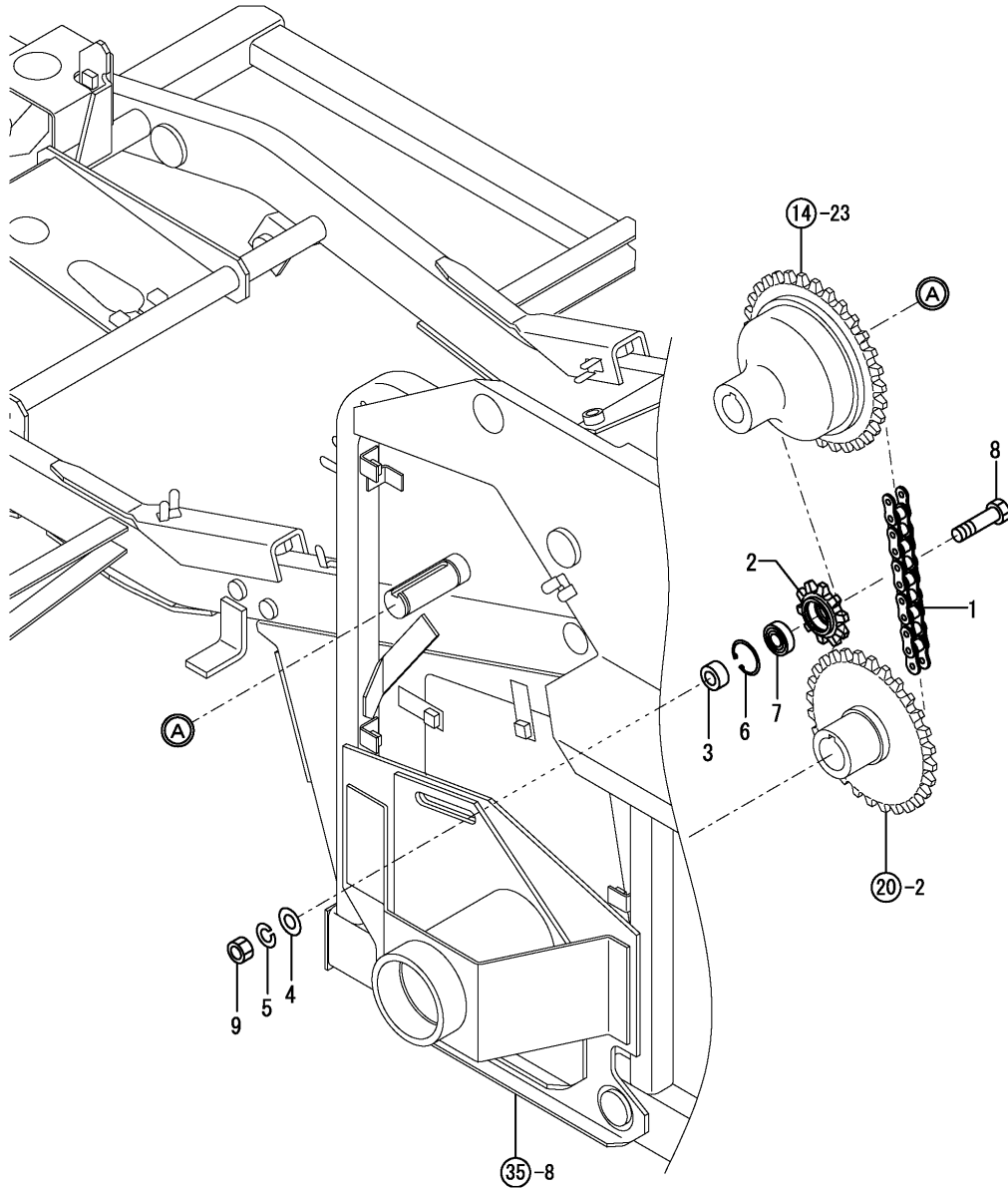
Fig.20. REAR AXLE



(A)=RD18
(B)=
(C)= (D)=
(E)=
(F)=

REF.	LEV.	PARTS NO.	DESCRIPTION	Q'TY						I R
				(A)	(B)	(C)	(D)	(E)	(F)	
1	1	1A7550-22100	SHAFT (12)	2						
2	1	1A7550-22150	SPROCKET (12)	2						
3	1	22217-140000	SPRING WASHER 14	8						
4	1	22242-000300	CIRCLIP 30	2						
5	1	22252-000720	CIRCLIP 72	2						
6	1	22550-070500	KEY, 7 X 50	2						
7	1	24104-060094	BALL BEARING	2						
8	1	24104-062074	BALL BEARING	2						
9	1	26156-140352	BOLT M14X 35 PLATED	8						

Fig.21. CHAIN TENSION(TRAVEL)

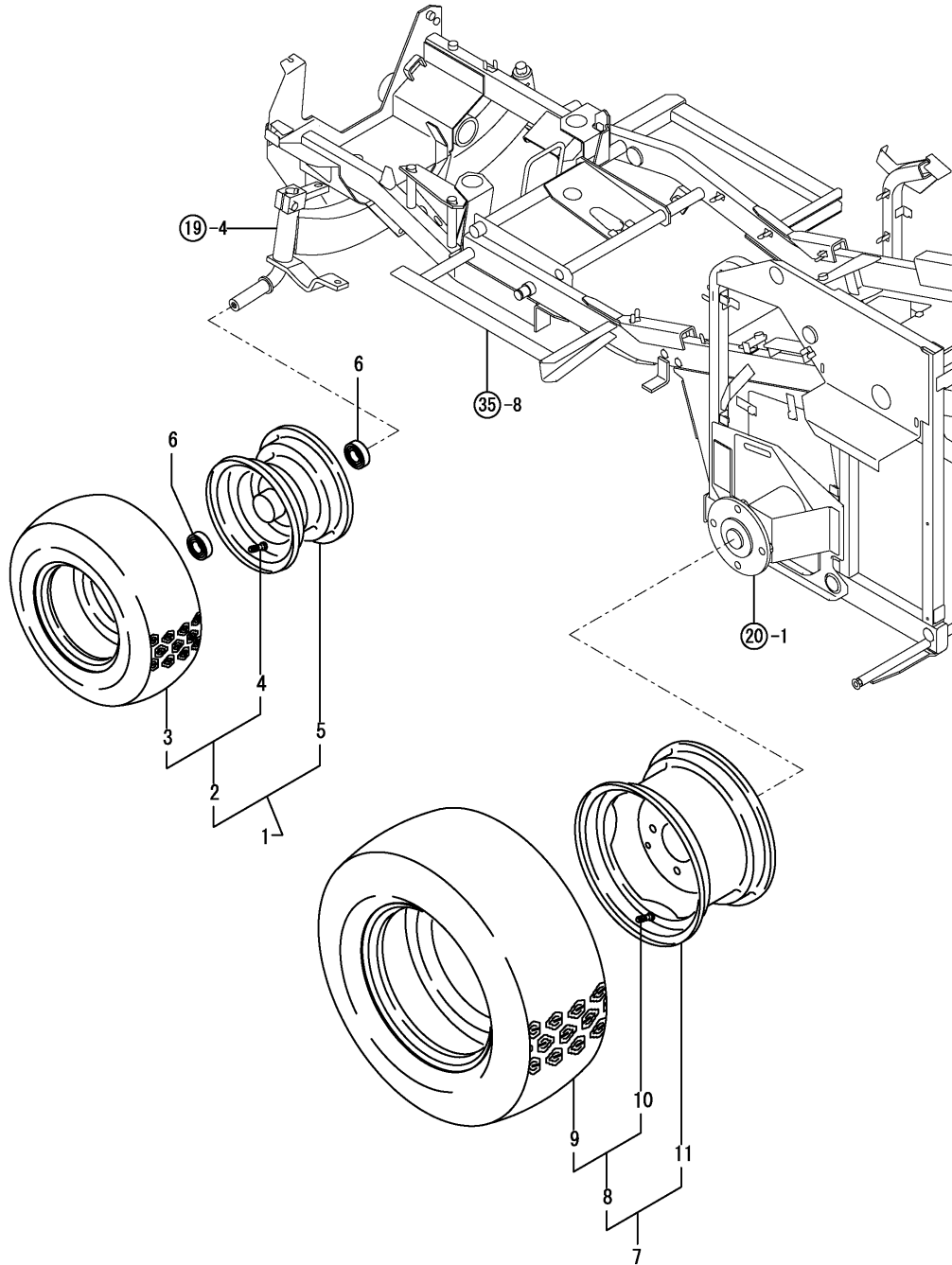


NPC-4678 21. CHAIN TENSION(TRAVEL)

(A)=RD18
(B)=
(C)= (D)=
(E)=
(F)=

REF.	LEV.	PARTS NO.	DESCRIPTION	Q'TY						I	R
				(A)	(B)	(C)	(D)	(E)	(F)		
1	1	1A7550-22510	CHAIN 74	2							
2	1	1A7550-22610	SPROCKET 10	2							
3	1	1A7550-22620	COLLAR 22X11	2							
4	1	22137-120000	WASHER 12,POLISHED	2							
5	1	22217-120000	SPRING WASHER 12	2							
6	1	22252-000280	CIRCLIP 28	2							
7	1	24104-060014	BALL BEARING 6001UU	2							
8	1	26116-120452	BOLT M12X 45 PLATED	2							
9	1	26716-120002	NUT 12	2							

Fig.22. WHEELS

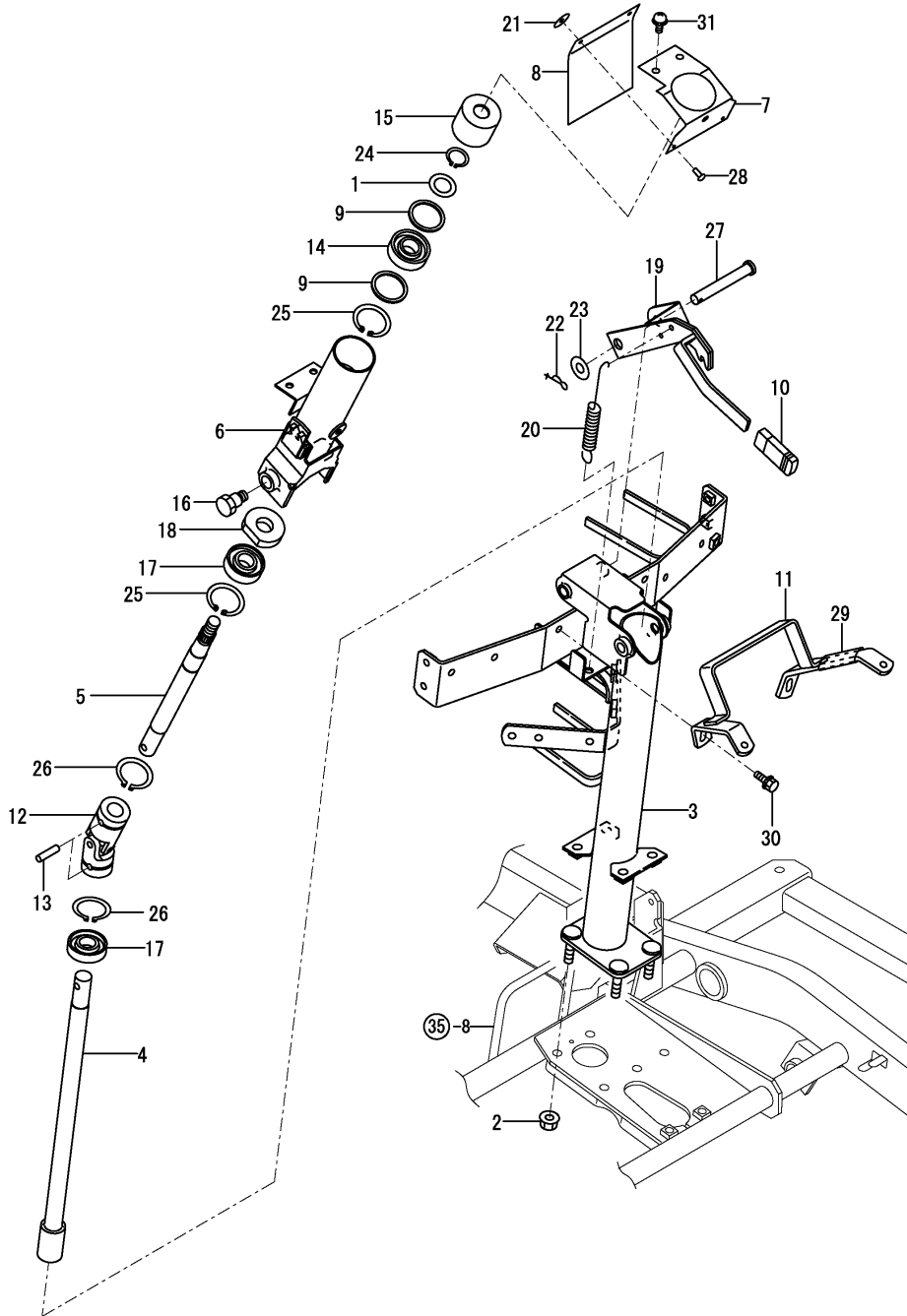


(A)=RD18
(B)=
(C)= (D)=
(E)=
(F)=

REF.	LEV.	PARTS NO.	DESCRIPTION	Q'TY						I	R
				(A)	(B)	(C)	(D)	(E)	(F)		
1	1	1A6150-23000	WHEEL KIT,FRONT TIRE	2							
2	2	1A6150-23010	TIRE 16X6.50-8 COMP.	2							
3	3	1A6150-23020	TIRE 16X6.50-8	2							
4	3	194190-34730	HOUSING,CORE	2							
5	2	1A6150-23030	WHEEL 5.375IX8DC	2							
6	1	24104-062054	BALL BEARING	4							
7	1	1A6150-23250	WHEEL KIT,REAR TIRE	2							
8	2	1A6150-23260	TIRE 23X10.5-12 CMP.	2							
9	3	1A6150-23270	TIRE 23X10.5-12	2							
10	3	194190-34730	HOUSING,CORE	2							
11	2	1A6150-23280	WHEEL 7JA-12WDC	2							

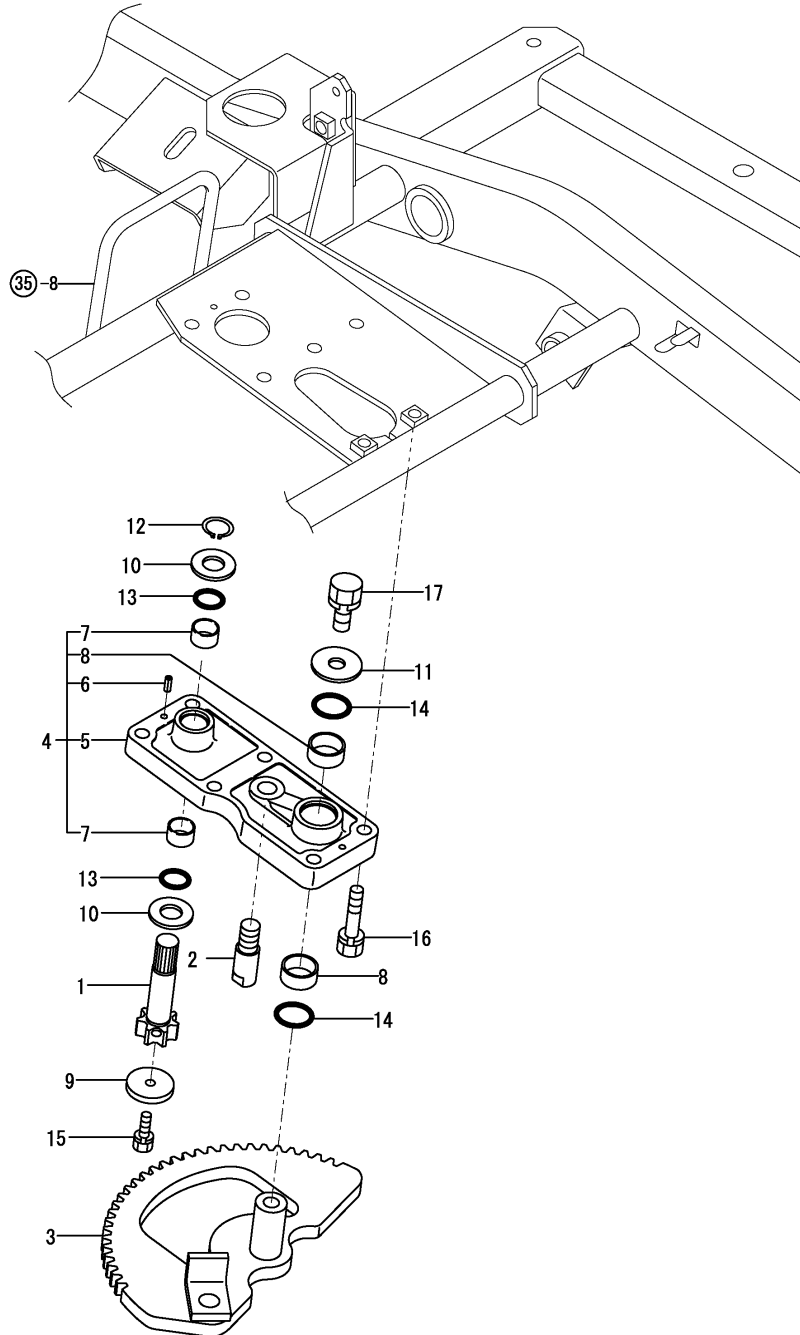
Fig.23. STEERING

(A)=RD18
(B)=
(C)= (D)=
(E)=
(F)=



REF.	LEV.	PARTS NO.	DESCRIPTION	Q'TY						I R
				(A)	(B)	(C)	(D)	(E)	(F)	
1	1	1C6560-16400	LINER 17X27X1	1						
2	1	194990-22050	NUT W/WASHER 8	4						
3	1	1A7550-25100	COLUMN LOWER	1						
4	1	1A7550-25110	SHAFT,WHEEL CMP	1						
5	1	1A7550-25170	SHAFT,WHEEL UPPER	1						
6	1	1A7550-25300	COLUMN,UPPER	1						
7	1	1A7550-25510	COVER,COLUMN	1						
8	1	1A7550-25550	RUBBER,PLATE	1						
9	1	198212-25930	WASHER 30*36*2	2						
10	1	1C6780-35910	GRIP 50X20	1						
11	1	1C6900-36200	STAY,VISOR REAR	1						
12	1	1C6900-42280	JOINT ASSY.,STEERING	1						
13	1	1C6560-42290	PIN,STRGHT.FIRM SET	2						
14	1	1C6560-42350	BUSH,SHAFT	1						
15	1	1C6560-42360	BUSH,COLUMN	1						
16	1	1C6140-42380	BOLT,FULCRUM	2						
17	1	1C6140-42471	BUSH,COLUMN LOWER	2						
18	1	1C7100-42530	BUSH, SHAFT	1						
19	1	1C6720-42601	LEVER, TILT	1						
20	1	1C6560-42650	SPRING,TILT LEVER	1						
21	1	1E8150-62700	WASHER 3.5X15X1	2						
22	1	1C6360-65700	SNAP PIN 10	1						
23	1	22137-100000	WASHER 10,POLISHED	1						
24	1	22242-000170	CIRCLIP 17	1						
25	1	22252-000380	CIRCLIP 38	2						
26	1	22292-000280	CIRCLIP S-28	2						
27	1	22487-100700	PIN 10X 70	1						
28	1	22697-320321	RIVET, 3.2 X 3.2	2						
29	1	23061-180060	HOSE 18*60	1						
30	1	26018-060162	BOLT M6X16	2						
31	1	26023-060122	SCREW M 6X 12	3						

Fig.24. GEAR(STEERING)

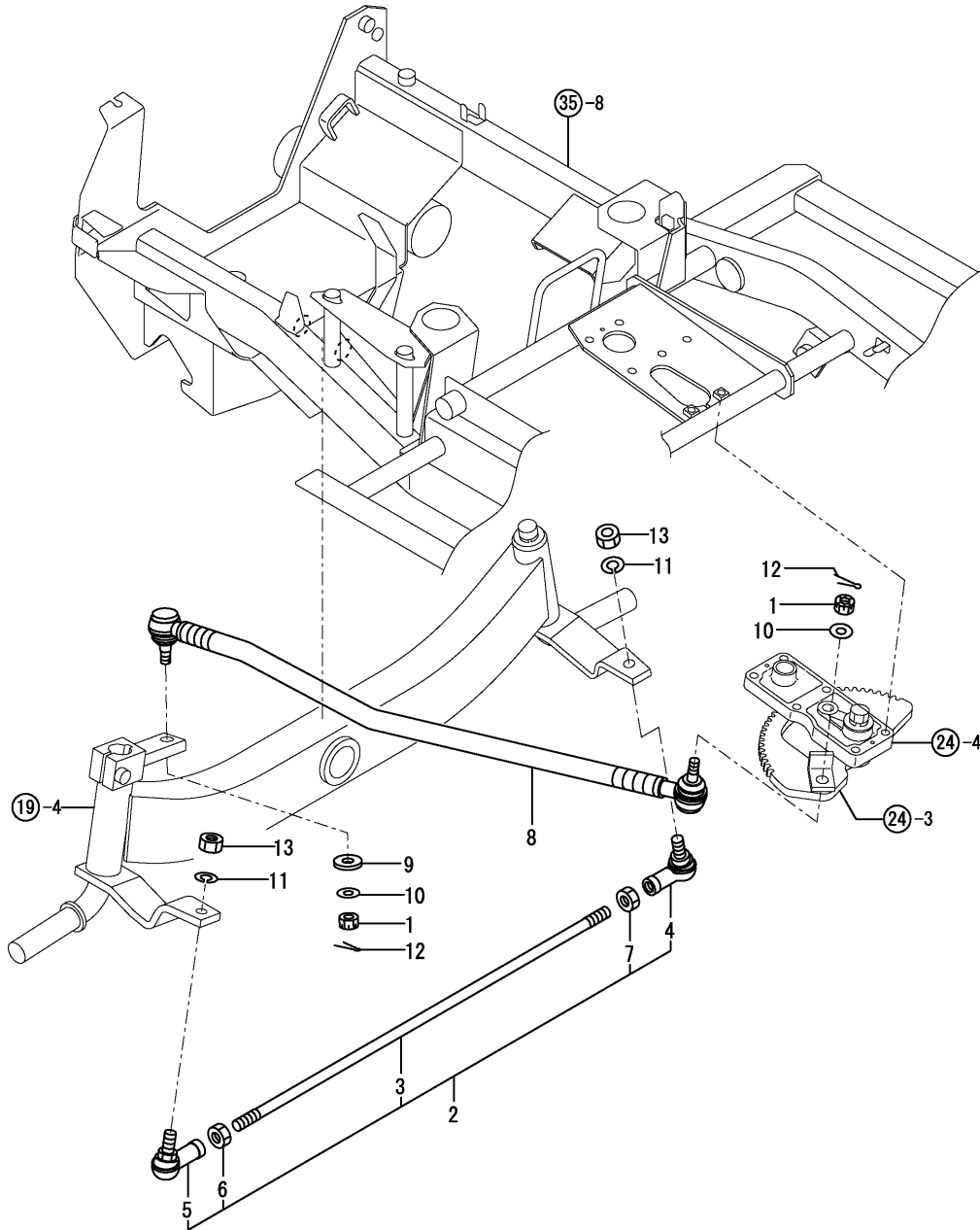


NPC-4678 24. GEAR(STEERING)

(A)=RD18
(B)=
(C)= (D)=
(E)=
(F)=

REF.	LEV.	PARTS NO.	DESCRIPTION	Q'TY						I	R
				(A)	(B)	(C)	(D)	(E)	(F)		
1	1	1A6750-15350	GEAR, STEERING 7T	1							
2	1	1A6750-16250	SHAFT, ST STOPPER	1							
3	1	1A7550-25200	GEAR ASSY, STEERING	1							
4	1	1A6750-42000	BASE ASSY, STEERING	1							
5	2	1A6750-42010	BASE, STEERING	1							
6	2	22351-040010	SPRING PIN 4X10	2							
7	2	24550-015100	BUSH 15X10	2							
8	2	24550-020100	BUSH	2							
9	1	1C6980-42170	WASHER, 6X30X4.5	1							
10	1	22137-140000	WASHER 14,POLISHED	2							
11	1	22157-100000	WASHER 10	1							
12	1	22242-000150	CIRCLIP 15	1							
13	1	24311-000150	O-RING 1A P-15.0	2							
14	1	24311-000200	O-RING 1A P-20.0	2							
15	1	26016-060162	BOLT M 6X 16	1							
16	1	26016-080352	BOLT M 8X 35	2							
17	1	26016-100162	BOLT M10X 16	1							

Fig.25. FRONT LINK



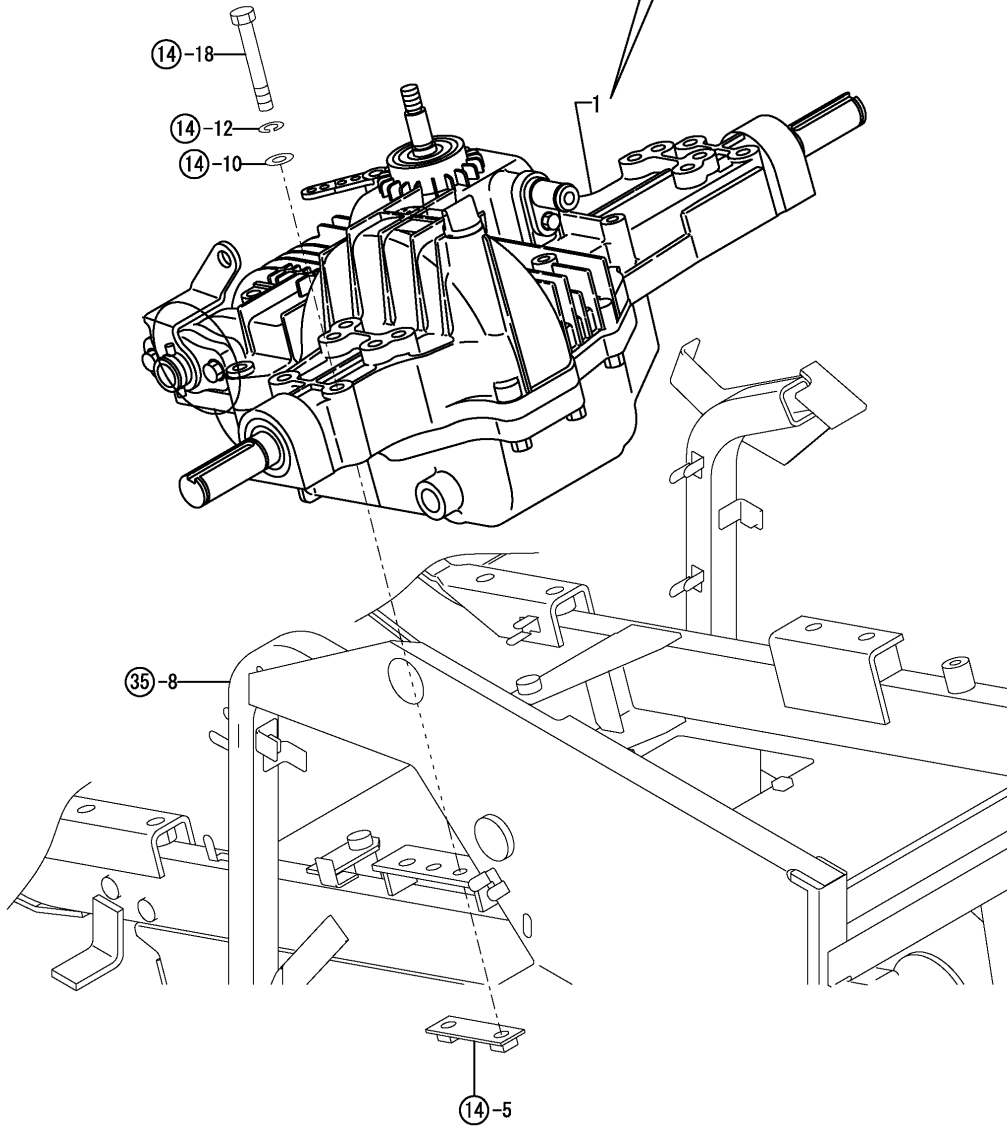
(A)=RD18
(B)=
(C)= (D)=
(E)=
(F)=

REF.	LEV.	PARTS NO.	DESCRIPTION	Q'TY						I	R
				(A)	(B)	(C)	(D)	(E)	(F)		
1	1	194215-12340	NUT M10	2							
2	1	1A7550-26040	TIE ROD CMP	1							
3	2	1A7550-26050	TIE ROD 12X558	1							
4	2	1C6980-42310	BALL, LINK	1							
5	2	1C6980-42320	BALL, LINK RBL12DL	1							
6	2	1C6980-42330	NUT M12X1.25	1							
7	2	26776-120002	LOCK NUT M12 PLATED	1							
8	1	1A7550-26100	DRUG-ROD CMP (12)	1							
9	1	1E8232-51020	COLLAR 12.5X30X4.5	1							
10	1	22137-100000	WASHER 10,POLISHED	2							
11	1	22217-120000	SPRING WASHER 12	2							
12	1	22417-250250	COTTER PIN 2.5X25	2							
13	1	26736-120002	NUT M12	2							

Fig.26. TRANSAXLE KIT

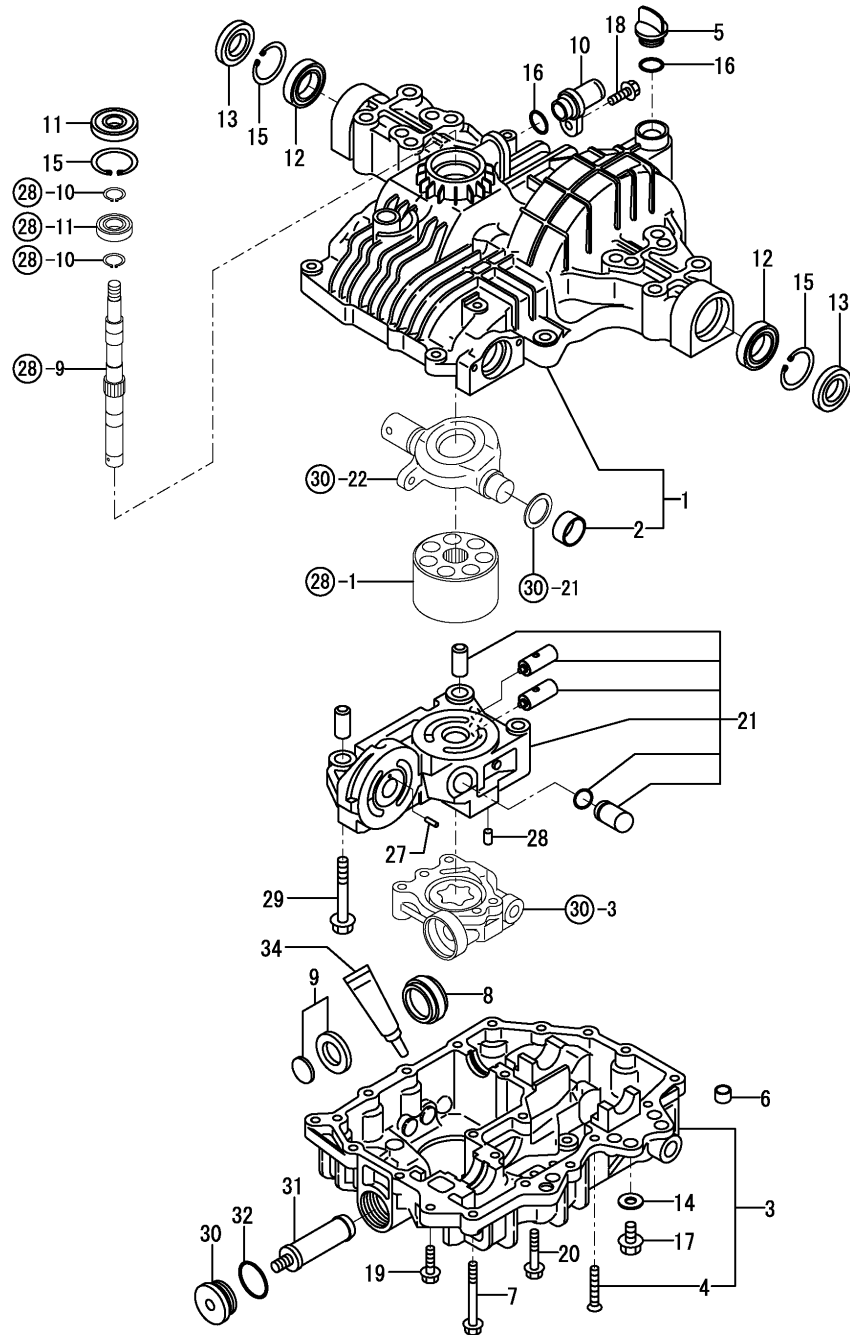
(A)=RD18 (D)=
(B)= (E)=
(C)= (F)=

INNER PARTS ARE SHOWN IN
Fig 27, 28, 29, 30, 31, 32, 33, 34



REF.	LEV.	PARTS NO.	DESCRIPTION	Q'TY						I	R	
				(A)	(B)	(C)	(D)	(E)	(F)			
1	1	7A6370-24100	TRANSAXLE KIT	1								

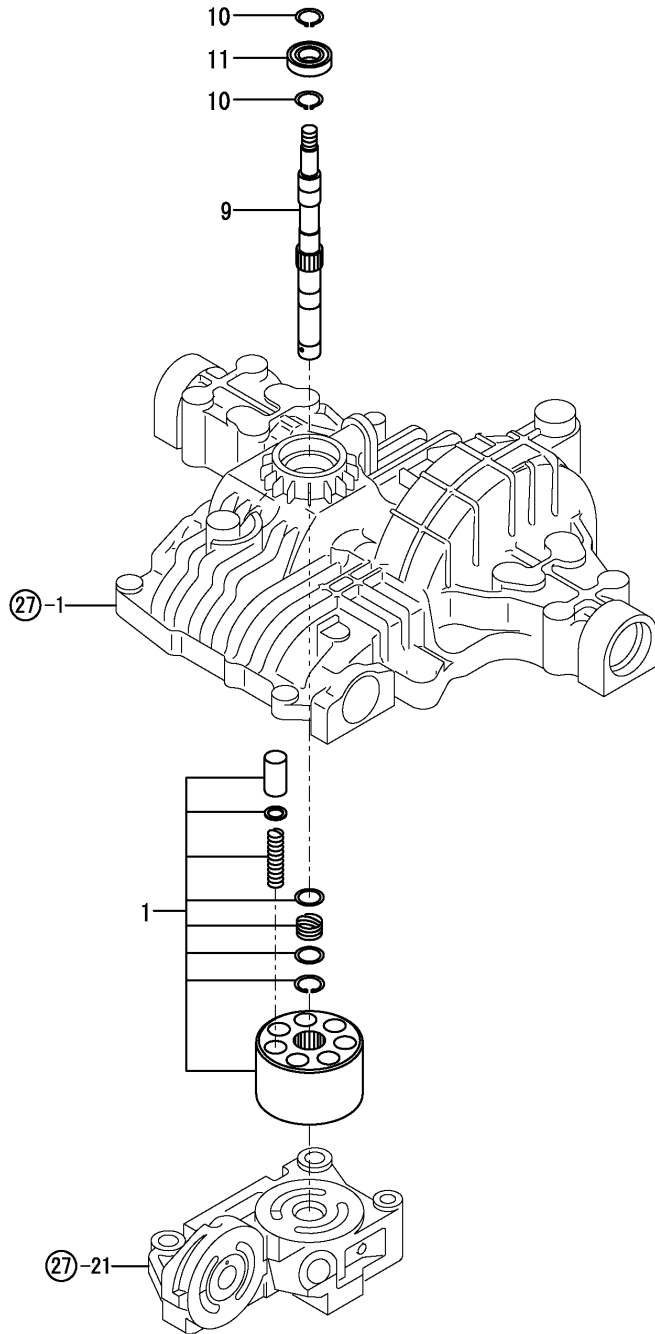
Fig.27. TRANSAXLE CASE



(A)=RD18
(B)=
(C)= (D)=
(E)=
(F)=

REF.	LEV.	PARTS NO.	DESCRIPTION	Q'TY						I	R
				(A)	(B)	(C)	(D)	(E)	(F)		
1	1	1A6370-24100	HOUSING ASSY, UPPER	1							
2	2	24550-028150	BUSH 28X15	1							
3	1	1A6370-24130	HOUSING ASSY, LOWER	1							
4	2	26476-080452	TAPPING SCREW 8* 45	2							
5	1	1A6320-24300	CAP(M20B)	1							
6	1	1A6370-24310	PIPE, 13X11.3	2							
7	1	192154-24310	BOLT, M8X75	2							
8	1	1A6320-24320	FILTER(25	1							
9	1	192163-24350	MAGNET ASSY	1							
10	1	1A6370-24460	FITTING	1							
11	1	192167-25260	SEAL	1							
12	1	192167-34140	BEARING,	2							
13	1	192167-34250	SEAL, 25.4X47X8	2							
14	1	22190-100000	SEAL WASHER 10(BOLT)	2							
15	1	22252-000470	CIRCLIP 47(H)	3							
16	1	24311-000180	O-RING 1A P-18.0	2							
17	1	26106-100122	BOLT M10X 12 PLATED	2							
18	1	26476-080252	BOLT M8X 25	1							
19	1	26476-080302	BOLT M 8X 30	16							
20	1	26476-080452	TAPPING SCREW 8* 45	1							
21	1	1A6370-24500	CASE ASSY, CENTER	1							
27	1	192168-24760	PIN, 3X9.8	1							
28	1	22312-080140	PIN 8X14,STRAIGHT	2							
29	1	26106-100752	BOLT M10X 75 PLATED	3							
30	1	1A6370-24380	CAP, M40	1							
31	1	1A6370-26450	FILTER	1							
32	1	24351-020400	PACKING, 2040	1							
34	1	194855-24020	SEALANT, TUBE	1							

Fig.28. TRANSAXLE(PUMP SHAFT)

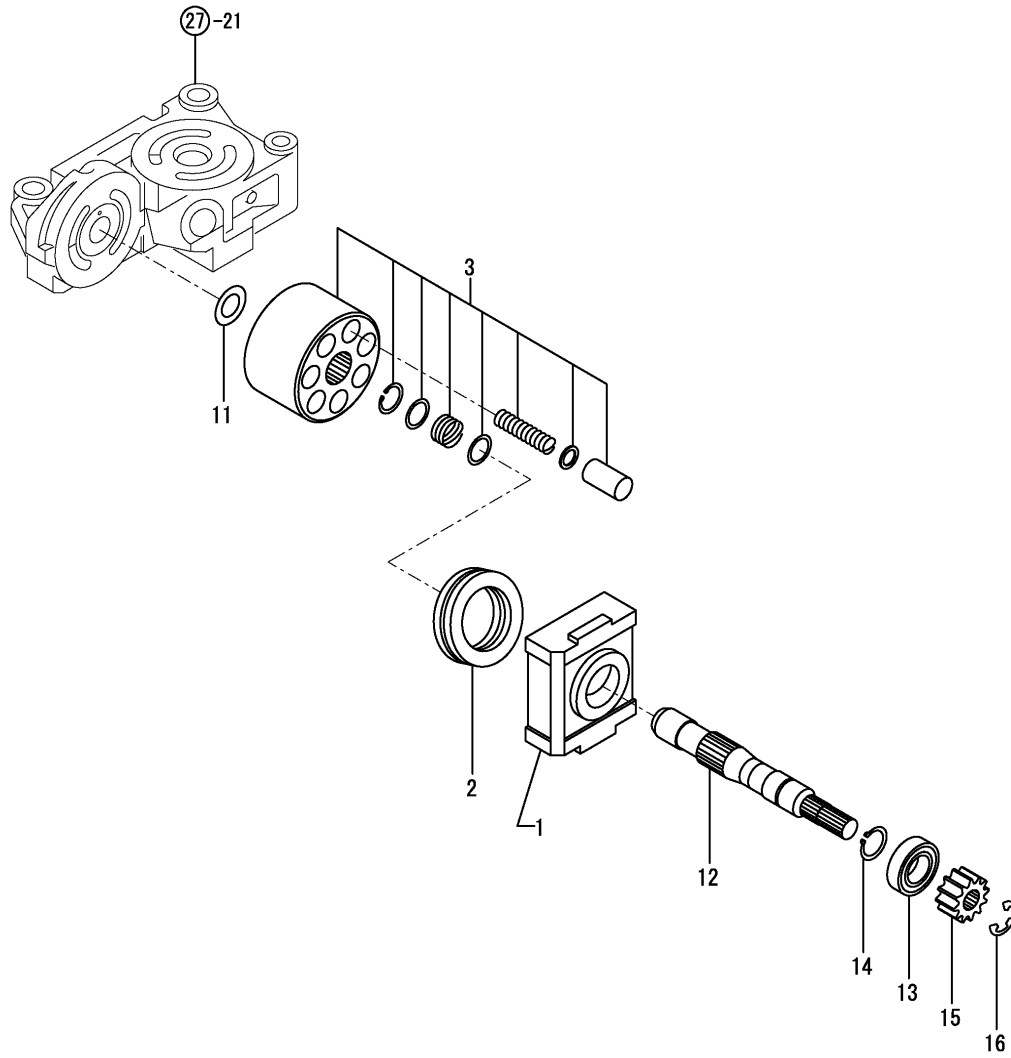


NPC-4678 28. TRANSAXLE(PUMP SHAFT)

(A)=RD18 (D)=
 (B)= (E)=
 (C)= (F)=

REF.	LEV.	PARTS NO.	DESCRIPTION	Q'TY						I	R
				(A)	(B)	(C)	(D)	(E)	(F)		
1	1	187Q01-25010	CYLINDER BLOCK CMP	1							
9	1	1A6370-25261	SHAFT, PUMP	1							
10	1	192167-25310	CIRCLIP,17	2							
11	1	24101-063034	BALL BEARING	1							

Fig.29. TRANSAXLE(MOTOR SHAFT)

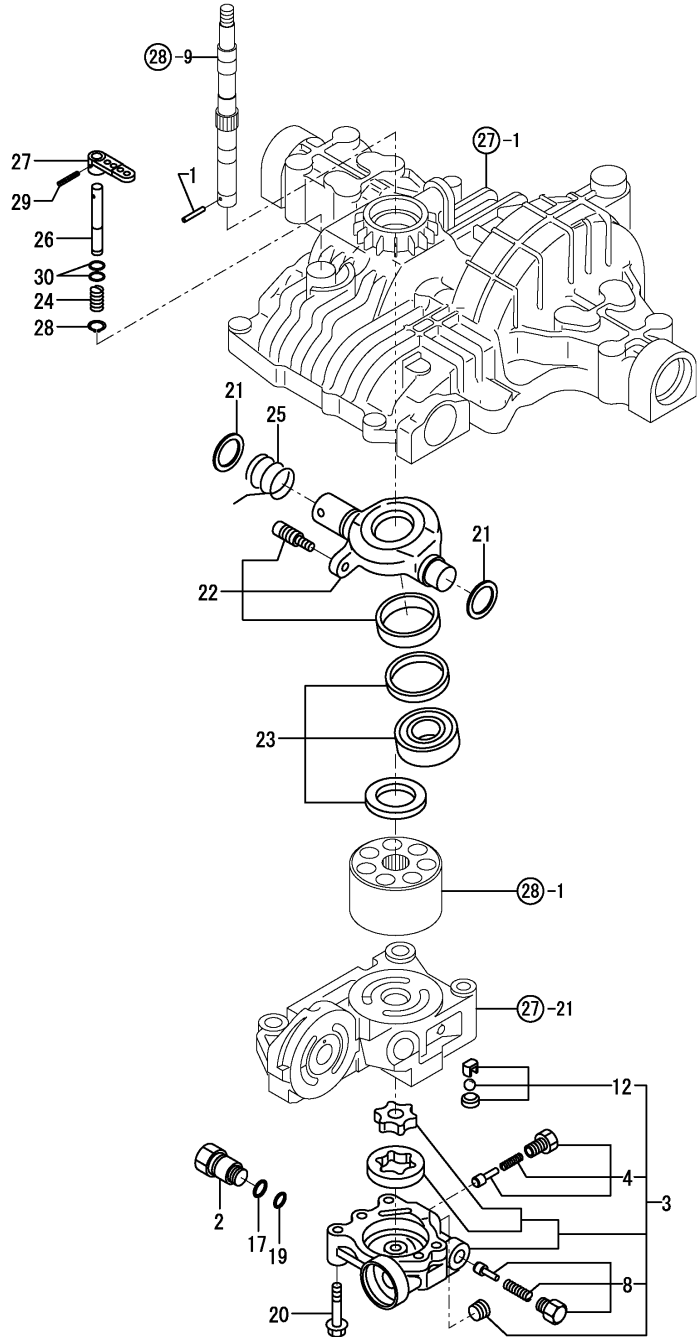


(A)=RD18 (D)=
 (B)= (E)=
 (C)= (F)=

REF.	LEV.	PARTS NO.	DESCRIPTION	Q'TY						I	R
				(A)	(B)	(C)	(D)	(E)	(F)		
1	1	1A6370-24210	HOUSING	1							
2	1	192167-24240	BEARING, 51207	1							
3	1	187Q01-25010	CYLINDER BLOCK CMP	1							
11	1	1A6370-25230	WASHER, 18X31X1	1							
12	1	1A6370-25270	SHAFT, MOTOR	1							
13	1	1A6370-25330	BEARING, BALL	1							
14	1	1A6370-25370	CIRCLIP, C20	1							
15	1	1A6370-25400	GEAR, MOTOR	1							
16	1	192154-85310	CIRCLIP, E15	1							

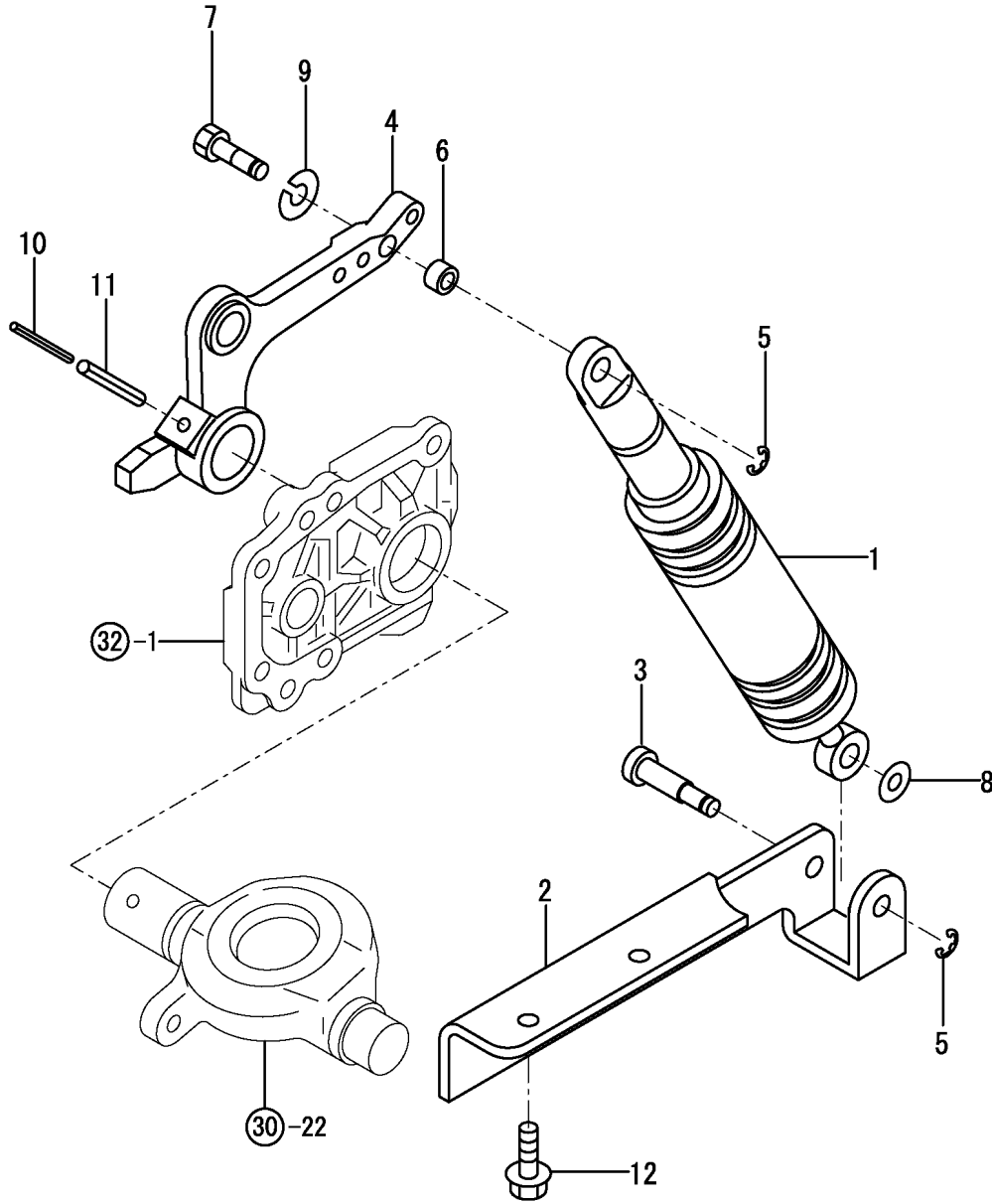
Fig.30. TRANSAXLE(PUMP & CHANGE)

(A)=RD18
(B)=
(C)= (D)=
(E)=
(F)=



REF.	LEV.	PARTS NO.	DESCRIPTION	Q'TY						I	R
				(A)	(B)	(C)	(D)	(E)	(F)		
1	1	192167-26080	PIN, 3.2X21	1							
2	1	192167-26200	CONNECTOR	2							
3	1	1A6370-26390	CASE ASSY, PUMP SUB	1							
4	2	192167-26250	VALVE ASSY	1							
8	2	192167-26300	VALVE ASSY, CHARGE	1							
12	2	1A6370-26350	CHECK ASSY, 3RD	1							
17	1	1A6370-26480	O-RING	2							
19	1	194850-49290	PACKING 6-1	2							
20	1	26106-080452	BOLT M 8X 45 PLATED	3							
21	1	198167-24530	WASHER	2							
22	1	1A6370-27101	PLATE ASSY, SWASH	1							
23	1	192167-27141	BEARING ASSY	1							
24	1	192154-27281	SPRING	1							
25	1	1A6370-27510	SPRING, CENTERING	1							
26	1	1A6320-29510	SHAFT, BY-PASS	1							
27	1	1A6370-29530	LEVER, BY-PASS	1							
28	1	192168-29570	CIRCLIP, 10	1							
29	1	22351-030020	SPRING PIN 3X20	1							
30	1	24311-240100	O-RING 1A P-10A	2							

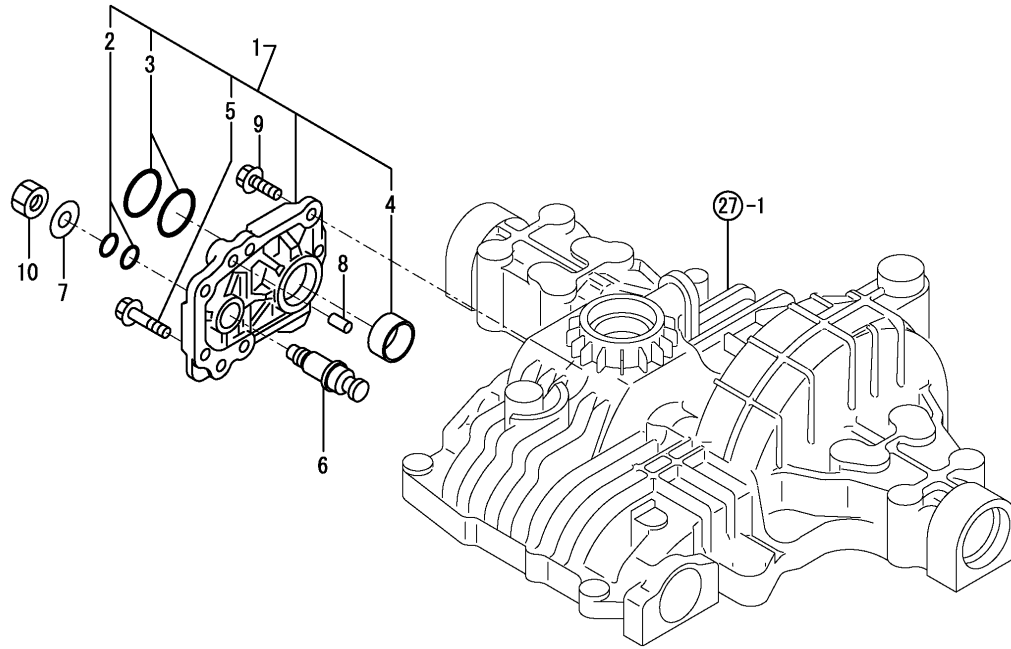
Fig.31. TRANSAXLE(SHOCK ABSORBER)



(A)=RD18 (D)=
(B)= (E)=
(C)= (F)=

REF.	LEV.	PARTS NO.	DESCRIPTION	Q'TY						I	R
				(A)	(B)	(C)	(D)	(E)	(F)		
1	1	1A6370-29610	ABSORBER, SHOCK	1							
2	1	1A6370-29630	STAY, SHOCK ABSORBER	1							
3	1	1A6370-29640	PIN, SHOCK ABSORBER	1							
4	1	1A6370-29660	LEVER, CONTROL	1							
5	1	1A6370-29670	CIRCLIP, 8	2							
6	1	1A6370-29680	COLLAR, 8X12.7	1							
7	1	1A6370-29800	BOLT	1							
8	1	22117-080000	WASHER 8	1							
9	1	22217-100000	SPRING WASHER 10	1							
10	1	22351-035050	SPRING PIN 3.5X50	1							
11	1	22351-060050	SPRING PIN 6X50	1							
12	1	26476-080252	BOLT M8X 25	2							

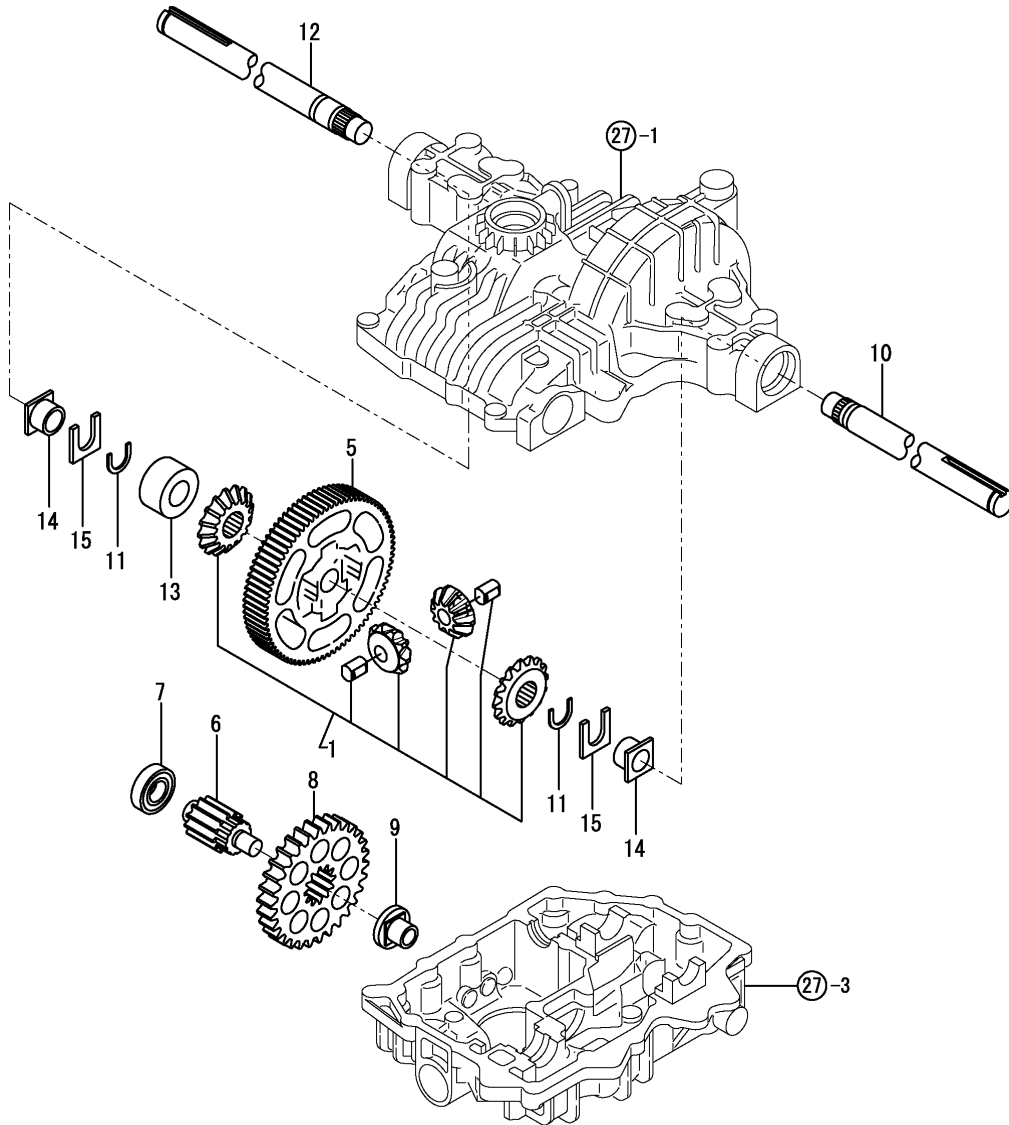
Fig.32. TRANSAXLE(COVER, SIDE)



(A)=RD18 (D)=
 (B)= (E)=
 (C)= (F)=

REF.	LEV.	PARTS NO.	DESCRIPTION	Q'TY						I	R
				(A)	(B)	(C)	(D)	(E)	(F)		
1	1	1A6370-24201	COVER SET, SIDE R	1							
2	2	24311-000140	O-RING 1A P-14.0	2							
3	2	24311-000280	O-RING 1A P-28.0	2							
4	2	24550-028150	BUSH 28X15	1							
5	2	26106-080352	BOLT M 8X 35 PLATED	6							
6	1	1A6370-29700	FULCRUM	1							
7	1	22137-120000	WASHER 12,POLISHED	1							
8	1	22312-080160	PARALLEL PIN 8X 16	2							
9	1	26106-080252	BOLT M 8X 25 PLATED	1							
10	1	26776-120002	LOCK NUT M12 PLATED	1							

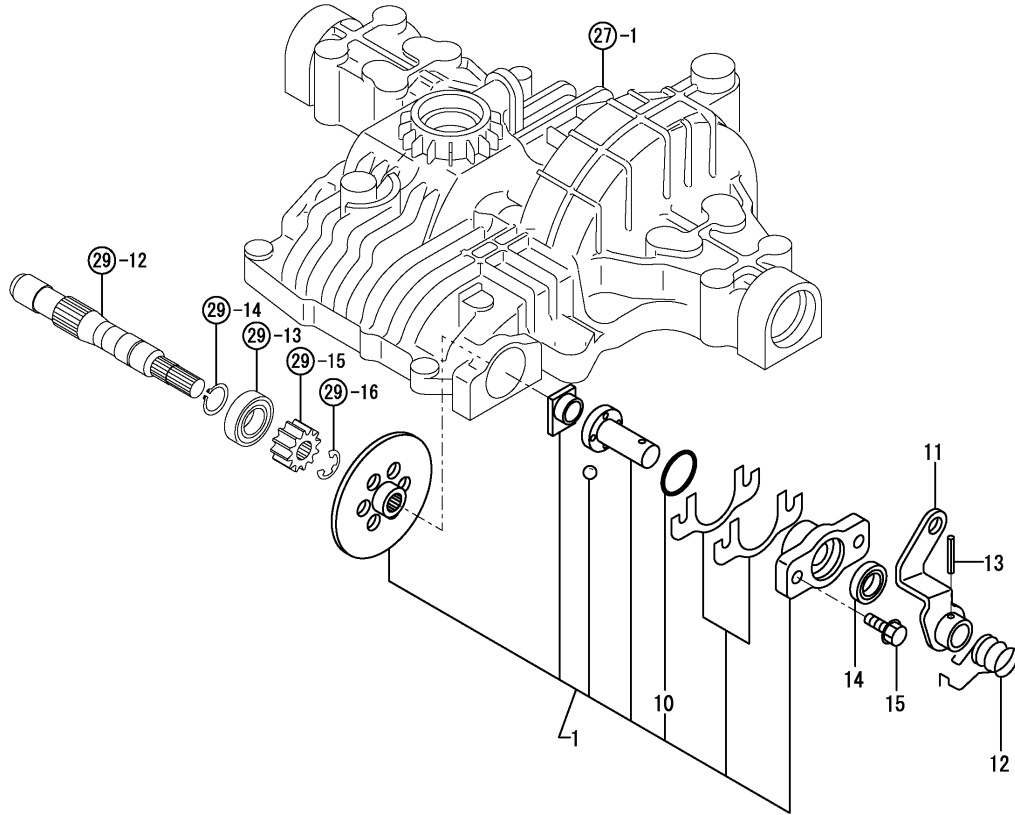
Fig.33. TRANSAXLE(GEAR & SHAFT)



(A)=RD18
(B)=
(C)= (D)=
(E)=
(F)=

REF.	LEV.	PARTS NO.	DESCRIPTION	Q'TY						I	R
				(A)	(B)	(C)	(D)	(E)	(F)		
1	1	1A6370-31570	GEAR KIT, DIFF.	1							
5	1	1A6370-33551	GEAR, FINAL P/M	1							
6	1	1A6370-33420	SHAFT, FINAL PINION	1							
7	1	192167-33421	BEARING, 6203SH2	1							
8	1	1A6370-33451	GEAR, REDUCTION	1							
9	1	1A6370-33470	BUSH, 15	1							
10	1	1A6370-34120	SHAFT, AXLE L	1							
11	1	192167-34160	CIRCLIP, 23	2							
12	1	1A6370-34200	SHAFT, AXLE R	1							
13	1	1A6370-34230	COLLAR	1							
14	1	192167-34240	BUSH, 25.4	2							
15	1	1A6320-34290	THRUST WASHER	2							

Fig.34. TRANSAXLE(BRAKE)

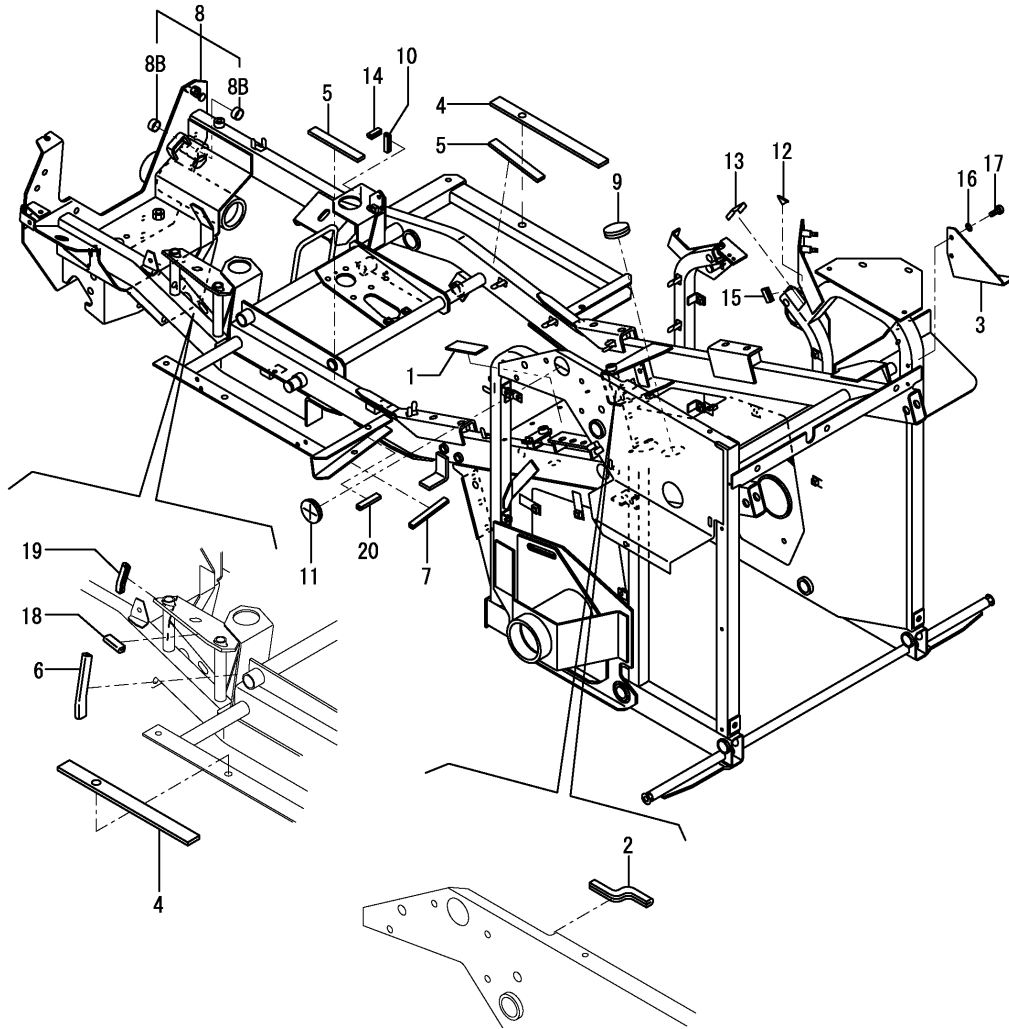


NPC-4678 34. TRANSAXLE(BRAKE)

(A)=RD18 (D)=
 (B)= (E)=
 (C)= (F)=

REF.	LEV.	PARTS NO.	DESCRIPTION	Q'TY						I	R
				(A)	(B)	(C)	(D)	(E)	(F)		
1	1	1A6370-36100	BRAKE KIT	1							
10	2	24321-000350	O-RING 1A G-35.0	1							
11	1	1A6370-36251	ARM, BRAKE	1							
12	1	1A6370-36361	SPRING, RETURN	1							
13	1	22351-060040	SPRING PIN 6X40	1							
14	1	24421-173007	SEAL TC17 30 07, OIL	1							
15	1	26106-080252	BOLT M 8X 25 PLATED	2							

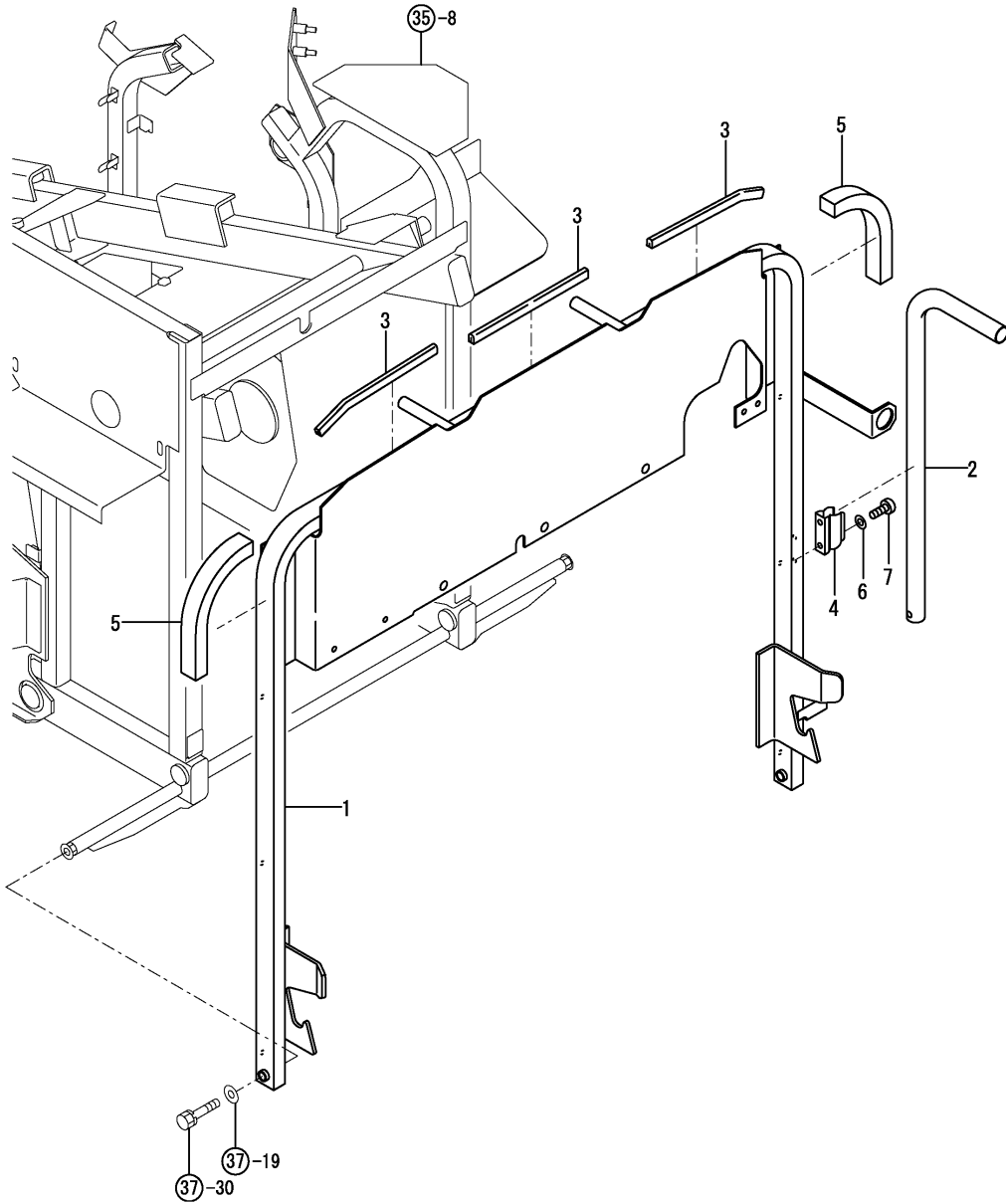
Fig.35. CHASSIS FRAME



(A)=RD18
(B)=
(C)= (D)=
(E)=
(F)=

REF.	LEV.	PARTS NO.	DESCRIPTION	Q'TY						I	R
				(A)	(B)	(C)	(D)	(E)	(F)		
1	1	1A7450-04650	RUBBER,TANK CUSHION	1							
2	1	1A6240-10380	RUBBER, 90	1							
3	1	1A7550-31790	L PLATE	1							
4	1	1A7550-31900	RUBBER 6X25X275	2							
5	1	1A7550-31920	RUBBER 6X18X125	2							
6	1	1A7550-32160	RUBBER,110	1							
7	1	1A7550-32160	RUBBER,110	2							
8	1	1A7550-32200	CHASSIS (M CMP	1							
8B	3	24550-018100	BUSH 18X10	2							
9	1	105340-44220	PLUG	1							
10	1	198448-61480	TRIM 35	1							
11	1	1E8945-62320	GROMMET 36	1							
12	1	198163-65220	PLATE,RUBBER A	1							
13	1	198163-65260	PLATE,RUBBER E	1							
14	1	198463-87070	TRIM, 25	1							
15	1	198463-87070	TRIM, 25	1							
16	1	22137-060000	WASHER 6, POLISHED	2							
17	1	1A7550-32280	SCREW, 6.0 X 12	2							
18	1	198448-61480	TRIM, 35	1							
19	1	195616-24930	TRIM	1							
20	1	195616-24930	TRIM	1							

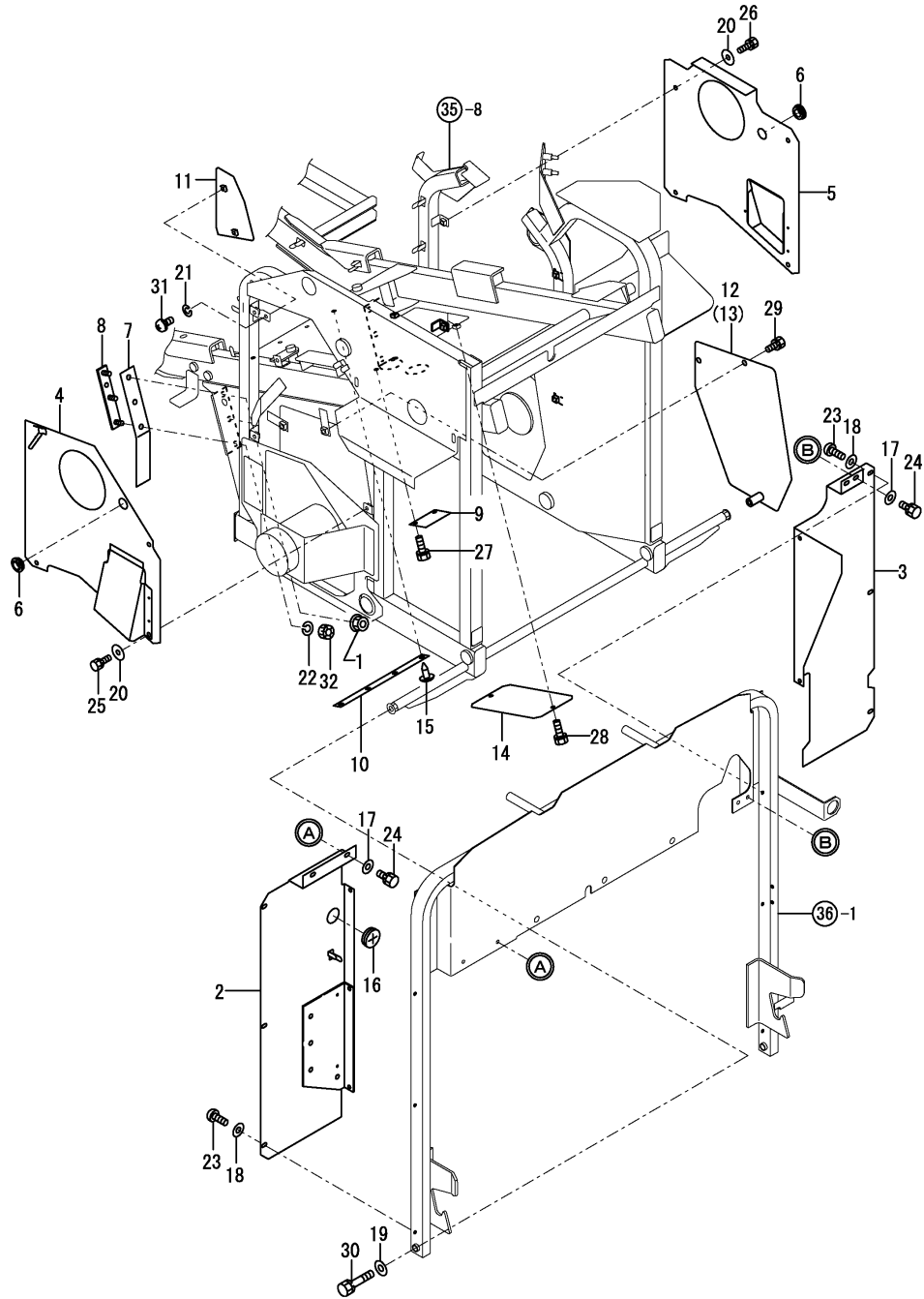
Fig.36. FRAME, REAR



(A)=RD18 (D)=
 (B)= (E)=
 (C)= (F)=

REF.	LEV.	PARTS NO.	DESCRIPTION	Q'TY						I	R
				(A)	(B)	(C)	(D)	(E)	(F)		
1	1	1A7550-32000	FLAME REAR CMP (12)	1							
2	1	1A7550-35800	PIPE (12)	1							
3	1	1A6211-61820	RUBBER, 200	3							
4	1	1A7550-75400	SPRING 0.6X55	1							
5	1	1E8511-75560	SEAL 20X25X190	2							
6	1	22137-060000	WASHER 6, POLISHED	2							
7	1	1A7550-32280	SCREW, 6.0 X 12	2							

Fig.37. CHASSIS COVER

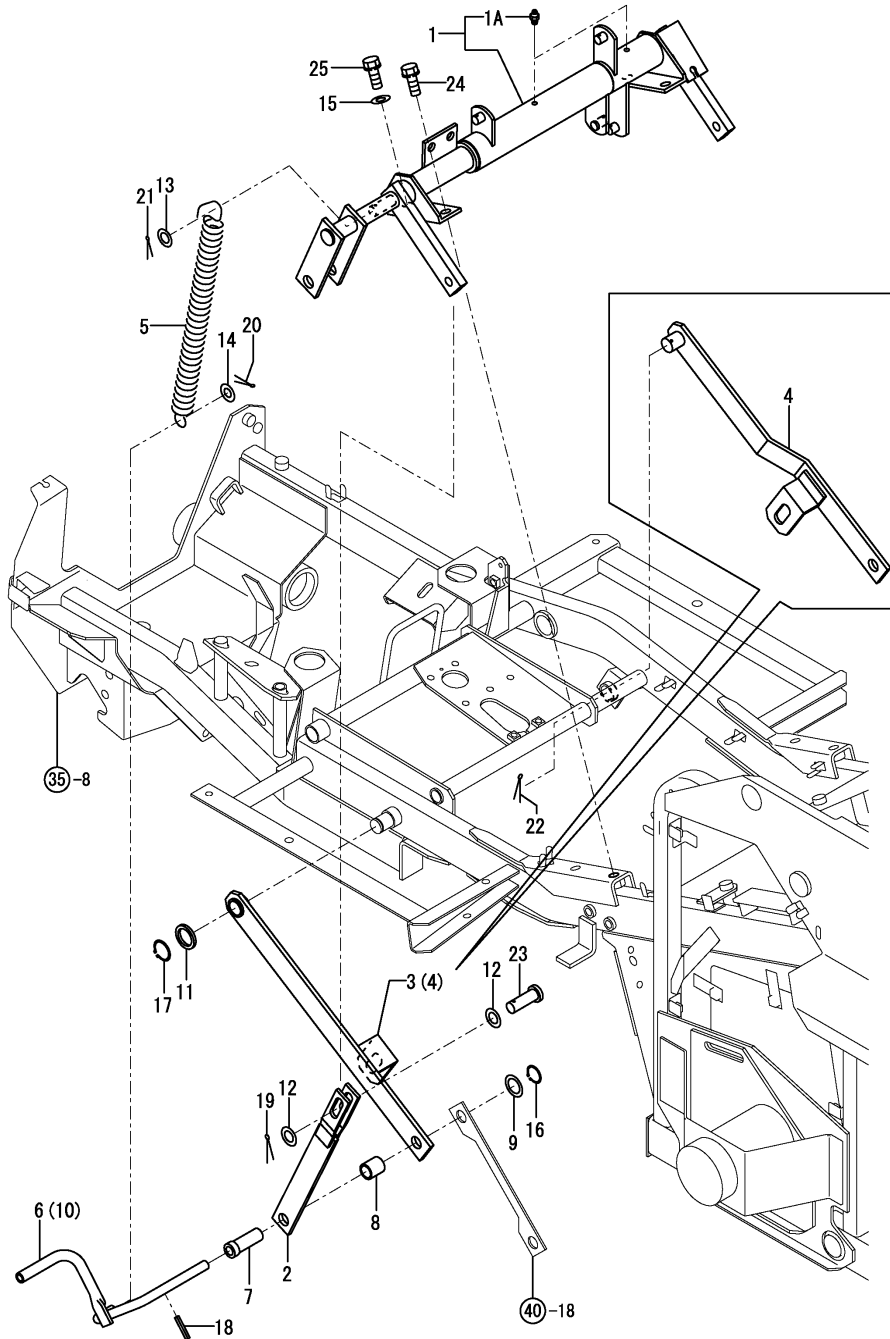


(A)=RD18
(B)=
(C)=
(D)=
(E)=
(F)=

REF.	LEV.	PARTS NO.	DESCRIPTION	Q'TY						I	R
				(A)	(B)	(C)	(D)	(E)	(F)		
1	1	194990-22050	NUT W/WASHER 8	4							
2	1	1A7550-32090	COVER L	1							
3	1	1A7550-32110	COVER R	1							
4	1	1A7550-32500	COVER L CMP	1							
5	1	1A7550-32520	COVER R CMP	1							
6	1	1A7550-32530	GROMMETS 20A	2							
7	1	1A7550-32550	RUBBER 35X240X1	2							
8	1	1A7550-32560	PLATE 22X120X3	2							
9	1	1A7550-32610	PLATE 45X66X1.6	1							
10	1	1A7550-32620	PLATE,RUBBER	1							
11	1	1A7550-32630	COVER,CHAIN	1							
12	1	1A7550-32700	COVER L	1							
13	1	1A7550-32710	COVER R	1							
14	1	1A7550-32750	COVER	1							
15	1	1C6780-37180	FASTENER,CUSHION	4							
16	1	1E6910-83500	GROMMET 30 W/FILM	1							
17	1	22137-060000	WASHER 6, POLISHED	4							
18	1	22137-060000	WASHER 6, POLISHED	12							
19	1	22137-100000	WASHER 10,POLISHED	2							
20	1	22157-060000	WASHER 6	8							
21	1	22217-060000	SPRING WASHER 6	2							
22	1	22217-080000	SPRING WASHER 8	2							
23	1	1A7550-32280	SCREW, 6.0 X 12	12							
24	1	26013-060122	BOLT M 6X 12	4							
25	1	26013-060162	BOLT M 6X 16	4							
26	1	26013-060162	BOLT M 6X 16	4							
27	1	26013-060162	BOLT M 6X 16	2							
28	1	26013-060162	BOLT M 6X 16	2							
29	1	26013-080162	BOLT W/WASHER M8X16	6							
30	1	26013-100452	BOLT M10X 45	2							
31	1	26589-060122	SCREW 6* 12	2							
32	1	26817-080002	CASTLE NUT M 8	2							

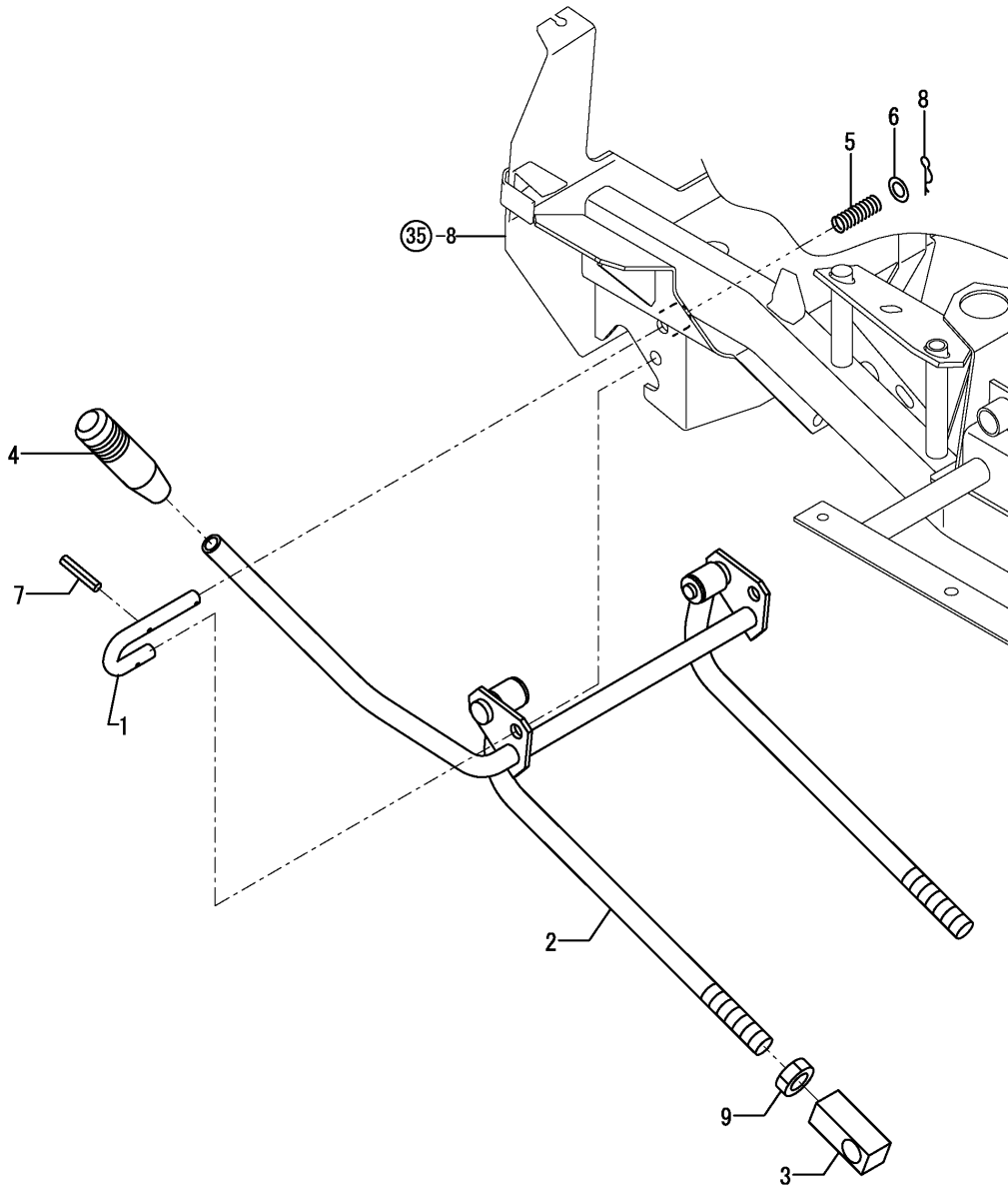
Fig.38. LIFT LINK(REAR)

(A)=RD18
(B)=
(C)= (D)=
(E)=
(F)=



REF.	LEV.	PARTS NO.	DESCRIPTION	Q'TY						I R
				(A)	(B)	(C)	(D)	(E)	(F)	
1	1	1A7550-35010	LINK,CENTER (12)	1						
2	1	1A7550-35200	LINK B	2						
3	1	1A7550-35300	LINK C L	1						
4	1	1A7550-35350	LINK C R	1						
5	1	1A7550-35450	SPLING 24.5X230	2						
6	1	1A7550-35500	PIN,REAR L	1						
7	1	1A7550-35550	BOSS 17X12.1X53	2						
8	1	1A7550-35560	COLLAR 21.7X2.3X24	2						
9	1	1A7550-35570	COLLAR 25X17X2	2						
10	1	1A7550-35600	PIN,REAR R	1						
11	1	1E6650-63400	COLLAR 20.2X27.2X3M	2						
12	1	22117-120000	WASHER 12	4						
13	1	22117-140000	WASHER 14	1						
14	1	22137-120000	WASHER 12,POLISHED	2						
15	1	22137-120000	WASHER 12,POLISHED	1						
16	1	22242-000170	CIRCLIP 17	2						
17	1	22242-000200	CIRCLIP 20	1						
18	1	22351-030016	SPRING PIN 3X16	2						
19	1	22417-250250	COTTER PIN 2.5X25	2						
20	1	22417-250250	COTTER PIN 2.5X25	2						
21	1	22417-250250	COTTER PIN 2.5X25	1						
22	1	22417-250320	COTTER PIN 2.5X 32	1						
23	1	22487-120300	PIN 12X 30	2						
24	1	26013-120252	BOLT M12X 25	3						
25	1	26013-120302	BOLT W/WASHER M12X30	1						

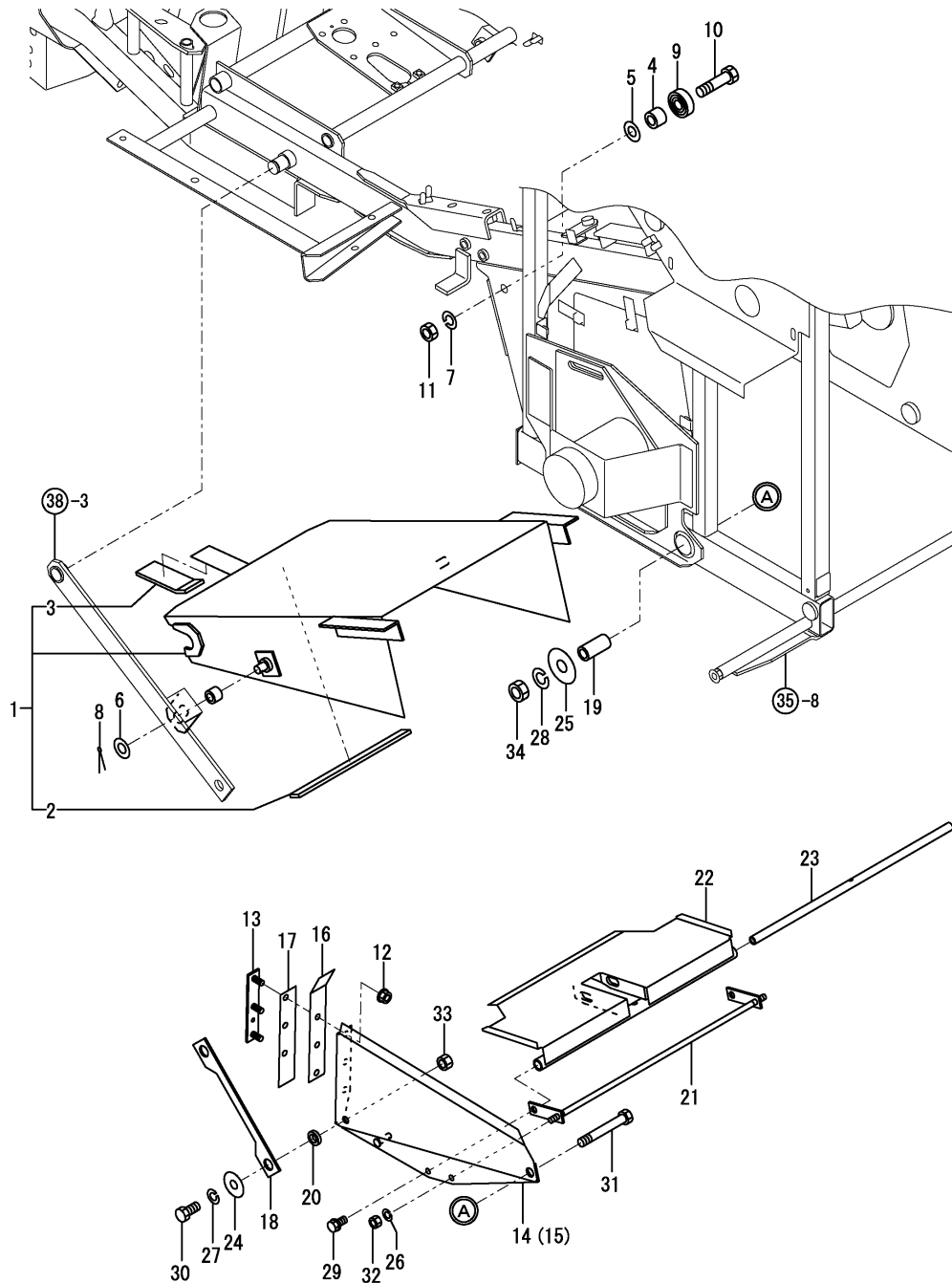
Fig.39. LIFT LINK(FRONT)



(A)=RD18
 (B)=
 (C)= (D)=
 (E)=
 (F)=

REF.	LEV.	PARTS NO.	DESCRIPTION	Q'TY					
				(A)	(B)	(C)	(D)	(E)	(F)
1	1	1A6150-35050	U-FITTINGS	2					
2	1	1A7550-35700	HITCH,FRONT CMP	1					
3	1	1A7550-35750	HOOK,FRONT HITCH	2					
4	1	1E8060-67750	GRIP,CONTROL LVR.BLK	1					
5	1	1T3660-87230	SPRING 14X42	2					
6	1	22117-120000	WASHER 12	2					
7	1	22351-040020	SPRING PIN 4X20	4					
8	1	22372-120000	SNAP PIN 12	2					
9	1	26776-180002	NUT M18,LOCK	2					

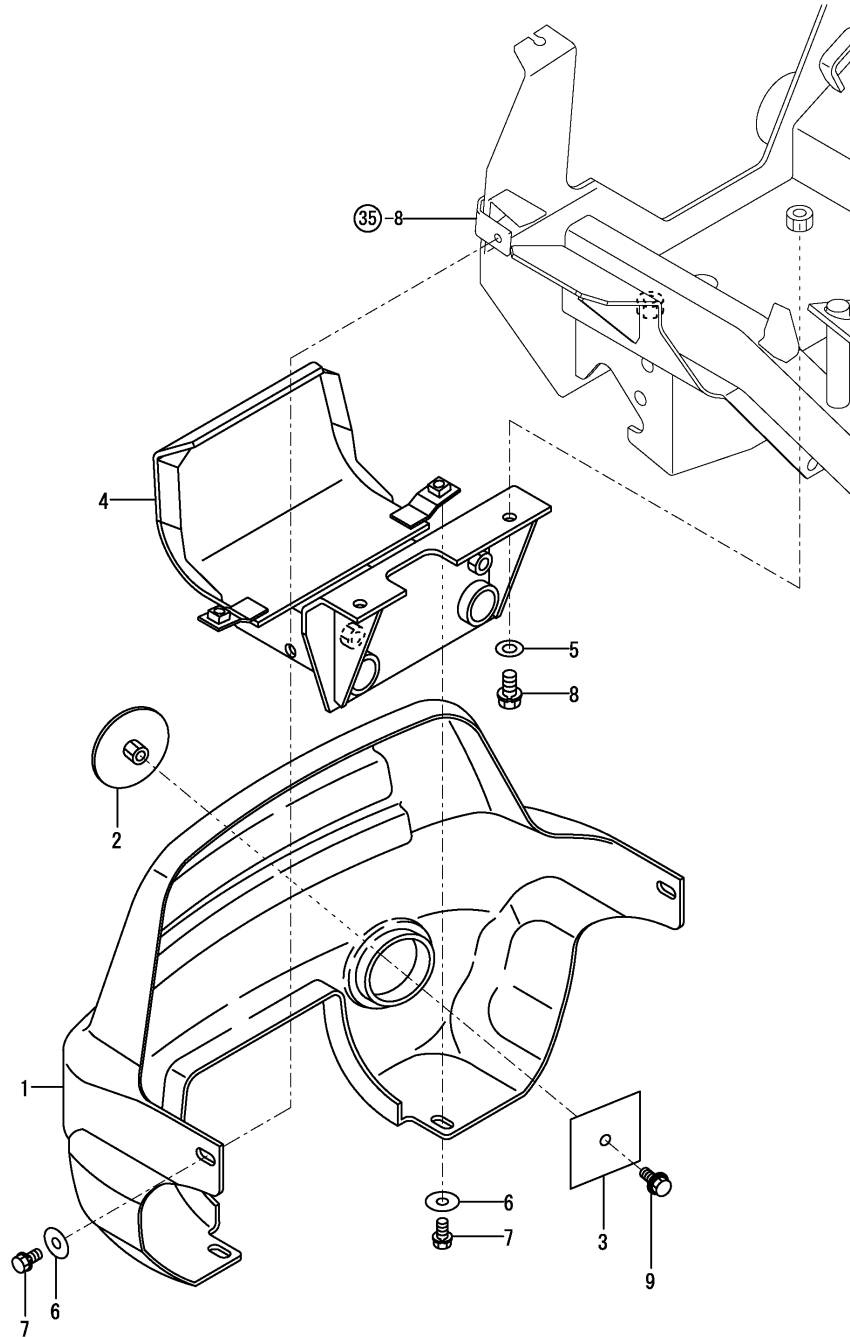
Fig.40. TOP PLATE & UNDER PLATE



(A)=RD18
(B)=
(C)= (D)=
(E)=
(F)=

REF.	LEV.	PARTS NO.	DESCRIPTION	Q'TY						I R
				(A)	(B)	(C)	(D)	(E)	(F)	
1	1	1A7550-36010	UPPER PLATE CMP	1						
2	2	1A7550-36750	RUBBER 5X20X230	1						
3	2	1A7550-36760	RUBBER 5X32X105	1						
4	1	1C6550-38630	COLLAR 10.2X20X15	2						
5	1	22137-120000	WASHER 12,POLISHED	2						
6	1	22137-120000	WASHER 12,POLISHED	2						
7	1	22217-120000	SPRING WASHER 12	2						
8	1	22417-250250	COTTER PIN 2.5X25	2						
9	1	24104-062014	BALL BEARING 6201UU	2						
10	1	26116-120452	BOLT M12X 45 PLATED	2						
11	1	26716-120002	NUT 12	2						
12	1	194990-22050	NUT W/WASHER 8	6						
13	1	1A7550-32560	PLATE 22X120X3	2						
14	1	1A7550-36510	GUIDE,PLATE L CMP	1						
15	1	1A7550-36520	GUIDE,PLATE R CMP	1						
16	1	1A7550-36560	SPRING LEAF 217X32	2						
17	1	1A7550-36580	RUBBER 30X166X1	2						
18	1	1A7550-36590	PLATE 32X221X3	2						
19	1	1A7550-36600	PIPE 21.7X3.7X45.3	2						
20	1	1A7550-36610	COLLAR 17.3X3.2X4	2						
21	1	1A7550-36620	JOINT,GUIDE CMP	1						
22	1	1A7550-36650	PLATE,BOTTOM CMP	1						
23	1	1A7550-36700	SHAFT	1						
24	1	22157-100000	WASHER 10	2						
25	1	22157-140000	WASHER 14	2						
26	1	22217-080000	SPRING WASHER 8	2						
27	1	22217-100000	SPRING WASHER 10	2						
28	1	22217-140000	SPRING WASHER 14	2						
29	1	26013-080252	BOLT M 8X 25	2						
30	1	26116-100252	BOLT M10X 25 PLATED	2						
31	1	26116-140702	BOLT M14X 70 PLATED	2						
32	1	26716-080002	NUT M 8	2						
33	1	26716-100002	NUT 10	2						
34	1	26716-140002	NUT M14	2						

Fig.41. BUMPER FRONT

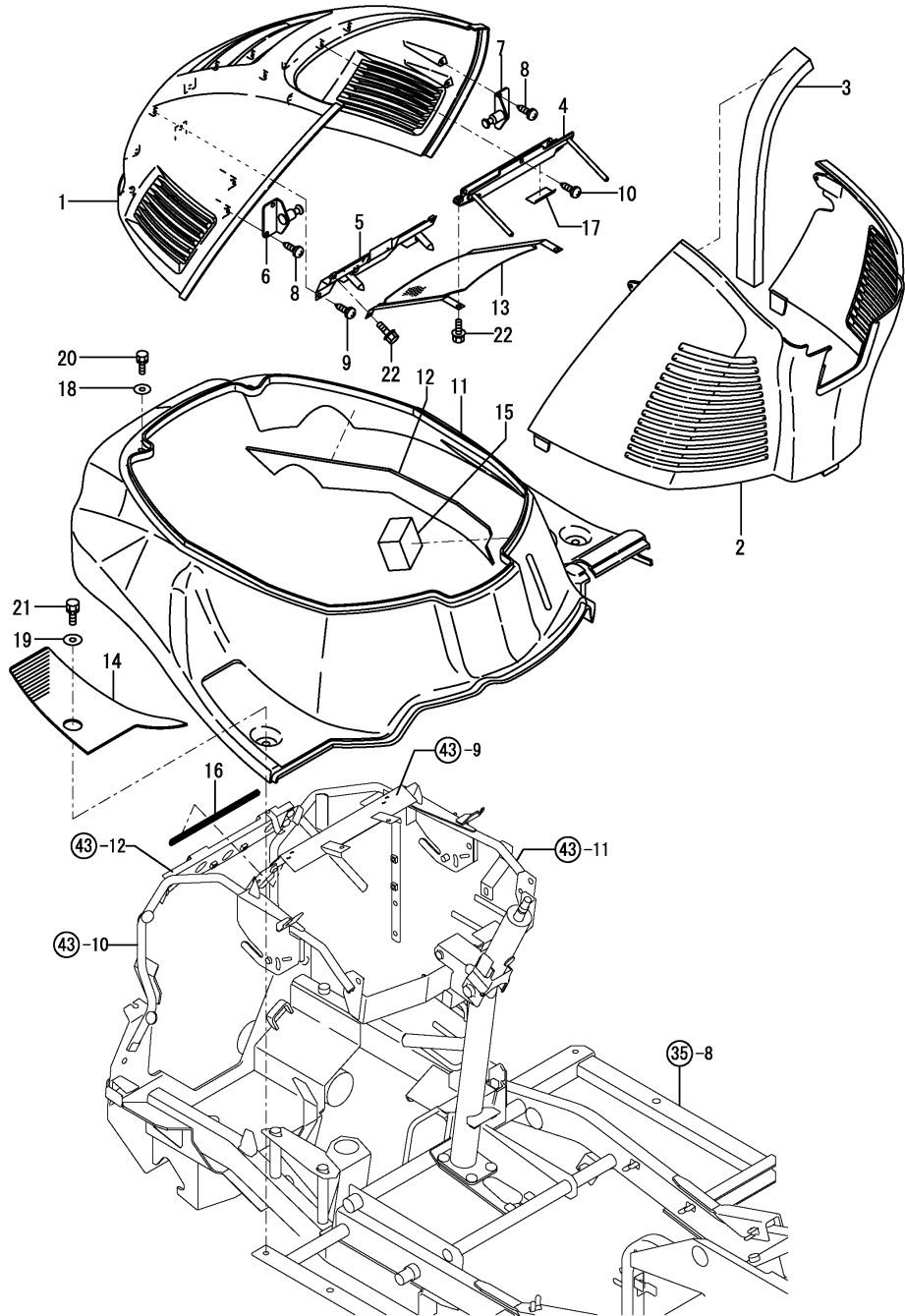


(A)=RD18 (D)=
 (B)= (E)=
 (C)= (F)=

REF.	LEV.	PARTS NO.	DESCRIPTION	Q'TY						I	R
				(A)	(B)	(C)	(D)	(E)	(F)		
1	1	1A7550-39000	COVER, BUMPER	1							
2	1	1A7550-39010	CAP (13)	1							
3	1	1A7550-39030	PLATE	1							
4	1	1A7550-39200	BUMPER (68)	1							
5	1	22137-100000	WASHER 10,POLISHED	4							
6	1	22157-080000	WASHER 8	4							
7	1	26013-080202	BOLT W/WASHER M8X20	4							
8	1	26013-100252	BOLT W/WASHER M10X25	4							
9	1	26018-080162	BOLT M 8X 16	1							

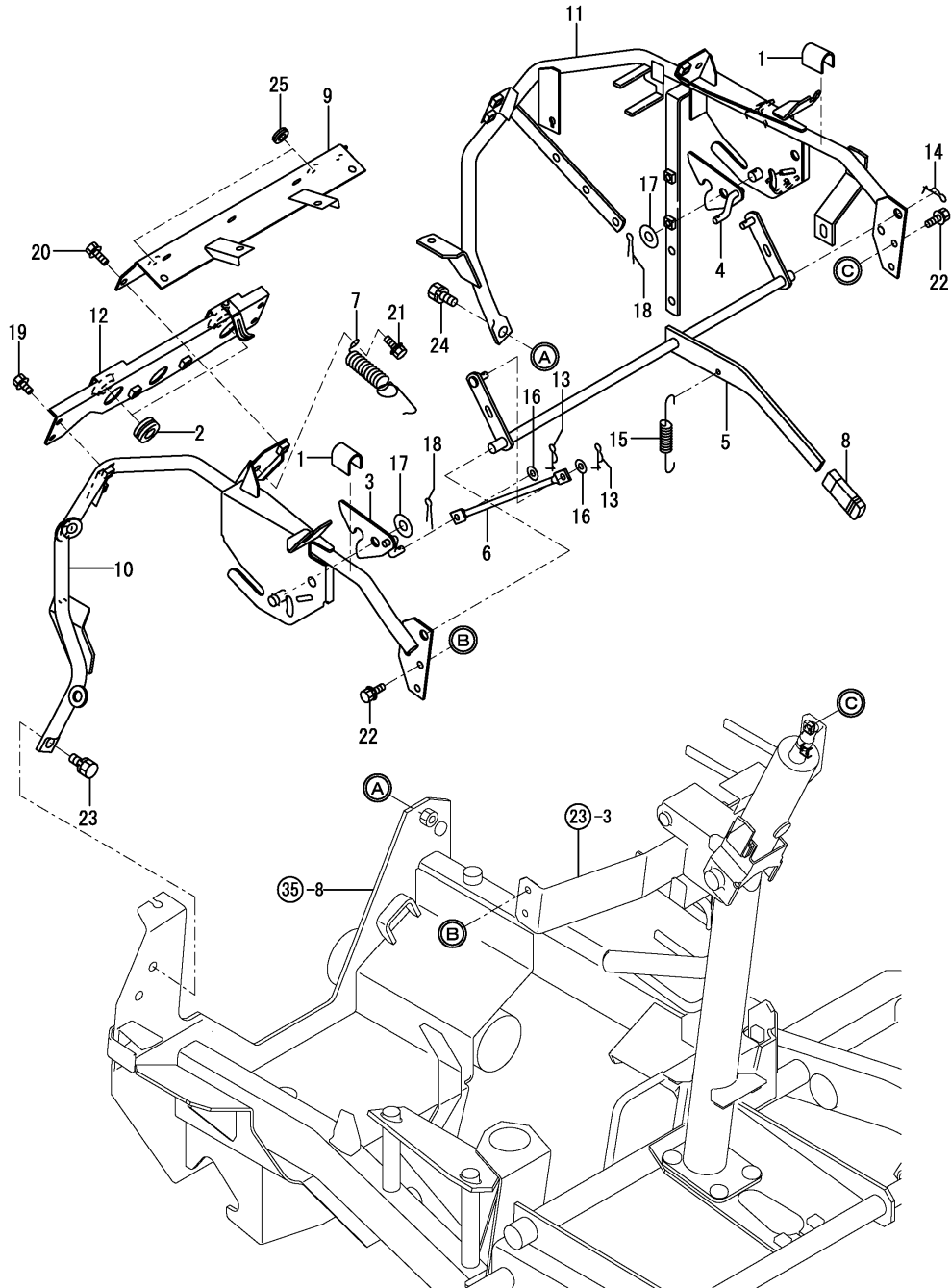
Fig.42. BONNET

(A)=RD18
(B)=
(C)= (D)=
(E)=
(F)=



REF.	LEV.	PARTS NO.	DESCRIPTION	Q'TY						I	R
				(A)	(B)	(C)	(D)	(E)	(F)		
1	1	1C6901-35010	BONNET,	1							
2	1	1C6900-35020	BONNET, REAR	1							
3	1	1C6900-35050	FOAMS,BONNET URETHAN	2							
4	1	1C6900-35200	GUIDE,BONNET UPPER	1							
5	1	1A7550-35250	BONNET GUIDE	1							
6	1	1C6900-35300	PIN L,LOCK	1							
7	1	1C6900-35310	PIN R,LOCK	1							
8	1	1C6650-37480	SCREW M6X16,TAPPING	4							
9	1	1C6650-37480	SCREW M6X16,TAPPING	3							
10	1	1C6650-37480	SCREW M6X16,TAPPING	3							
11	1	1A7550-41200	BONNET,LOWER (10)	1							
12	1	1A7550-41210	URETHAN,HOOD LOWER	1							
13	1	1A7550-41700	GUARD,SLIT (12)	1							
14	1	1A7550-43360	MAT,STEP FL	1							
15	1	198121-61440	PAD AS, 35X50X70	1							
16	1	172147-62290	SEAL	1							
17	1	198163-65260	PLATE,RUBBER E	1							
18	1	22157-060000	WASHER 6	2							
19	1	22157-080000	WASHER 8	2							
20	1	26013-060162	BOLT M 6X 16	2							
21	1	26013-080202	BOLT W/WASHER M8X20	2							
22	1	26018-060162	BOLT M6X16	4							

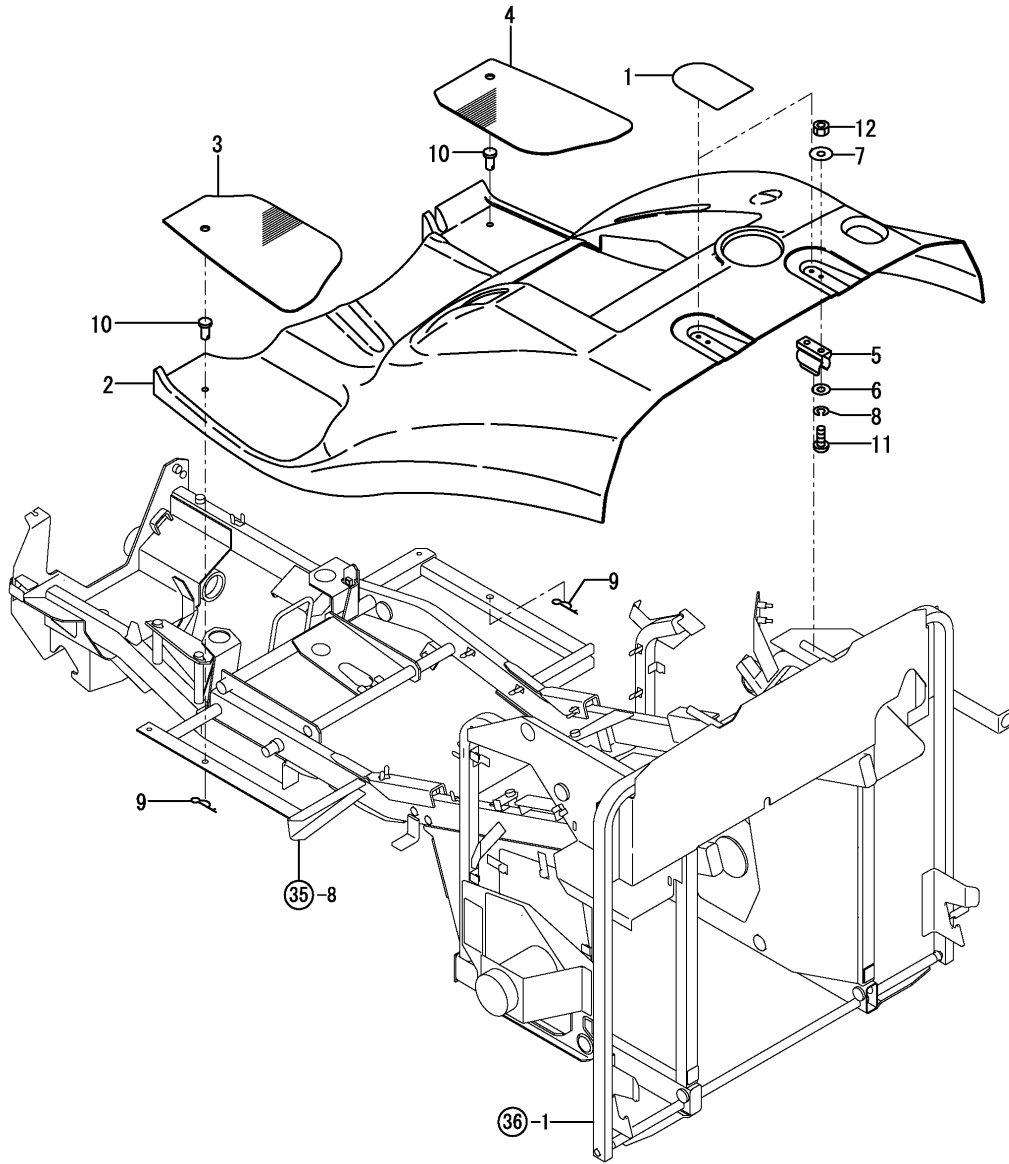
Fig.43. FRAME(BONNET)



(A)=RD18
(B)=
(C)= (D)=
(E)=
(F)=

REF.	LEV.	PARTS NO.	DESCRIPTION	Q'TY						I	R
				(A)	(B)	(C)	(D)	(E)	(F)		
1	1	1C6900-32640	SEAL,FRONT FRAME	2							
2	1	1C6560-35130	GROMMET 12	2							
3	1	1C6900-35350	CAM L,LOCK	1							
4	1	1C6900-35360	CAM R,LOCK	1							
5	1	1C6900-35400	LEVER,BONNET RELEASE	1							
6	1	1C6900-35460	ROD 190,COUPLING	2							
7	1	1C6900-35470	SPRING,BONNET	2							
8	1	1C6780-35910	GRIP 50X20	1							
9	1	1C6900-36151	STAY, VISOR FRONT	1							
10	1	1A7550-41500	FRAME CMP, FRONT L	1							
11	1	1A7550-41550	FRAME CMP, FRONT R	1							
12	1	1A7550-41750	PLATE	1							
13	1	1C6281-52310	PIN 6,COME-OFF SNAP	4							
14	1	1C6360-65700	SNAP PIN 10	1							
15	1	1C6710-83180	SPRING, TENSION	1							
16	1	22137-060000	WASHER 6, POLISHED	4							
17	1	22137-100000	WASHER 10,POLISHED	2							
18	1	22417-200160	COTTER PIN 2.0X16	2							
19	1	26018-060122	BOLT M 6X 12	4							
20	1	26018-060162	BOLT M6X16	2							
21	1	26018-060162	BOLT M6X16	2							
22	1	26018-060162	BOLT M6X16	4							
23	1	26018-080202	BOLT M 8X 20	1							
24	1	26018-080202	BOLT M 8X 20	1							
25	1	29311-092000	GROMMET 8.5X2.0	2							

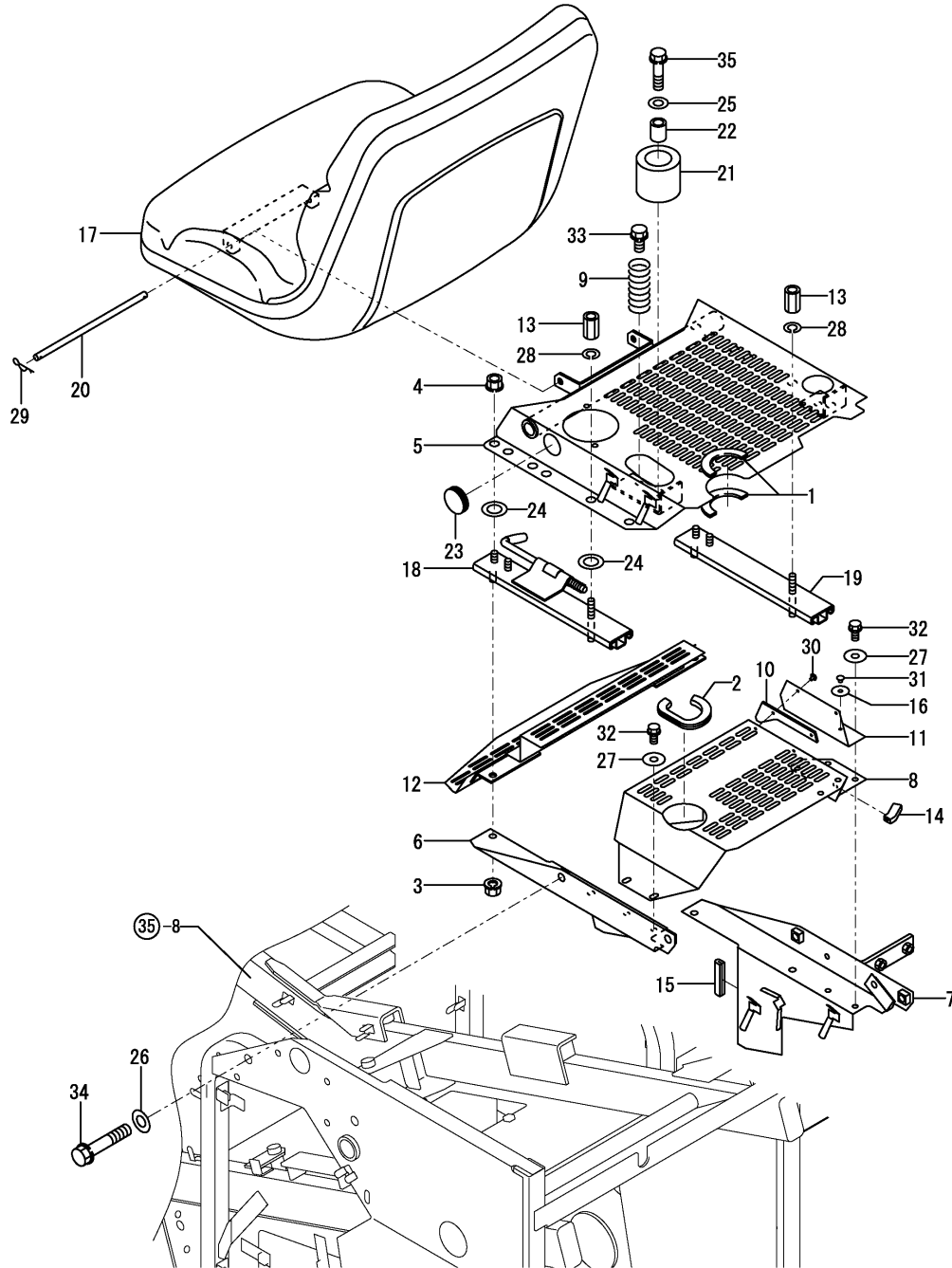
Fig.45. FENDER



(A)=RD18
(B)=
(C)= (D)=
(E)=
(F)=

REF.	LEV.	PARTS NO.	DESCRIPTION	Q'TY						I	R
				(A)	(B)	(C)	(D)	(E)	(F)		
1	1	1A7550-43110	SEAL,FENDER	2							
2	1	1A7550-43120	FENDER,STEP(M CMP	1							
3	1	1A7550-43300	MAT L,STEP	1							
4	1	1A7550-43350	MAT R,STEP	1							
5	1	1A6470-61230	SPRING ,HOOK	2							
6	1	22137-060000	WASHER 6, POLISHED	4							
7	1	22157-060000	WASHER 6	4							
8	1	22217-060000	SPRING WASHER 6	4							
9	1	22372-100000	SNAP PIN 10	2							
10	1	22487-100200	PIN 10X20	2							
11	1	26557-060162	SCREW M 6X 16	4							
12	1	26756-060002	LOCK NUT 6	4							

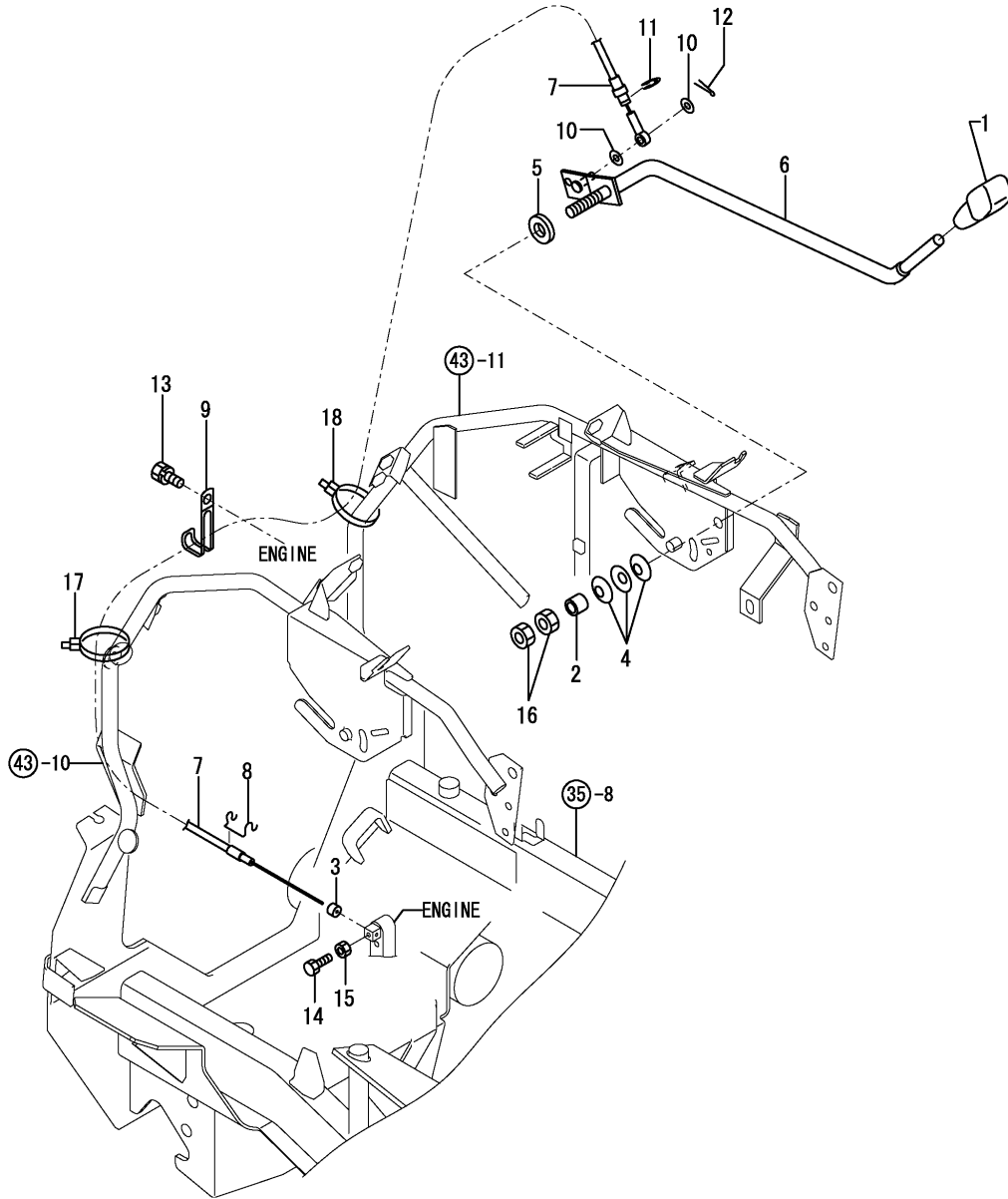
Fig.46. OPERATOR SEAT



(A)=RD18
(B)=
(C)= (D)=
(E)=
(F)=

REF.	LEV.	PARTS NO.	DESCRIPTION	Q'TY						I R
				(A)	(B)	(C)	(D)	(E)	(F)	
1	1	1C6900-01760	SEAL,BAFFLE PL INNER	2						
2	1	1A6260-10610	RUBBER, RADIATOR	1						
3	1	194990-22050	NUT W/WASHER 8	4						
4	1	194990-22050	NUT W/WASHER 8	4						
5	1	1A7550-44150	BRACKET,SEAT CMP	1						
6	1	1A7550-44210	SUPPOORT, RAIL L	1						
7	1	1A7550-44220	SUPPOORT, RAIL R	1						
8	1	1A7550-44270	PLATE CMP	1						
9	1	1A7550-44280	SPRING, SEAT	1						
10	1	1A7550-44330	PLATE,RUBBER	1						
11	1	1A7550-44370	RUBBER, PLATE	1						
12	1	1A7550-44400	COVER, RAIL (12)	1						
13	1	1E8252-48130	NUT M8X20	2						
14	1	1A7400-61300	TRIM, 35	1						
15	1	1A6380-61690	TRIM, 50	1						
16	1	1E8150-62700	WASHER 3.5X15X1	3						
17	1	198200-63110	SEAT ASSY,	1						
18	1	194420-63150	RAIL (L)	1						
19	1	194420-63160	RAIL (R)	1						
20	1	194151-63222	PIN, HINGE	1						
21	1	194151-63240	RUBBER, CUSHION	2						
22	1	194151-63250	COLLAR	2						
23	1	1E6910-83500	GROMMET 30 W/FILM	1						
24	1	22117-120000	WASHER 12	3						
25	1	22137-080000	WASHER 8, POLISHED	2						
26	1	22137-100000	WASHER 10,POLISHED	4						
27	1	22157-060000	WASHER 6	4						
28	1	22217-080000	SPRING WASHER 8	2						
29	1	22360-080000	PIN, 8	2						
30	1	22695-320641	RIVET B 3.2X6.4	2						
31	1	22697-320321	RIVET, 3.2 X 3.2	1						
32	1	26013-060162	BOLT M 6X 16	4						
33	1	26013-080162	BOLT W/WASHER M8X16	1						
34	1	26013-100502	BOLT M10X 50	4						
35	1	26016-080302	BOLT M 8X 30	2						

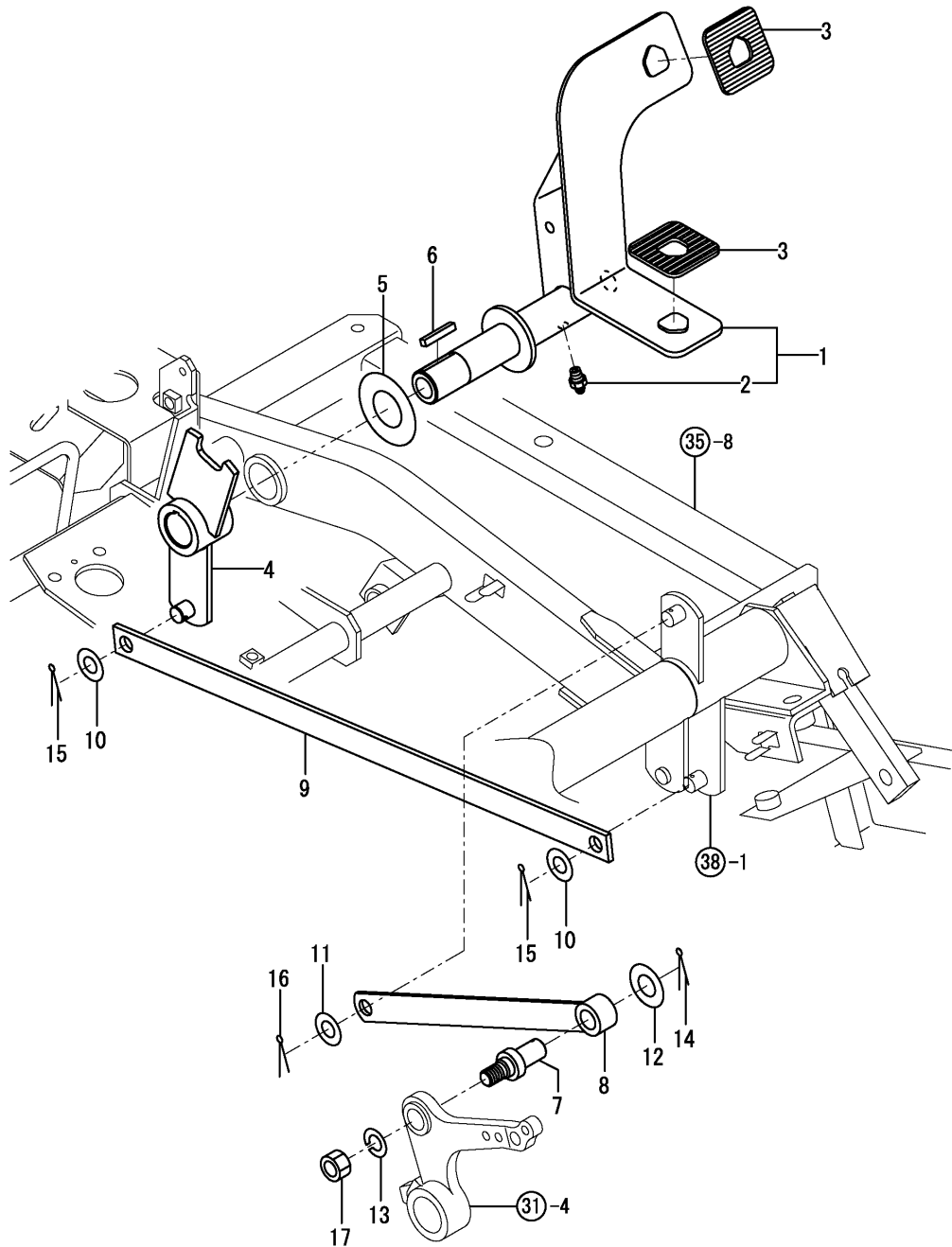
Fig.47. ENGINE CONTROL



(A)=RD18 (D)=
 (B)= (E)=
 (C)= (F)=

REF.	LEV.	PARTS NO.	DESCRIPTION	Q'TY						I	R
				(A)	(B)	(C)	(D)	(E)	(F)		
1	1	194940-01230	KNOB,ACCELERAT.LEVER	1							
2	1	1C6700-23480	COLLAR 10X15X13	1							
3	1	1C6900-48120	CAP 6	1							
4	1	1C6720-48200	WASHER 10, CONICAL	3							
5	1	1C6900-48251	SPACER 13X26X5	1							
6	1	1A7550-51010	LEVER ACCEL CMP	1							
7	1	1A7550-51100	WIRE, ACCELERATOR	1							
8	1	1A6150-51110	SPRING,ACCEL.WIRE LC	1							
9	1	194440-51620	CLAMP, WIRE HARNESS	1							
10	1	22117-060000	WASHER 6	2							
11	1	22272-000070	CIRCLIP E- 7	1							
12	1	22417-160200	COTTER PIN 1.6X20	1							
13	1	26013-080122	BOLT M 8X 12	1							
14	1	26117-040122	BOLT M 4X 12 PLATED	1							
15	1	26716-040002	NUT M 4	1							
16	1	26716-100002	NUT 10	2							
17	1	29622-140001	BAND 140	1							
18	1	29622-140001	BAND 140	1							

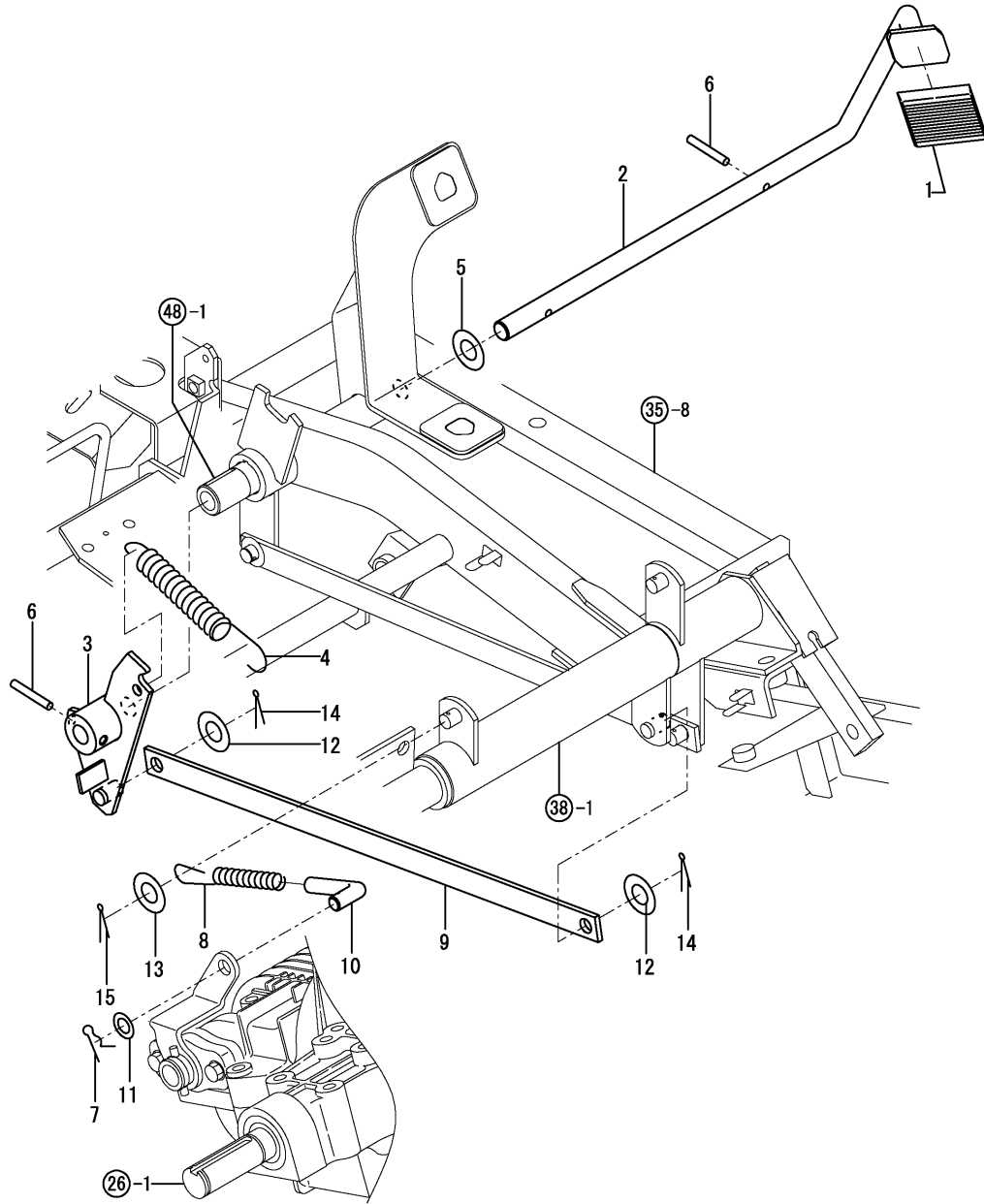
Fig.48. PEDAL(HST)



(A)=RD18
(B)=
(C)= (D)=
(E)=
(F)=

REF.	LEV.	PARTS NO.	DESCRIPTION	Q'TY						I	R
				(A)	(B)	(C)	(D)	(E)	(F)		
1	1	1A7550-53110	PEDAL,HST CMP (12)	1							
2	2	24761-010000	NIPPLE M6F, GREASE	1							
3	1	1A7550-53120	SHEET,PEDAL HST	2							
4	1	1A7550-53400	LINK,HST CMP	1							
5	1	22137-270000	WASHER 27	1							
6	1	22550-050250	KEY, 5 X 25	1							
7	1	1A7550-53560	PIN	1							
8	1	1A7550-53580	ROD B	1							
9	1	1A7550-54320	ROD A	1							
10	1	22137-120000	WASHER 12,POLISHED	2							
11	1	22137-120000	WASHER 12,POLISHED	1							
12	1	22137-160000	WASHER 16,POLISHED	1							
13	1	22217-120000	SPRING WASHER 12	1							
14	1	22417-250250	COTTER PIN 2.5X25	1							
15	1	22417-250250	COTTER PIN 2.5X25	2							
16	1	22417-250250	COTTER PIN 2.5X25	1							
17	1	26716-120002	NUT 12	1							

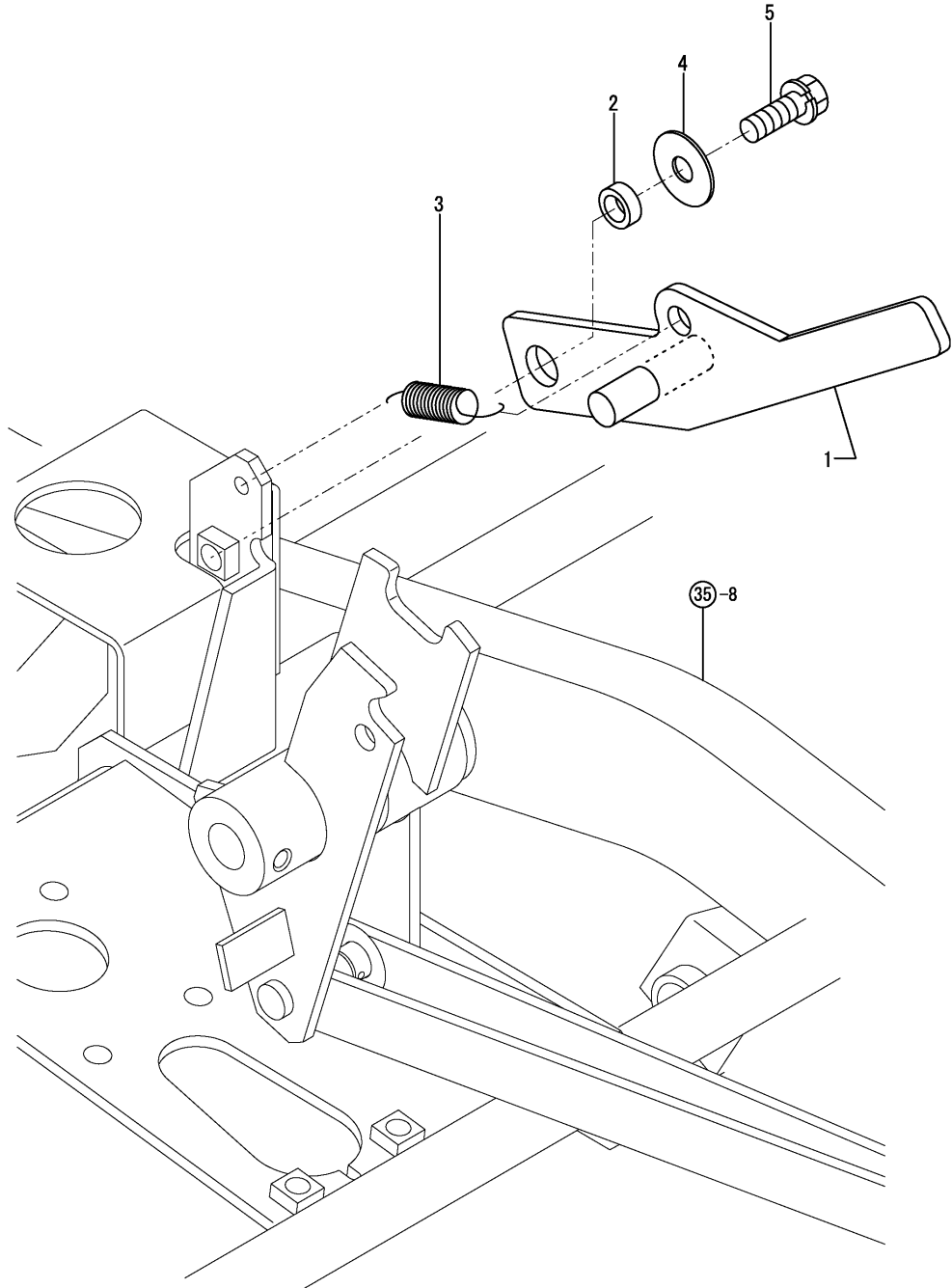
Fig.49. BRAKE PEDAL



(A)=RD18
(B)=
(C)= (D)=
(E)=
(F)=

REF.	LEV.	PARTS NO.	DESCRIPTION	Q'TY						I	R
				(A)	(B)	(C)	(D)	(E)	(F)		
1	1	1W3981-14050	RUBBER	1							
2	1	1A7550-54300	PEDAL BRAKE CMP (12)	1							
3	1	1A7550-54400	LINK BRAKE CMP	1							
4	1	1A7550-54510	RETURN SP	1							
5	1	22137-160000	WASHER 16,POLISHED	1							
6	1	22351-060040	SPRING PIN 6X40	2							
7	1	192180-26481	PIN, SNAP 12	1							
8	1	1A7550-54250	SPRING	1							
9	1	1A7550-54320	ROD A	1							
10	1	1A7550-54580	ROD B,BLAKE	1							
11	1	22117-120000	WASHER 12	1							
12	1	22137-120000	WASHER 12,POLISHED	2							
13	1	22137-120000	WASHER 12,POLISHED	1							
14	1	22417-250250	COTTER PIN 2.5X25	2							
15	1	22417-250250	COTTER PIN 2.5X25	1							

Fig.50. LEVER(PARKING)

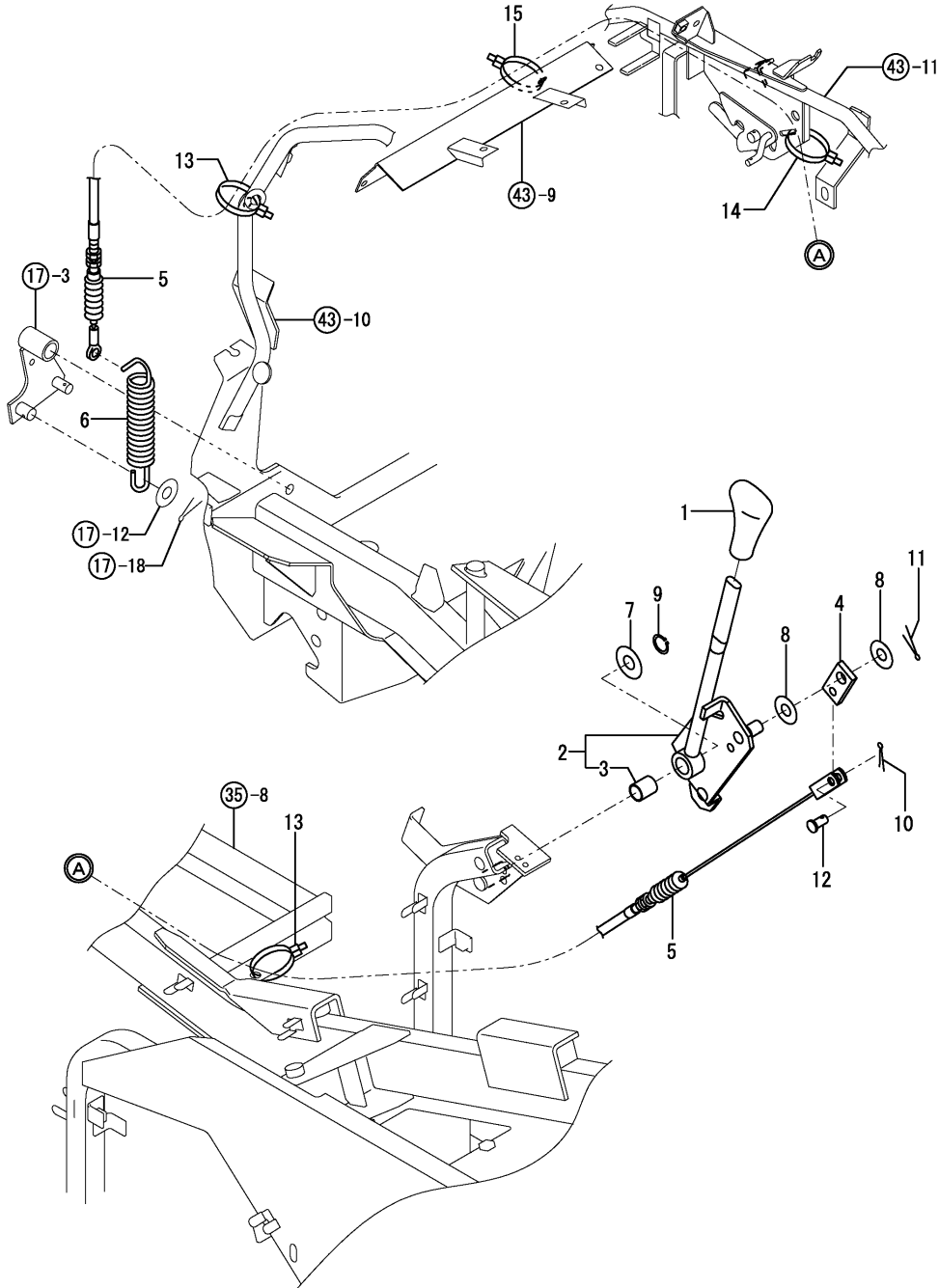


NPC-4678 50. LEVER(PARKING)

(A)=RD18 (D)=
 (B)= (E)=
 (C)= (F)=

REF.	LEV.	PARTS NO.	DESCRIPTION	Q'TY					
				(A)	(B)	(C)	(D)	(E)	(F)
1	1	1A7550-54360	LEVER	1					
2	1	1A7550-54370	COLLAR 9X14X5	1					
3	1	1C7080-56050	SPRING,	1					
4	1	22157-080000	WASHER 8	1					
5	1	26013-080252	BOLT M 8X 25	1					

Fig.51. LEVER(PTO)

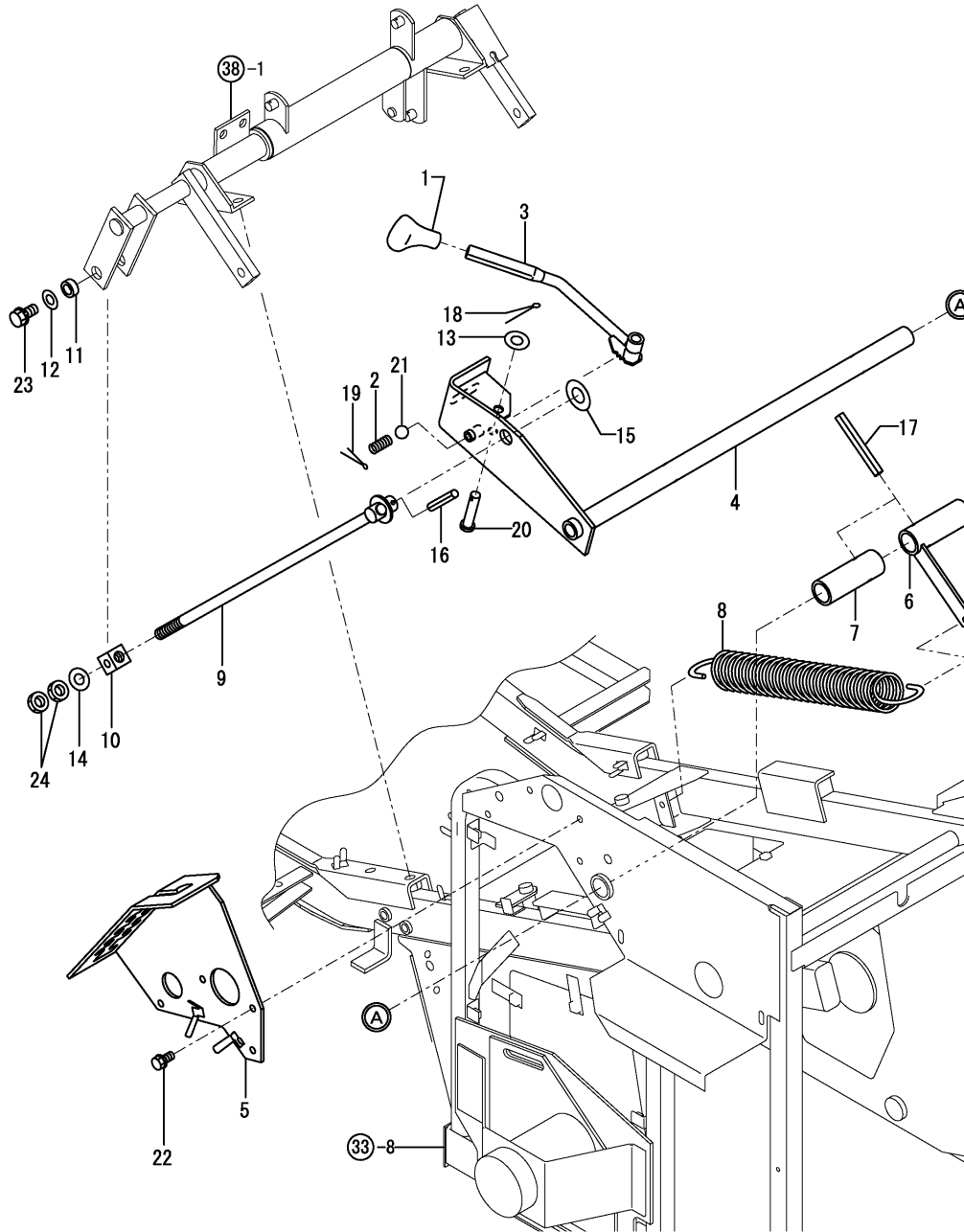


NPC-4678 51. LEVER(PTO)

(A)=RD18 (D)=
(B)= (E)=
(C)= (F)=

REF.	LEV.	PARTS NO.	DESCRIPTION	Q'TY						I	R
				(A)	(B)	(C)	(D)	(E)	(F)		
1	1	1C6560-47000	GRIP,CHANGE LEVER	1							
2	1	1A7550-57100	LEVER CMP,PTO	1							
3	2	24550-015200	BUSH 15X20	1							
4	1	1A7550-57150	PLATE,WIRE	1							
5	1	1A7550-57200	WIRE,CLUTCH PTO	1							
6	1	1A7550-57210	SPLING,PTO	1							
7	1	22117-140000	WASHER 14	1							
8	1	22137-120000	WASHER 12,POLISHED	2							
9	1	22242-000150	CIRCLIP 15	1							
10	1	22417-200250	COTTER PIN 2.0X25	1							
11	1	22417-200250	COTTER PIN 2.0X25	1							
12	1	22486-080160	PIN 8X 16	1							
13	1	29622-140001	BAND 140	2							
14	1	29622-140001	BAND 140	1							
15	1	29622-140001	BAND 140	1							

Fig.52. LIFT CONTROL

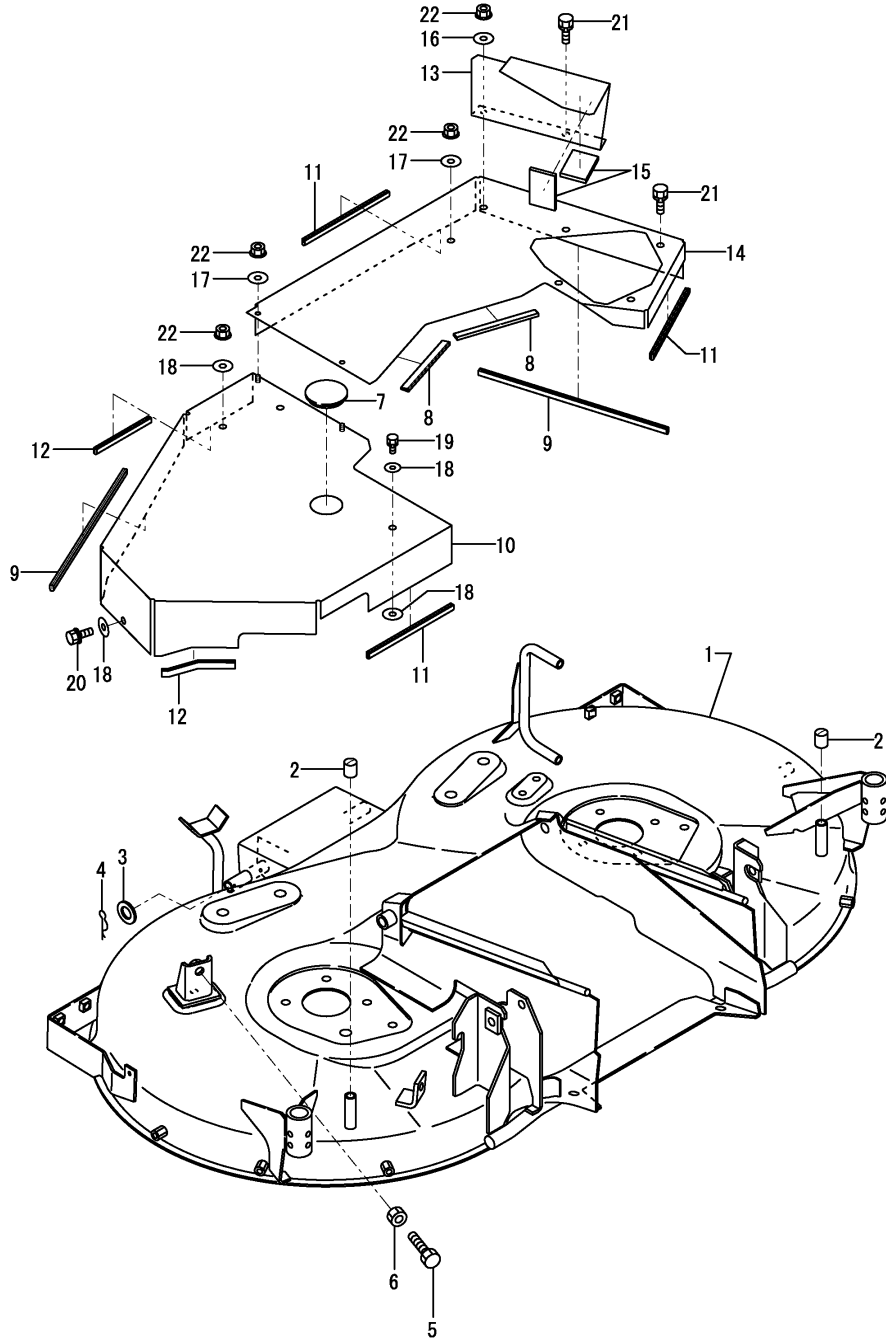


(A)=RD18
(B)=
(C)= (D)=
(E)=
(F)=

REF.	LEV.	PARTS NO.	DESCRIPTION	Q'TY						I R
				(A)	(B)	(C)	(D)	(E)	(F)	
1	1	1C6560-47000	GRIP,CHANGE LEVER	1						
2	1	1E6150-56040	SPRING	1						
3	1	1A7550-58010	LEVER,MOWER CMP	1						
4	1	1A7550-58050	BRACKET,LEVER CMP	1						
5	1	1A7550-58150	GUIDE, LEVER CMP(12)	1						
6	1	1A7550-58200	LINK, SPRING	1						
7	1	1A7550-58230	PIPE 34X4X96	1						
8	1	1A7550-58250	SPRING 47.1X233.5	1						
9	1	1A7550-58300	LINK A	1						
10	1	1A7550-58350	BLOCK 25X25X38	1						
11	1	1A7550-58360	COLLAR	2						
12	1	22137-100000	WASHER 10,POLISHED	2						
13	1	22137-120000	WASHER 12,POLISHED	1						
14	1	22137-140000	WASHER 14,POLISHED	1						
15	1	22137-200000	WASHER 20,POLISHED	1						
16	1	22351-050030	SPRING PIN 5X30	1						
17	1	22351-060045	SPRING PIN 6X45	2						
18	1	22417-200250	COTTER PIN 2.0X25	1						
19	1	22417-250250	COTTER PIN 2.5X25	1						
20	1	22487-120500	PIN 12X 50	1						
21	1	24190-100001	BALL 5/16, STEEL	1						
22	1	26013-080202	BOLT W/WASHER M8X20	4						
23	1	26013-100202	BOLT W/WASHER M10X20	2						
24	1	26756-140002	LOCK NUT M14 PLATED	2						

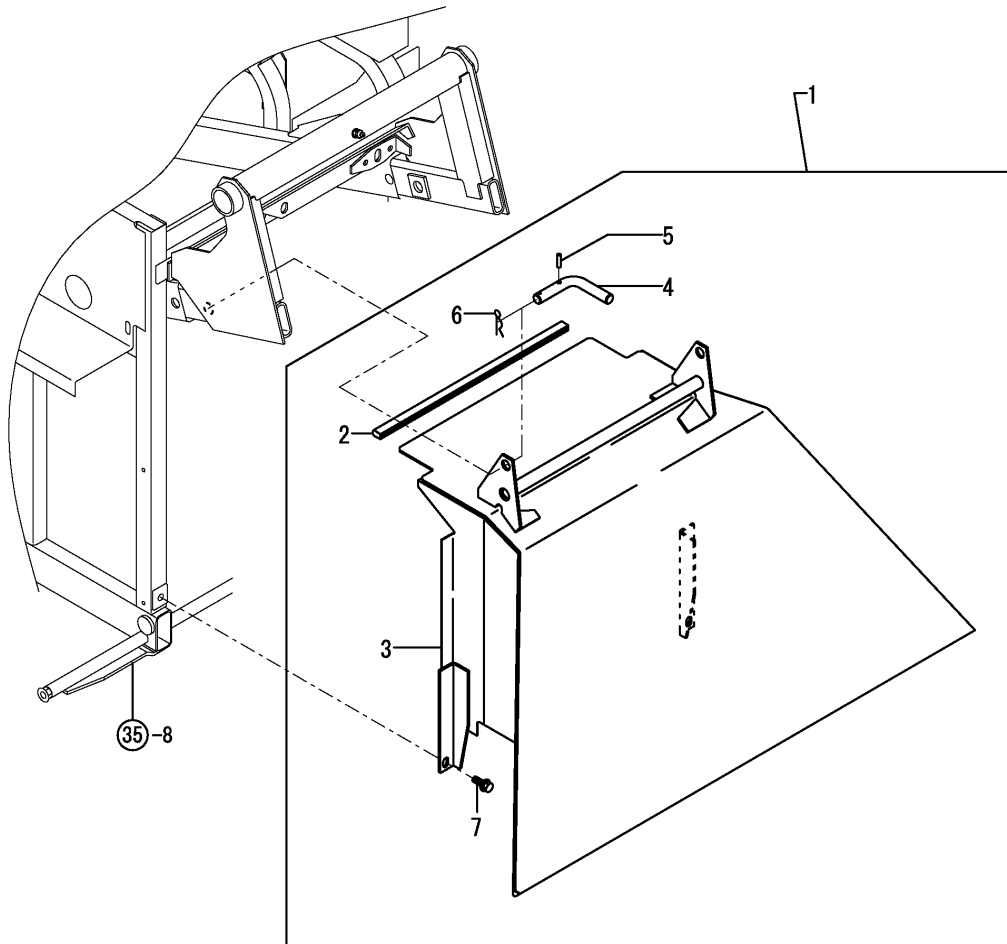
Fig.54. MOWER DECK & COVER

(A)=RD18
(B)=
(C)= (D)=
(E)=
(F)=



REF.	LEV.	PARTS NO.	DESCRIPTION	Q'TY						I	R
				(A)	(B)	(C)	(D)	(E)	(F)		
1	1	1A7550-61020	MOWER DECK (M CMP	1							
2	1	1S0070-63100	CAP,P.T.O.RUBBER	2							
3	1	22137-180000	WASHER 18	2							
4	1	22360-180000	SNAP PIN 18	2							
5	1	26116-120704	BOLT 12X70	1							
6	1	26716-120002	NUT 12	1							
7	1	195160-13870	CAP, ROTARY CASE	1							
8	1	1E6680-26631	MOLDINGS B,CHN.COVER	2							
9	1	198535-61230	TRIM, HOOD UPPER 350	2							
10	1	1A7550-61620	COVER L,MOWER(M CMP	1							
11	1	1A6380-61650	TRIM, 170	3							
12	1	1A6380-61660	TRIM, 110	2							
13	1	1A7550-61660	COVER,JOINT(M CMP	1							
14	1	1A7550-61700	COVER R,MOWER	1							
15	1	194190-61761	RUBBER, CUSHION	2							
16	1	22157-060000	WASHER 6	1							
17	1	22157-060000	WASHER 6	3							
18	1	22157-060000	WASHER 6	5							
19	1	26013-060142	BOLT M 6X 14	1							
20	1	26018-060162	BOLT M6X16	1							
21	1	26018-080202	BOLT M 8X 20	4							
22	1	26052-060002	NUT M 6	6							

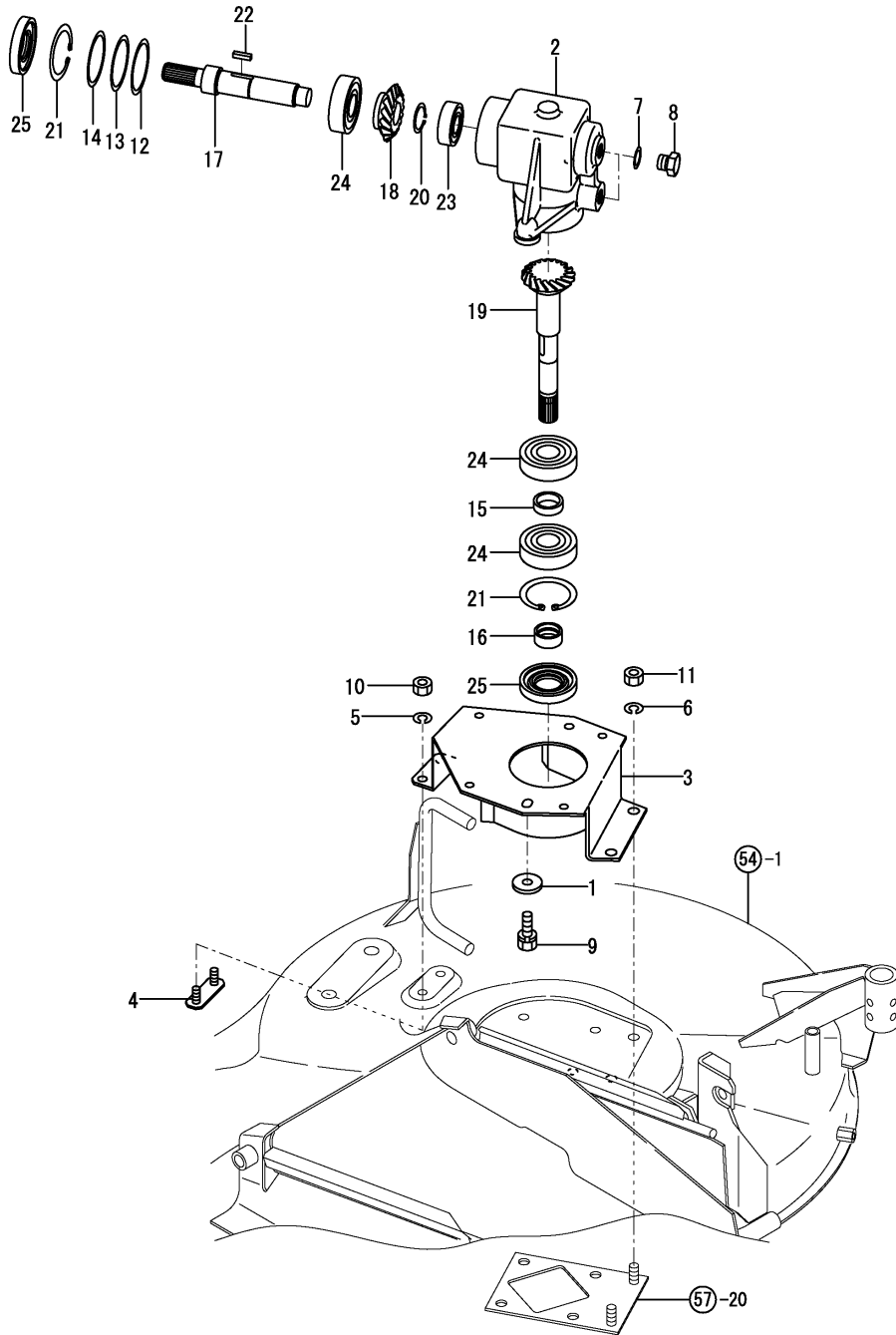
Fig.55. ABANDON COVER



(A)=RD18 (D)=
 (B)= (E)=
 (C)= (F)=

REF.	LEV.	PARTS NO.	DESCRIPTION	Q'TY						I	R
				(A)	(B)	(C)	(D)	(E)	(F)		
1	1	1A7550-61800	COVER KIT	1							
2	2	1A7000-61480	TRIM 360	1							
3	2	1A7550-61900	COVER CMP (12)	1							
4	2	1A7550-61990	PIN 14	2							
5	2	22351-050020	SPRING PIN 5X20	2							
6	2	22372-140000	SNAP PIN 14	2							
7	2	26014-080202	BOLT M 8X 20	2							

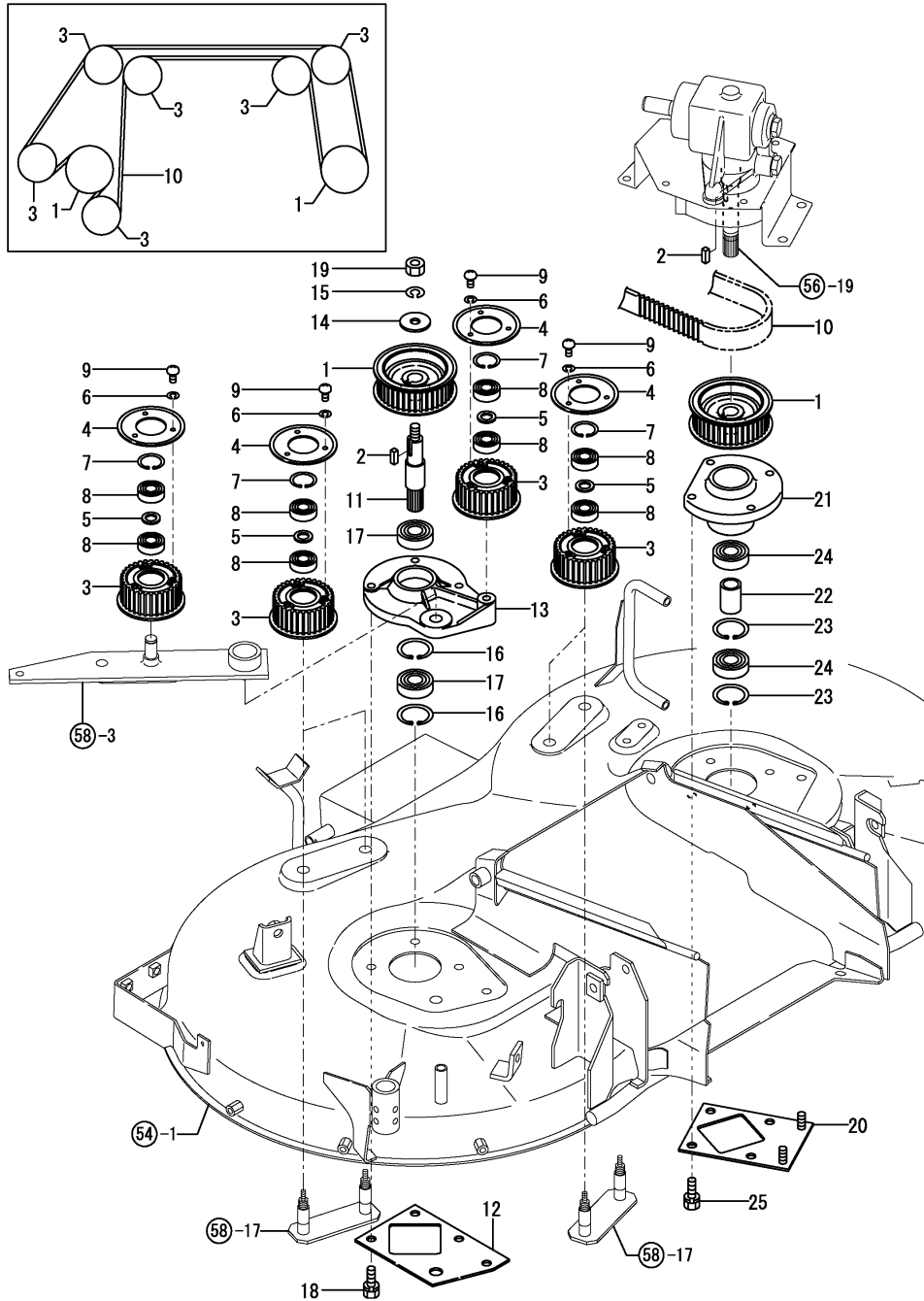
Fig.56. MOWER INPUT



(A)=RD18
(B)=
(C)= (D)=
(E)=
(F)=

REF.	LEV.	PARTS NO.	DESCRIPTION	Q'TY						I	R
				(A)	(B)	(C)	(D)	(E)	(F)		
1	1	1C6082-22810	WASHER 10.5X32X4.5	2							
2	1	1A7550-62010	CASE,BEVEL GEAR	1							
3	1	1A7550-62050	STAY CMP	1							
4	1	1A7550-62080	WASHER 60X24X2.3	1							
5	1	22217-080000	SPRING WASHER 8	2							
6	1	22217-100000	SPRING WASHER 10	2							
7	1	23414-160000	GASKET 16, ROUND	2							
8	1	23887-160002	PLUG 16,HEX.	2							
9	1	26013-100252	BOLT W/WASHER M10X25	2							
10	1	26716-080002	NUT M 8	2							
11	1	26716-100002	NUT 10	2							
12	1	194301-11890	SHIM T=0.1	1							
13	1	194301-11900	SHIM T=0.3	1							
14	1	194301-11910	SHIM T=0.5	1							
15	1	1E6020-54070	COLLAR,31.8X25.4X9	1							
16	1	1E6190-54080	SLEEVE SI25X30X13	1							
17	1	1A7550-62310	SHAFT A	1							
18	1	1A7550-62320	BEVEL GEAR 17T	1							
19	1	1A7550-62330	BEVEL GEAR 18T	1							
20	1	22242-000250	CIRCLIP 25S	1							
21	1	22252-000621	RING, 62	2							
22	1	22551-050200	KEY 5X20	1							
23	1	24101-062044	BALL BEARING #6204	1							
24	1	24101-063054	BEARING #6305	3							
25	1	24421-306210	SEAL TC30 62 10, OIL	2							

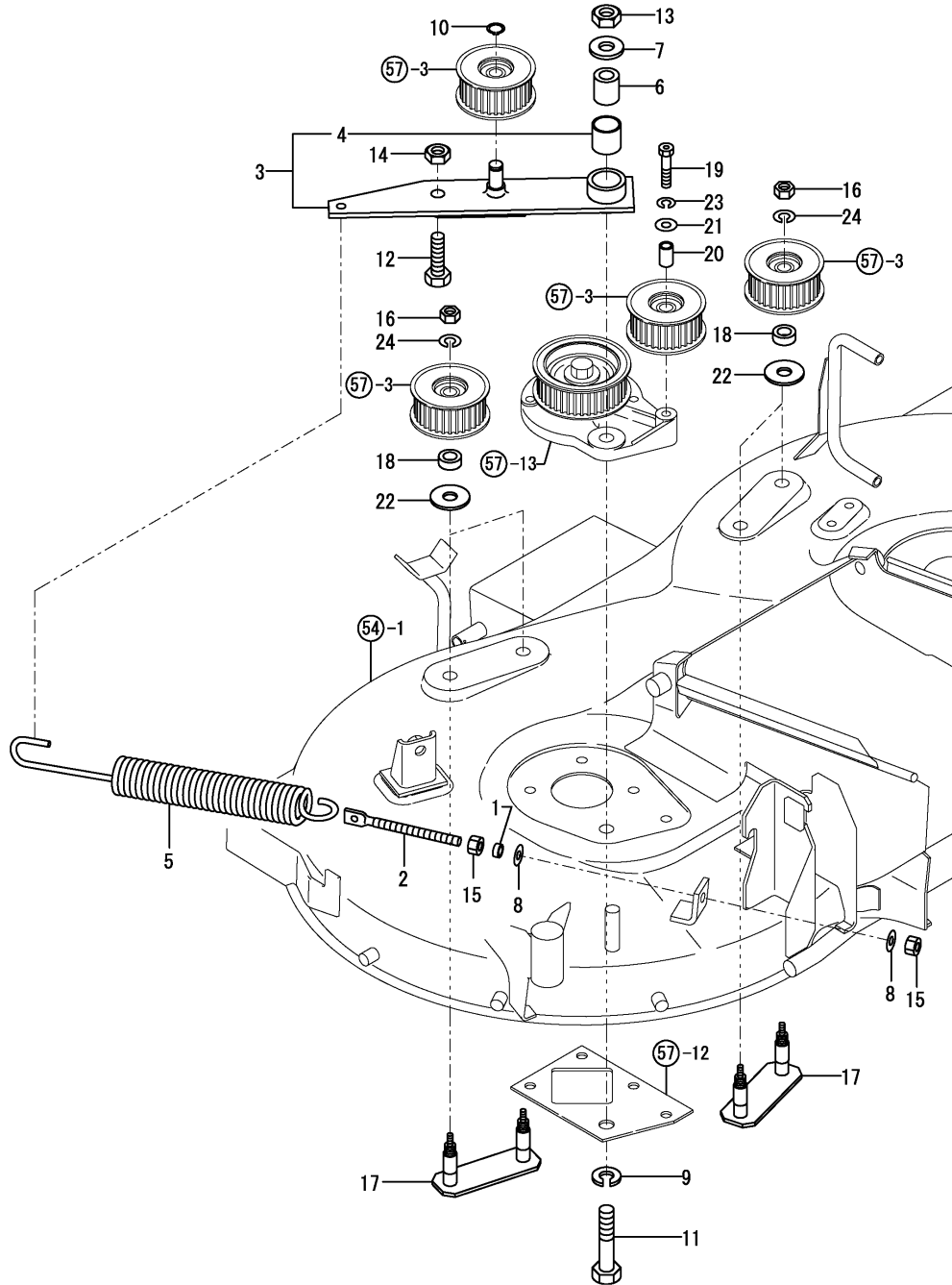
Fig.57. BLADE DRIVE



(A)=RD18
(B)=
(C)= (D)=
(E)=
(F)=

REF.	LEV.	PARTS NO.	DESCRIPTION	Q'TY						I	R
				(A)	(B)	(C)	(D)	(E)	(F)		
1	1	1A7550-63010	PULLEY 40T CMP	2							
2	1	22550-070200	KEY 7X20	2							
3	1	1A7550-63110	PULLEY 32T CMP	6							
4	1	1A7550-63180	FLANGE 89X40	6							
5	1	22117-140000	WASHER 14	6							
6	1	22217-050000	SPRING WASHER 5	18							
7	1	22252-000350	CIRCLIP 35	6							
8	1	24104-062024	BALL BEARING	12							
9	1	26557-050122	SCREW M 5X 12	18							
10	1	1A7550-63300	BELT 300DS8M2800	1							
11	1	1A7550-63400	SHAFT, BLADE L	1							
12	1	1A7550-63410	PLATE L, HOLDER	1							
13	1	1A7550-63650	HOLDER, PULLEY LEFT	1							
14	1	22157-120000	WASHER 12	1							
15	1	22217-120000	SPRING WASHER 12	1							
16	1	22252-000471	CIRCLIP 47	2							
17	1	24104-062044	BALL BEARING	2							
18	1	26013-100252	BOLT W/WASHER M10X25	4							
19	1	26716-120002	NUT 12	1							
20	1	1A7550-63510	PLATE R, HOLDER	1							
21	1	1A7550-63600	HOLDER, PULLEY SIDE	1							
22	1	1A6150-71370	COLLAR 20X27X38.7	1							
23	1	22252-000471	CIRCLIP 47	2							
24	1	24104-062044	BALL BEARING	2							
25	1	26013-100252	BOLT W/WASHER M10X25	4							

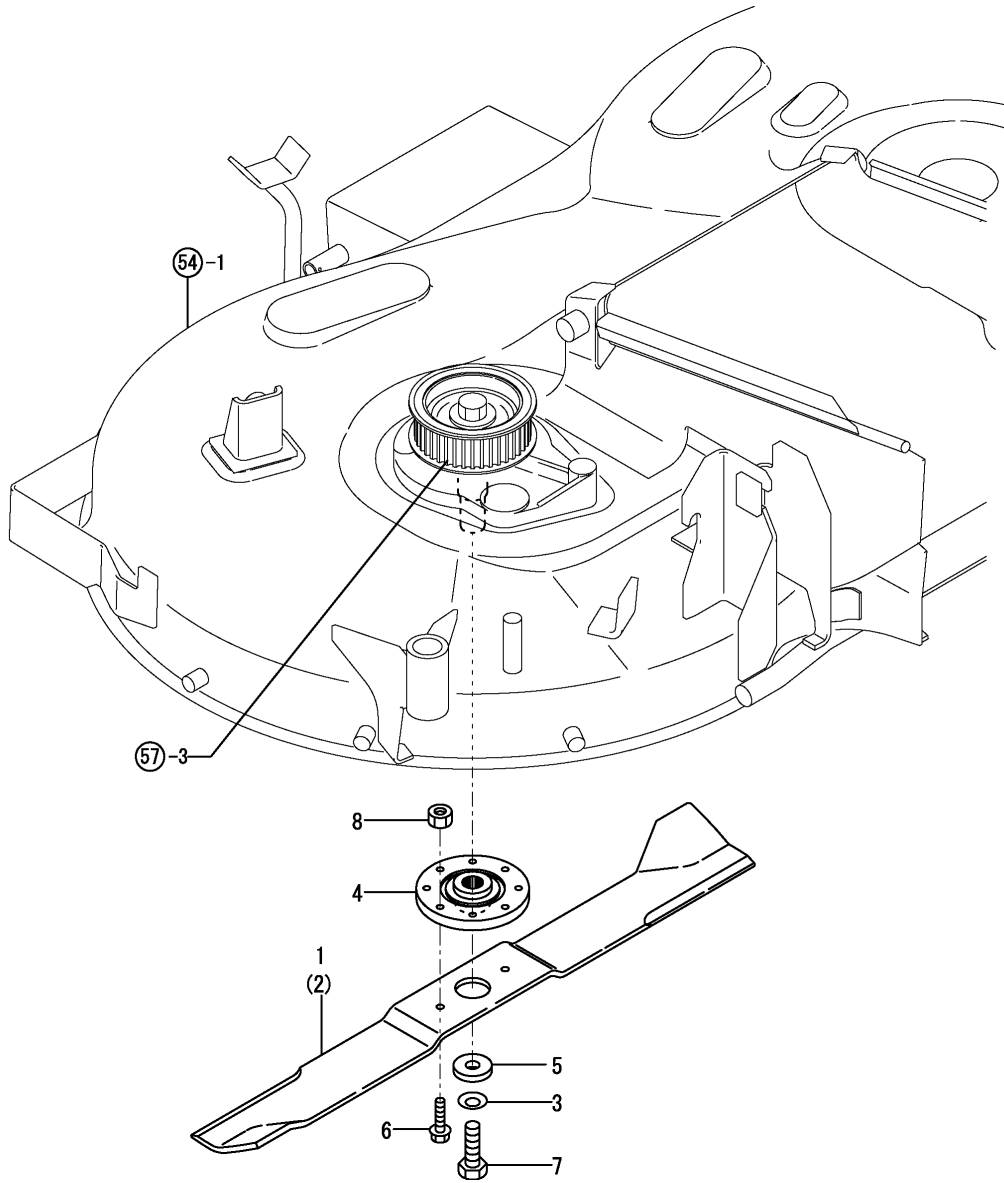
Fig.58. TENSION ARM



(A)=RD18
(B)=
(C)= (D)=
(E)=
(F)=

REF.	LEV.	PARTS NO.	DESCRIPTION	Q'TY						I R
				(A)	(B)	(C)	(D)	(E)	(F)	
1	1	1E8540-47950	COLLAR 10.4X15X6	1						
2	1	1E6140-51660	ROD,TENSION SCREW	1						
3	1	1A7550-63700	ARM CMP,TENSION	1						
4	2	24550-028300	BEARING, 28 X 30	1						
5	1	1A7550-63750	SPRING	1						
6	1	1A7550-63760	COLLAR 28X16X31.1	1						
7	1	1E8940-73240	WASHER, 16X38X4.5	1						
8	1	22137-100000	WASHER 10,POLISHED	2						
9	1	22217-160000	SPRING WASHER 16	1						
10	1	22242-000150	CIRCLIP 15	1						
11	1	26116-160802	BOLT M16X 80 PLATED	1						
12	1	26117-140504	BOLT, 14 X 50	1						
13	1	26716-160002	NUT M16	1						
14	1	26717-140002	NUT, 14	1						
15	1	26756-100002	LOCK NUT M10 PLATED	2						
16	1	1A7550-63770	NUT,M12	4						
17	1	1A7550-63810	SHAFT CMP,PULLEY	2						
18	1	1A7550-63840	COLLAR	4						
19	1	1A7550-63850	BOLT,M10X45	1						
20	1	1A7550-63870	COLLAR 15X10.9X24	1						
21	1	22137-100000	WASHER 10,POLISHED	1						
22	1	22157-140000	WASHER 14	4						
23	1	22217-100000	SPRING WASHER 10	1						
24	1	22217-120000	SPRING WASHER 12	4						

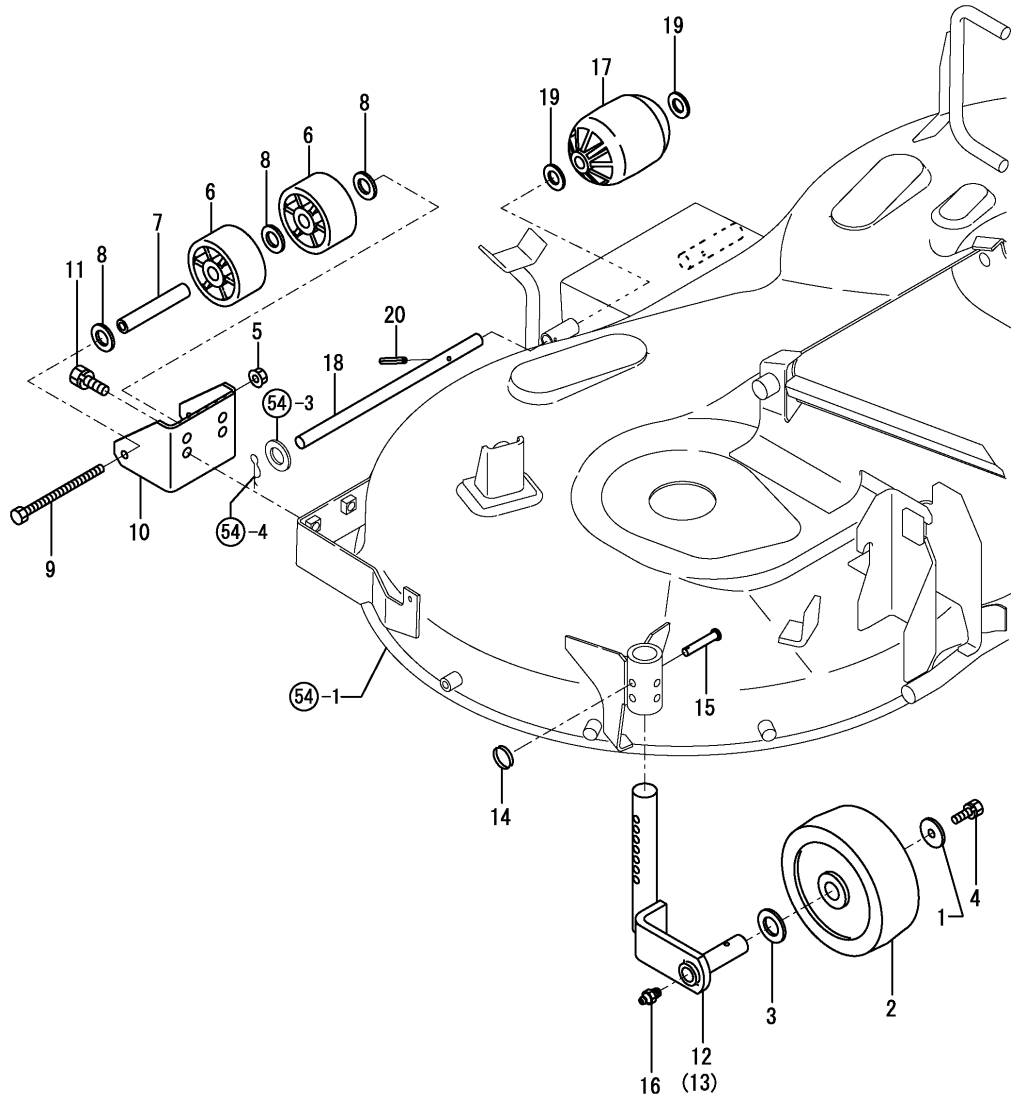
Fig.59. BLADE



(A)=RD18 (D)=
 (B)= (E)=
 (C)= (F)=

REF.	LEV.	PARTS NO.	DESCRIPTION	Q'TY						
				(A)	(B)	(C)	(D)	(E)	(F)	
1	1	1A7550-64010	BLADE L	1						
2	1	1A7550-64020	BLADE R	1						
3	1	194151-47760	WASHER 12	2						
4	1	1A7550-64210	BRACKET, BLADE	2						
5	1	1E6910-73220	WASHER 12X33X6	2						
6	1	26106-060254	BOLT 6X25	4						
7	1	26296-120402	BOLT M12X 40	2						
8	1	26756-060002	LOCK NUT 6	4						

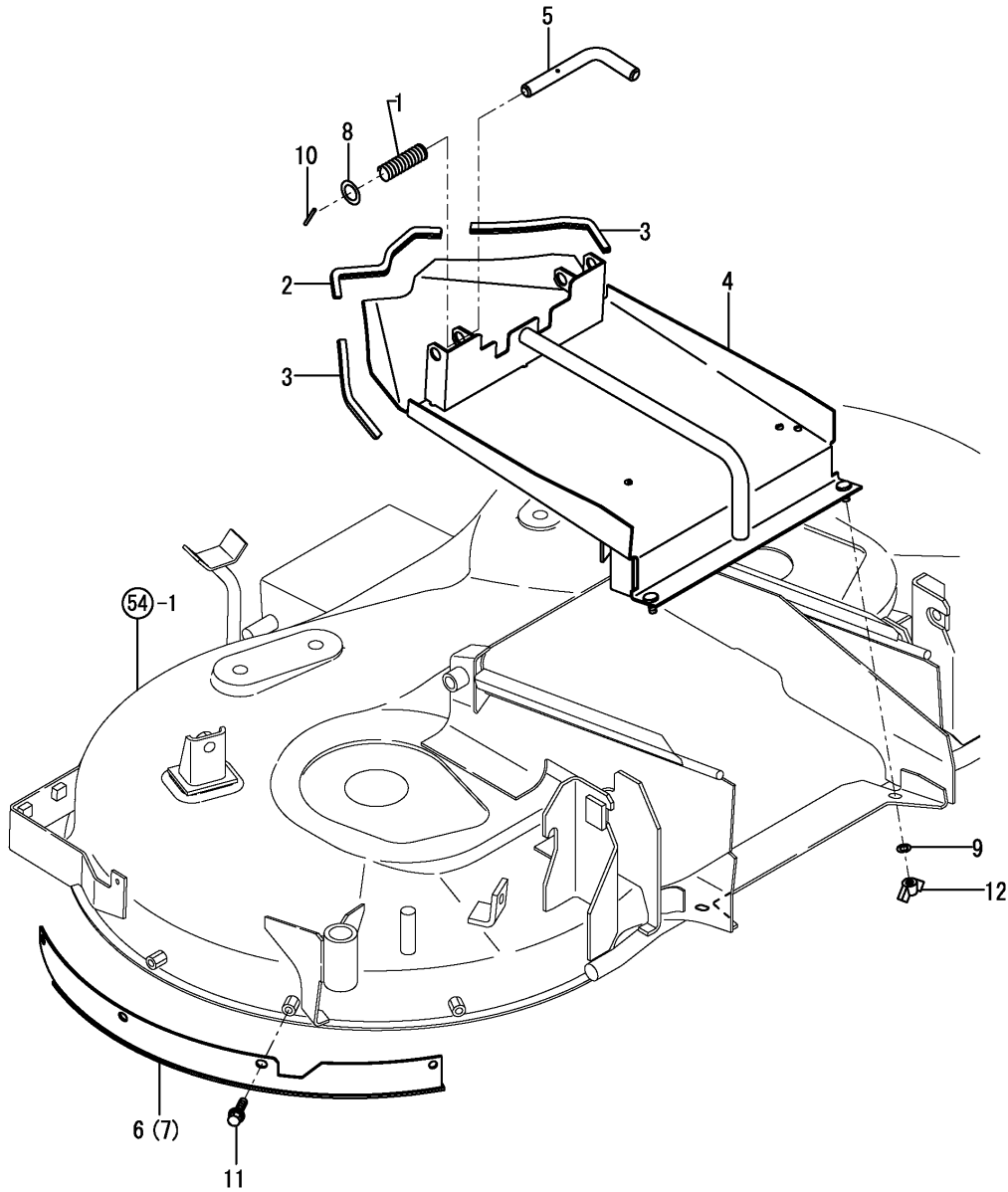
Fig.60. GAUGE WHEEL



(A)=RD18
(B)=
(C)= (D)=
(E)=
(F)=

REF.	LEV.	PARTS NO.	DESCRIPTION	Q'TY						I	R
				(A)	(B)	(C)	(D)	(E)	(F)		
1	1	1C6140-47210	WASHER 9X32X3.2	2							
2	1	1A6150-66011	WHEEL ASSY.,GAUGE	2							
3	1	22137-200000	WASHER 20,POLISHED	2							
4	1	26013-080202	BOLT W/WASHER M8X20	2							
5	1	194990-22050	NUT W/WASHER 8	2							
6	1	1B1498-25050	ROLLER, 75	4							
7	1	1A7550-66150	COLLAR 15X3.2X91	2							
8	1	22137-160000	WASHER 16,POLISHED	6							
9	1	26116-081152	BOLT M 8X115 PLATED	2							
10	1	1A7550-66300	BRACKET(ROLLER	2							
11	1	26013-100252	BOLT W/WASHER M10X25	4							
12	1	1A7550-66410	ARM(CASTOR L CMP	1							
13	1	1A7550-66450	ARM(CASTOR R CMP	1							
14	1	1E4010-76220	LOCK SPRING	2							
15	1	22487-080400	PIN 8X 40	2							
16	1	24761-010000	NIPPLE M6F, GREASE	2							
17	1	1W6521-10080	ROLLER	1							
18	1	1A7550-66600	SHAFT,ROLLER	1							
19	1	22137-140000	WASHER 14,POLISHED	2							
20	1	22351-040025	PIN 4X25,SPRING	1							

Fig.61. MULTI KIT



(A)=RD18 (D)=
 (B)= (E)=
 (C)= (F)=

REF.	LEV.	PARTS NO.	DESCRIPTION	Q'TY						I	R
				(A)	(B)	(C)	(D)	(E)	(F)		
1	1	1S6021-01550	SPRING	2							
2	1	172183-61350	RUBBER,EDGE	1							
3	1	1A6211-61820	RUBBER, 200	2							
4	1	1A7550-67010	COVER,MULTI	1							
5	1	1A7550-67100	PIN 14	2							
6	1	1A7550-67150	GUIDE PLATE L CMP	1							
7	1	1A7550-67180	GUIDE PLATE R CMP	1							
8	1	22137-140000	WASHER 14,POLISHED	2							
9	1	22217-080000	SPRING WASHER 8	2							
10	1	22351-030020	SPRING PIN 3X20	2							
11	1	26014-080202	BOLT M 8X 20	8							
12	1	26635-080002	WING NUT M 8	2							

Fig.62. GC BAG

(A)=RD18
(B)=
(C)= (D)=
(E)=
(F)=

REF.	LEV.	PARTS NO.	DESCRIPTION	Q'TY						I R
				(A)	(B)	(C)	(D)	(E)	(F)	
1	1	194990-22140	NUT W/WASHER 8	13						
2	1	1A7550-75010	BAG,GC CMP	1						
3	1	1A7550-75600	PLATE 3.2X25	2						
4	1	1A7550-75630	PLATE 3.2X25X585	1						
5	1	22157-080000	WASHER 8	8						
6	1	26116-080202	BOLT M 8X 20 PLATED	8						
7	1	1A6310-65570	RUBBER SEAT	3						
8	1	1A7550-75110	SEAL,COVER GC	2						
9	1	1A7550-75120	COVER(M CMP	1						
10	1	1A7550-75200	UPPER COVER CMP	1						
11	1	1A7550-75400	SPRING 0.6X55	3						
12	1	22157-060000	WASHER 6	2						
13	1	22157-100000	WASHER 10	4						
14	1	22217-060000	SPRING WASHER 6	6						
15	1	26557-060162	SCREW M 6X 16	4						
16	1	26657-060002	CAP NUT M 6	2						
17	1	26716-100002	NUT 10	4						
18	1	1C6950-81200	BOLT M6X16,OVAL HEAD	2						

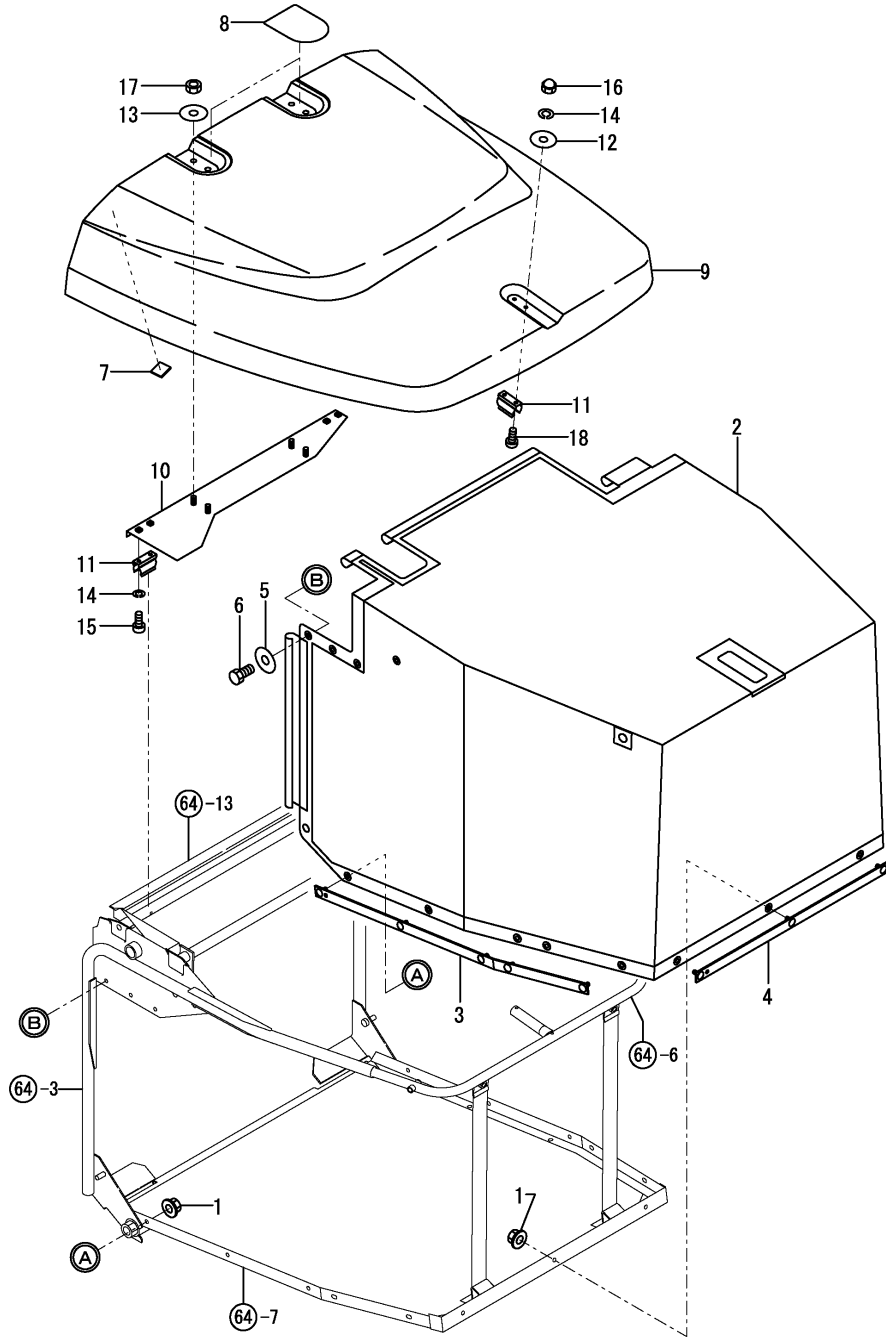
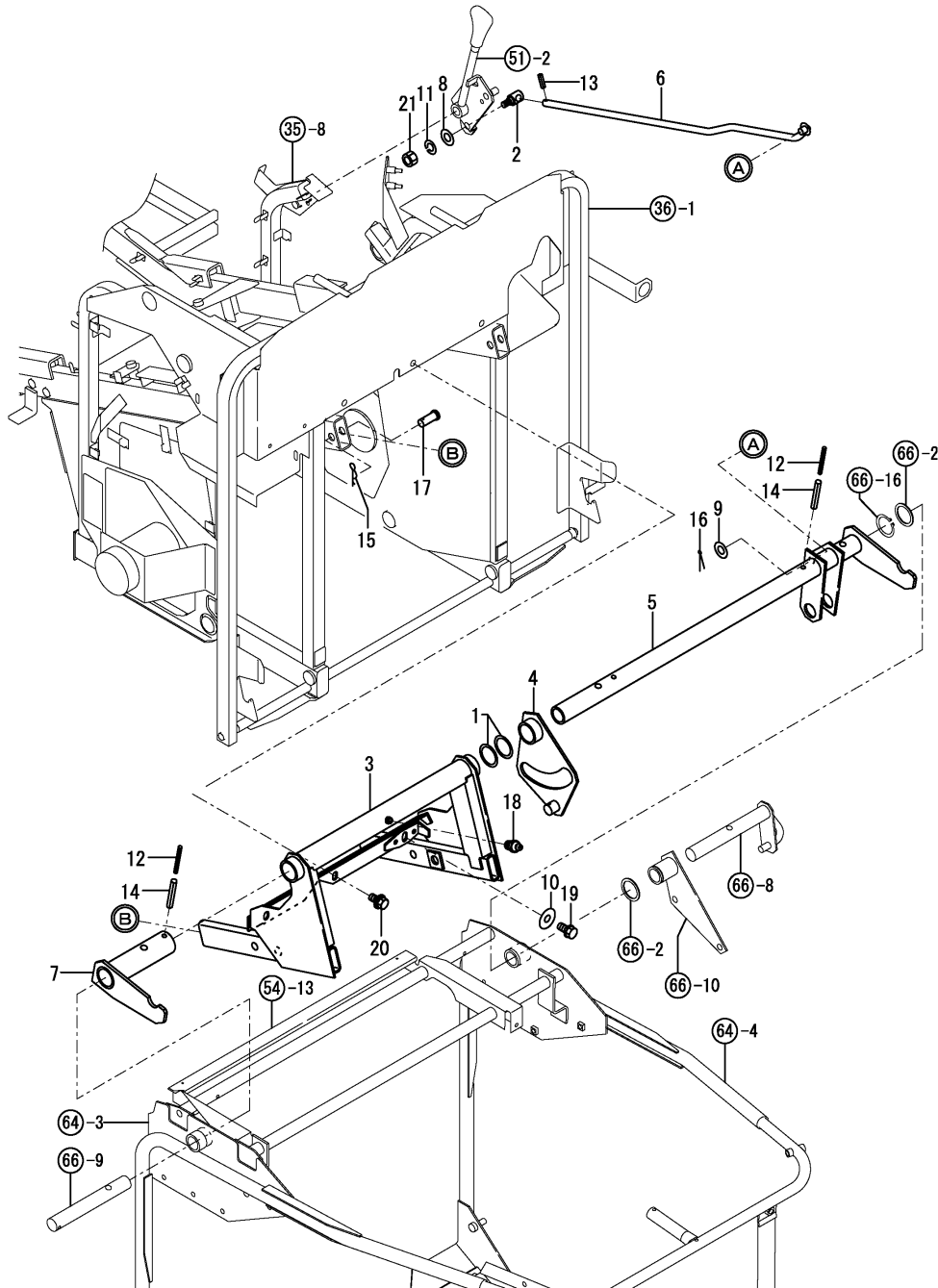


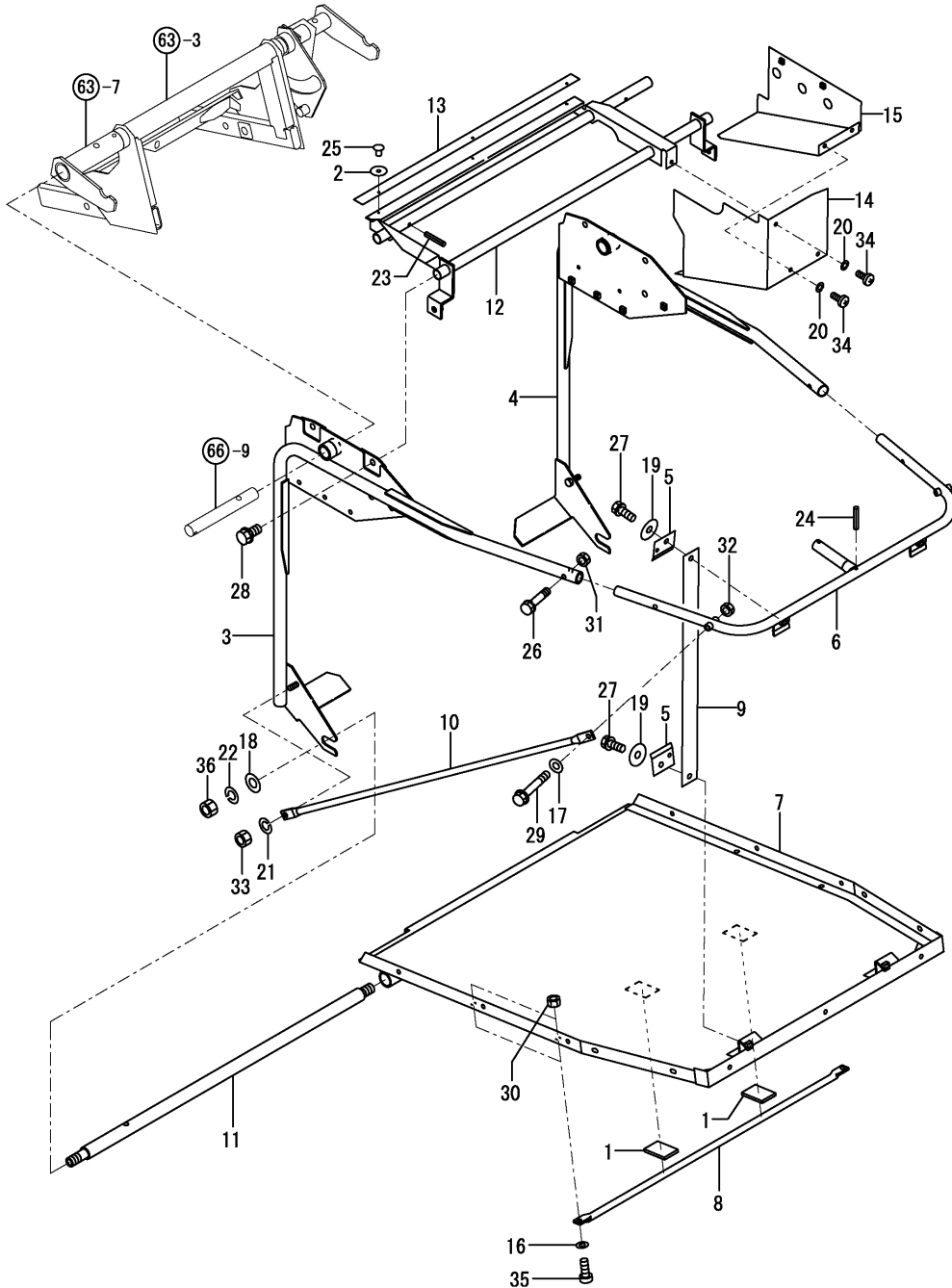
Fig.63. GC MOUNTING FRAME

(A)=RD18
(B)=
(C)= (D)=
(E)=
(F)=



REF.	LEV.	PARTS NO.	DESCRIPTION	Q'TY						I	R
				(A)	(B)	(C)	(D)	(E)	(F)		
1	1	1E4960-43630	WASHER 45*35*2	2							
2	1	1A7550-76000	BLOCK 19X19X42	1							
3	1	1A7550-76010	GC ASSY	1							
4	1	1A7550-76100	DRIVE ARM CMP	1							
5	1	1A7550-76130	SHAFT CMP	1							
6	1	1A7550-76150	LINK,GC-PTO	1							
7	1	1A7550-76170	ARM L	1							
8	1	22137-100000	WASHER 10,POLISHED	1							
9	1	22137-120000	WASHER 12,POLISHED	1							
10	1	22157-100000	WASHER 10	1							
11	1	22217-100000	SPRING WASHER 10	1							
12	1	22351-050050	SPRING PIN 5X50	2							
13	1	22351-060020	SPRING PIN 6X20	1							
14	1	22351-080050	SPRING PIN 8X50	2							
15	1	22372-140000	SNAP PIN 14	2							
16	1	22417-200200	COTTER PIN 2.0X20	1							
17	1	22487-140350	PIN 14* 35	2							
18	1	24761-060000	NIPPLE MT6X1, GREASE	1							
19	1	26013-100302	BOLT M10X 30	1							
20	1	26014-100252	BOLT 10X25 W/PLW+SPW	2							
21	1	26756-100002	LOCK NUT M10 PLATED	1							

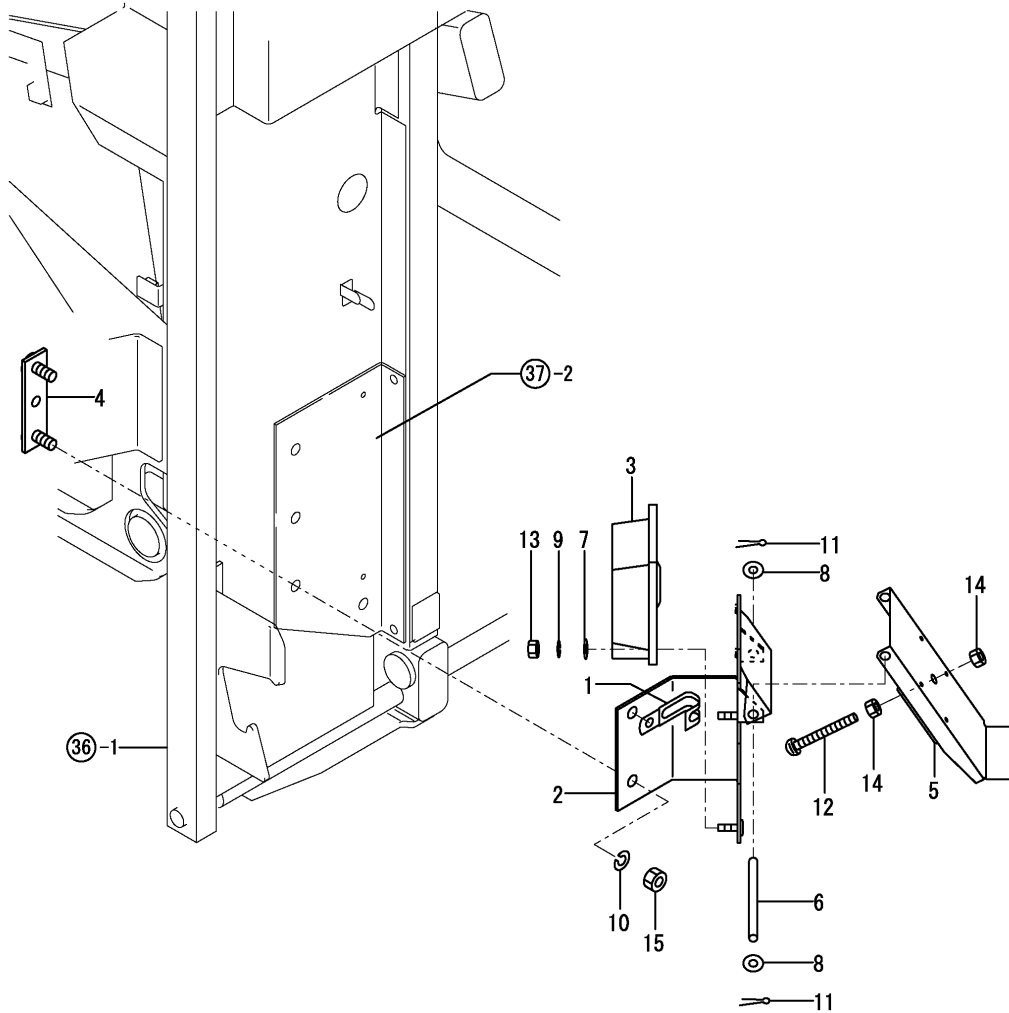
Fig.64. GC FRAME



(A)=RD18
(B)=
(C)= (D)=
(E)=
(F)=

REF.	LEV.	PARTS NO.	DESCRIPTION	Q'TY						I	R
				(A)	(B)	(C)	(D)	(E)	(F)		
1	1	194190-61761	CUSHION	4							
2	1	1E8150-62700	WASHER 3.5X15X1	3							
3	1	1A7550-76210	GC L CMP	1							
4	1	1A7550-76220	GC R CMP	1							
5	1	1A7550-76340	PLATE,SPRING	4							
6	1	1A7550-76370	GC ENDFLAME CMP	1							
7	1	1A7550-76400	BOTTOM PLATE CMP	1							
8	1	1A7550-76500	PIPE,BOTTOM	2							
9	1	1A7550-76510	SPRING,LEAF 0.8X44X5	2							
10	1	1A7550-76600	PIPE 13.8X2.3	2							
11	1	1A7550-76620	PIPE 27.2X882	1							
12	1	1A7550-76630	JOINT CMP	1							
13	1	1A7550-76700	PLATE,RUBBER	1							
14	1	1A7550-76730	COVER L	1							
15	1	1A7550-76750	COVER R CMP	1							
16	1	22137-080000	WASHER 8, POLISHED	4							
17	1	22137-080000	WASHER 8, POLISHED	2							
18	1	22137-200000	WASHER 20,POLISHED	2							
19	1	22157-100000	WASHER 10	4							
20	1	22217-060000	SPRING WASHER 6	5							
21	1	22217-100000	SPRING WASHER 10	2							
22	1	22217-200000	SPRING WASHER 20	2							
23	1	22351-060036	SPRING PIN 6X36	2							
24	1	22351-060036	SPRING PIN 6X36	2							
25	1	22697-320321	RIVET, 3.2 X 3.2	3							
26	1	26013-080352	BOLT M 8X 35	2							
27	1	26013-100202	BOLT W/WASHER M10X20	4							
28	1	26013-120252	BOLT M12X 25	6							
29	1	26106-080502	BOLT M 8X 50 PLATED	2							
30	1	26347-080002	U-NUT, 8	4							
31	1	26347-080002	U-NUT, 8	2							
32	1	26347-080002	U-NUT, 8	2							
33	1	26347-100002	U-NUT, 10	2							
34	1	26589-060122	SCREW 6* 12	5							
35	1	26589-080202	SCREW, 8 X 20	4							
36	1	26736-200002	NUT M20	2							

Fig.65. GC SENSOR

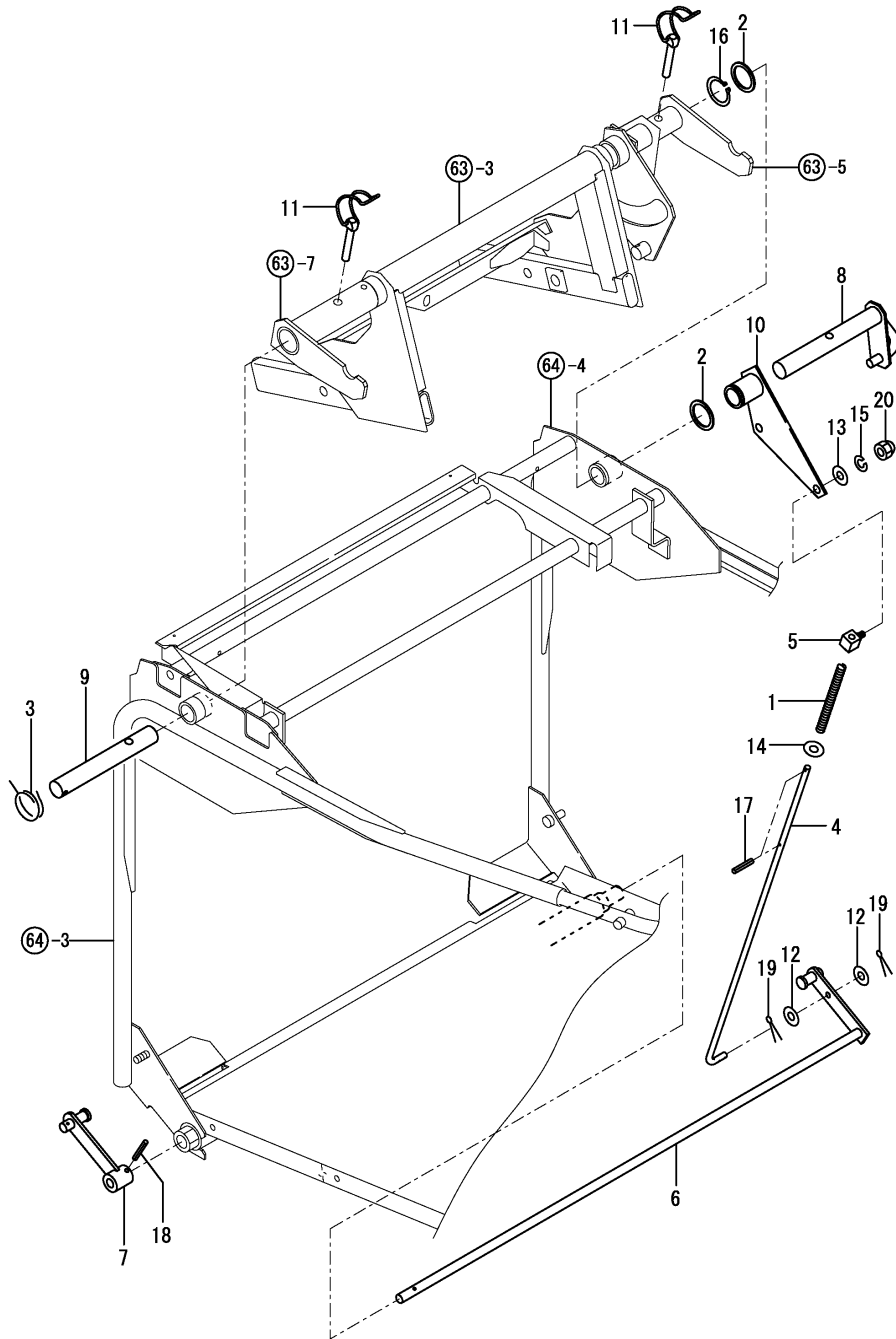


(A)=RD18 (D)=
 (B)= (E)=
 (C)= (F)=

REF.	LEV.	PARTS NO.	DESCRIPTION	Q'TY						I	R
				(A)	(B)	(C)	(D)	(E)	(F)		
1	1	194440-51620	CLAMP, WIRE HARNESS	1							
2	1	1A7550-76860	STAY,SENSOR CMP	1							
3	1	1A6150-76900	SENSOR ASSY.,GRASS	1							
4	1	1A7550-76900	PLATE 80X22X3.2	1							
5	1	1A7550-76940	COVER CMP	1							
6	1	1A7550-76960	SHAFT 6X96	1							
7	1	22137-060000	WASHER 6, POLISHED	2							
8	1	22137-060000	WASHER 6, POLISHED	2							
9	1	22217-060000	SPRING WASHER 6	2							
10	1	22217-080000	SPRING WASHER 8	2							
11	1	22417-200100	PIN, 2.0 X 10	2							
12	1	26557-060502	SCREW M 6X 50	1							
13	1	26716-060002	NUT 6	2							
14	1	26716-060002	NUT 6	2							
15	1	26716-080002	NUT M 8	2							

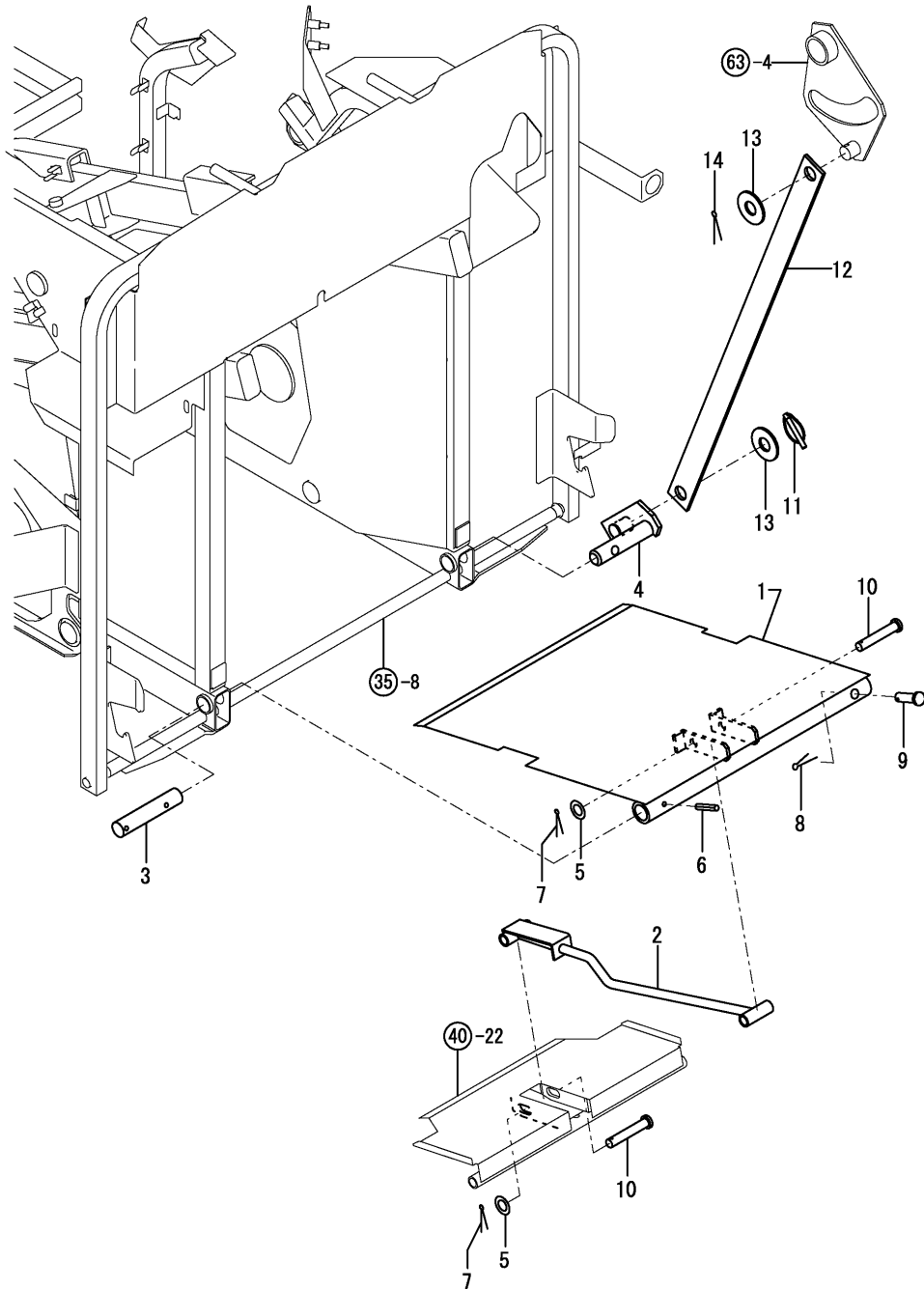
Fig.66. GC SWITCH LINK

(A)=RD18
(B)=
(C)= (D)=
(E)=
(F)=



REF.	LEV.	PARTS NO.	DESCRIPTION	Q'TY						I	R
				(A)	(B)	(C)	(D)	(E)	(F)		
1	1	198153-38240	SPRING	1							
2	1	1E4960-43630	WASHER 45*35*2	2							
3	1	194145-75250	RING	1							
4	1	1A7550-77200	LINK C	1							
5	1	1A7550-77230	BLOCK 19X19X33.5	1							
6	1	1A7550-77240	HOOK CMP	1							
7	1	1A7550-77270	HOOK BOSS CMP	1							
8	1	1A7550-77350	PIN R,GC LOCK CMP	1							
9	1	1A7550-77380	PIN L,GC LOCK	1							
10	1	1A7550-77420	LOCK ARM CMP	1							
11	1	1A7550-77450	PIN	2							
12	1	22137-080000	WASHER 8, POLISHED	2							
13	1	22137-080000	WASHER 8, POLISHED	1							
14	1	22137-080000	WASHER 8, POLISHED	1							
15	1	22217-080000	SPRING WASHER 8	1							
16	1	22242-000340	CIRCLIP 34	1							
17	1	22351-030016	SPRING PIN 3X16	2							
18	1	22351-040030	SPRING PIN 4X30	1							
19	1	22417-200160	COTTER PIN 2.0X16	2							
20	1	26656-080002	NUT, CAP 8	1							

Fig.67. GC BOTTOM PLATE

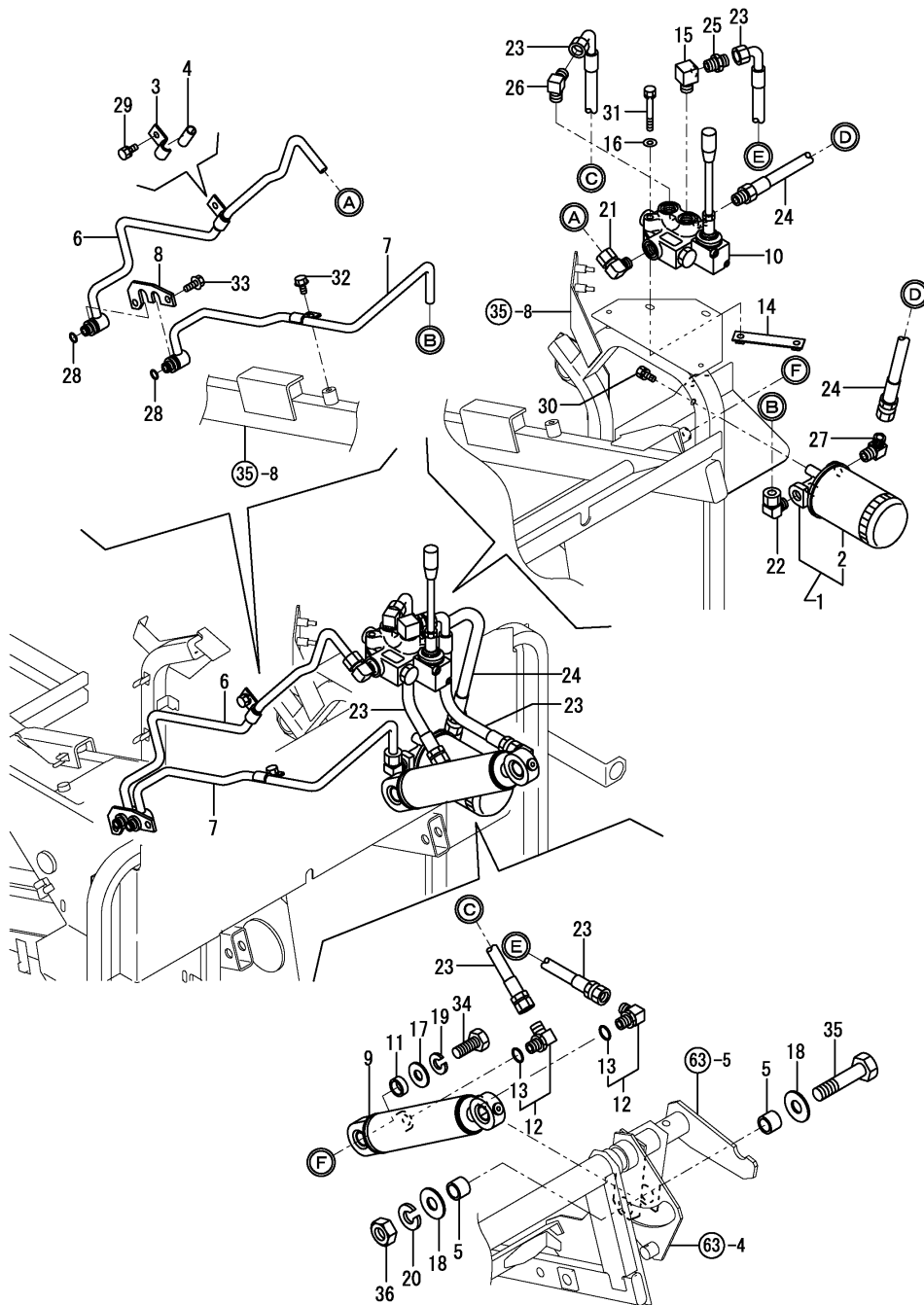


(A)=RD18 (D)=
 (B)= (E)=
 (C)= (F)=

REF.	LEV.	PARTS NO.	DESCRIPTION	Q'TY						I	R
				(A)	(B)	(C)	(D)	(E)	(F)		
1	1	1A7550-77500	GC PLATE,BOTTOM CMP	1							
2	1	1A7550-77560	LINK CMP	1							
3	1	1A7550-77600	PIN,LOCK L	1							
4	1	1A7550-77610	PIN,LINK R	1							
5	1	22117-120000	WASHER 12	2							
6	1	22351-060032	SPRING PIN 6X32	1							
7	1	22417-250250	COTTER PIN 2.5X25	2							
8	1	22417-250250	COTTER PIN 2.5X25	1							
9	1	22487-120400	PIN 12X 40	1							
10	1	22487-120650	PIN 12X65,FLAT HEAD	2							
11	1	194180-72950	PIN ASSY, LOCK	1							
12	1	1A7550-77750	LINK 697	1							
13	1	22137-200000	WASHER 20,POLISHED	2							
14	1	22417-400320	COTTER PIN 4.0X32	1							

Fig.68. GC HYDRAULIC SWITCH

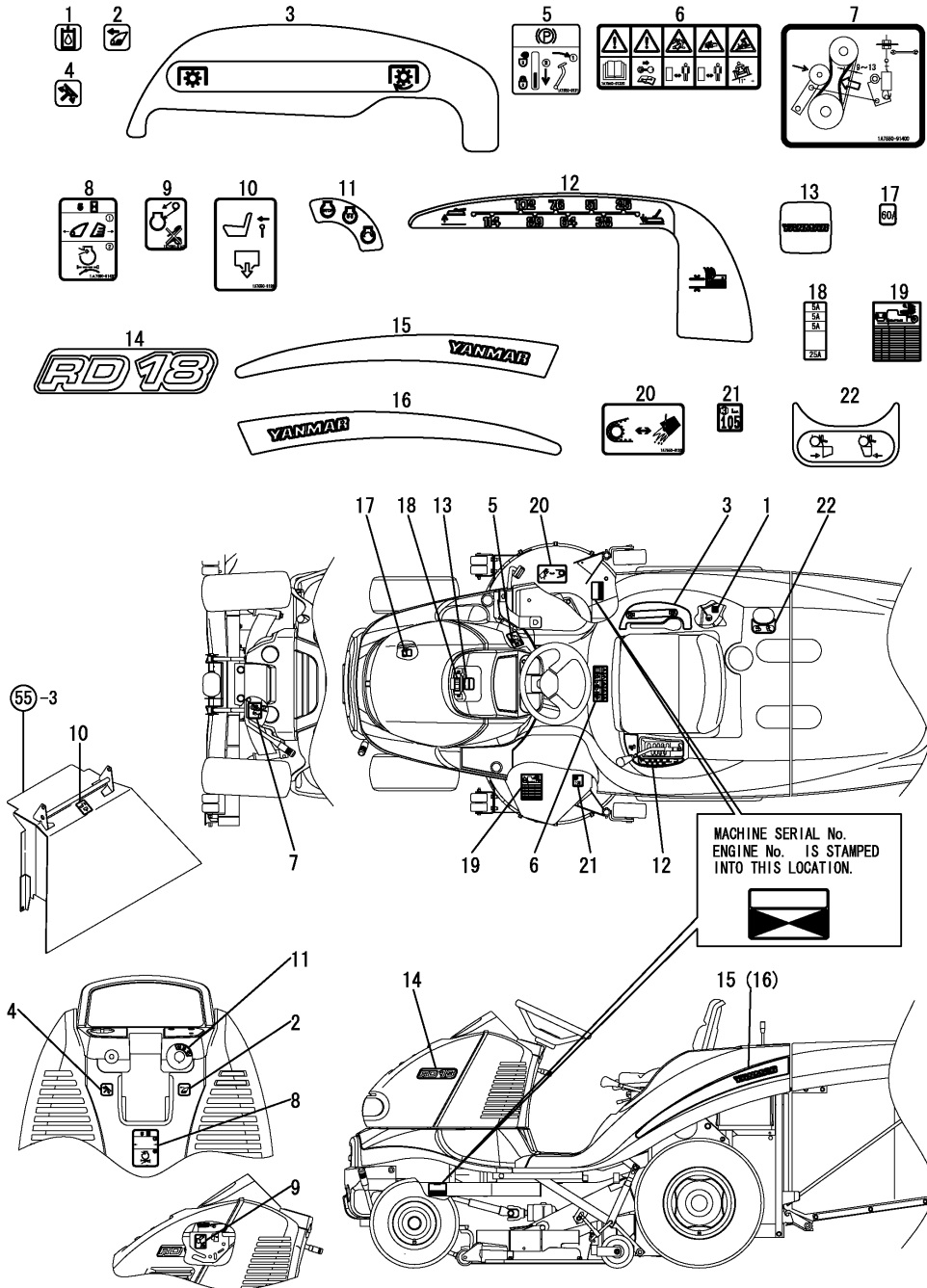
(A)=RD18
(B)=
(C)= (D)=
(E)=
(F)=



REF.	LEV.	PARTS NO.	DESCRIPTION	Q'TY						I R
				(A)	(B)	(C)	(D)	(E)	(F)	
1	1	1A7070-48220	FILTER,LINE	1						
2	2	1E8130-66791	ELEMENT COMPL.	1						
3	1	194450-48830	CLAMP	1						
4	1	194464-48850	RUBBER	1						
5	1	1E6140-57040	COLLAR 20X27.2X20	2						
6	1	1A7550-77800	PIPE P CMP	1						
7	1	1A7550-77830	PIPE T CMP	1						
8	1	1A7550-77860	PLATE,LOCK	1						
9	1	1A7550-77870	CYLINDER CMP (12)	1						
10	1	1A7550-77880	VALVE (12)	1						
11	1	1A7550-77890	COLLAR 20.5X28X10	1						
12	1	1A7550-77900	ELBOW 3/8	2						
13	2	24315-000140	O-RING 1B P-14.0	2						
14	1	1A7550-77920	PLATE B	1						
15	1	172168-79520	ELBOW	1						
16	1	22137-080000	WASHER 8, POLISHED	2						
17	1	22137-160000	WASHER 16,POLISHED	1						
18	1	22137-200000	WASHER 20,POLISHED	2						
19	1	22217-160000	SPRING WASHER 16	1						
20	1	22217-200000	SPRING WASHER 20	1						
21	1	23169-120031	ELBOW S12XR03,BITE	1						
22	1	23169-120031	ELBOW S12XR03,BITE	1						
23	1	23271-030315	HOSE, 3 X 310	2						
24	1	23271-030351	HOSE, 3 X 350	1						
25	1	23391-030000	JOINT RGI 3/8	1						
26	1	23393-030000	JOINT 90RGI 3/8	1						
27	1	23393-030000	JOINT 90RGI 3/8	1						
28	1	24351-190110	PACKING, 19011	2						
29	1	26013-080162	BOLT W/WASHER M8X16	1						
30	1	26013-080162	BOLT W/WASHER M8X16	2						
31	1	26013-080652	BOLT M 8X 65	2						
32	1	26106-080162	BOLT M 8X 16 PLATED	1						
33	1	26106-080202	BOLT M 8X 20 PLATED	2						
34	1	26116-160402	BOLT M16X 40 PLATED	1						
35	1	26116-200902	BOLT 20X90	1						
36	1	26726-200002	NUT, 20	1						

N:Old ↔ New, Q:Old ↔ New, R:Old ↔ New, S:Old ↔ New, W:Add, Z:Discontinued, F:Set Change, K:Q'ty Change
(C)Copy Rights YANMAR CO.,LTD and YANMAR AGRICULTURAL EQUIPMENT CO.,LTD.

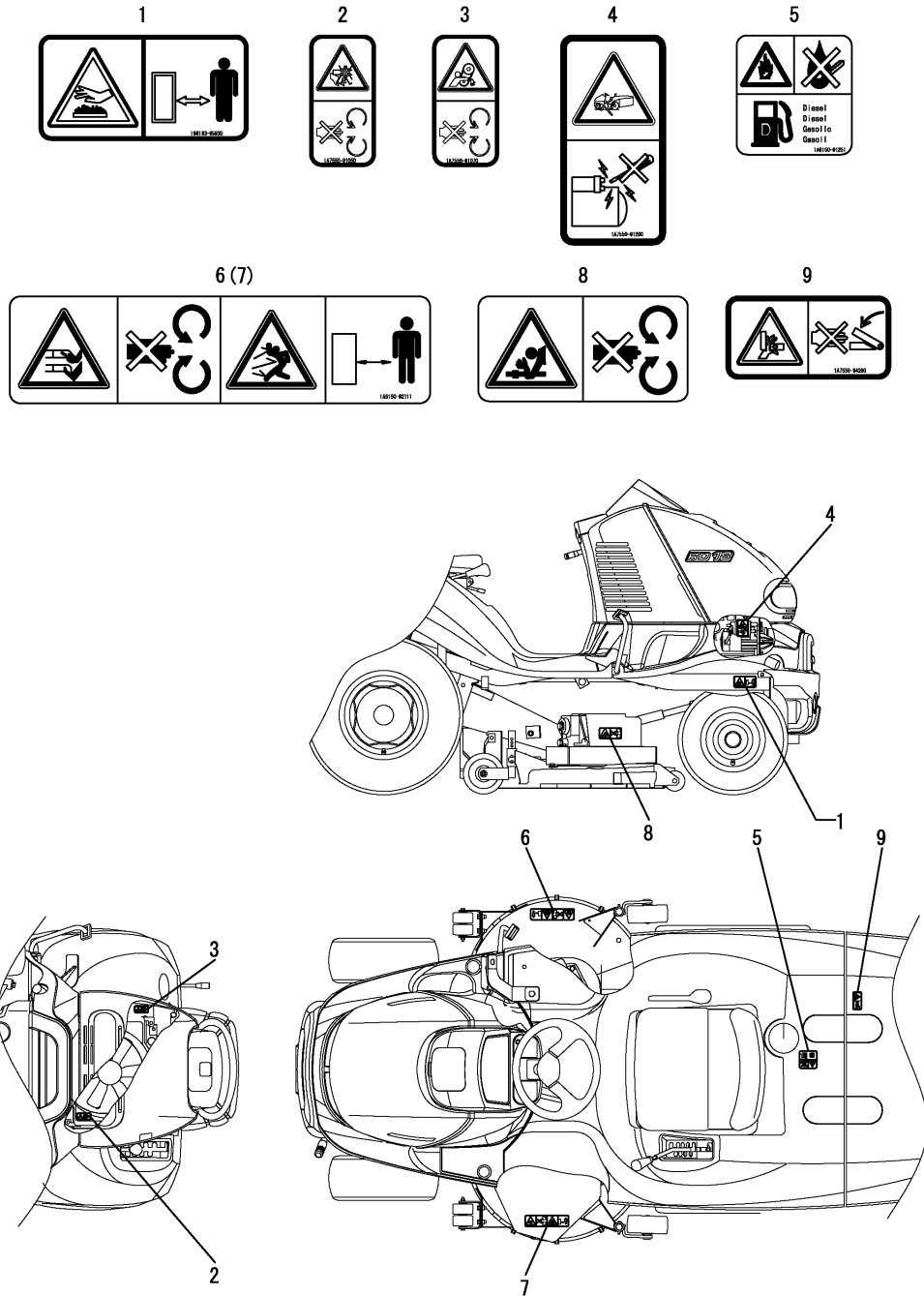
Fig.69. LABELS(COMMON)



(A)=RD18
(B)=
(C)= (D)=
(E)=
(F)=

REF.	LEV.	PARTS NO.	DESCRIPTION	Q'TY						I	R
				(A)	(B)	(C)	(D)	(E)	(F)		
1	1	1A7550-91100	LABEL,OIL	1							
2	1	1A7550-91120	LABEL,BONNET LOCK	1							
3	1	1A7550-91150	LABEL,PTO ON	1							
4	1	1A7550-91180	LABEL,TILT	1							
5	1	1A7550-91310	LABEL,PARKING	1							
6	1	1A7550-91320	LABEL,WARNING	1							
7	1	1A7550-91400	LABEL,PTO	1							
8	1	1A7550-91420	LABEL,SCREEN	1							
9	1	1A7550-91430	LABEL,EHG-OIL	1							
10	1	1A7550-91280	LABEL,DEFLECTOR	1							
11	1	1A7550-91340	LABEL,KEY	1							
12	1	1A7550-91380	LABEL,MOWER HEIGHT A	1							
13	1	1A7550-91500	LABEL,YANMAR	1							
14	1	1A7550-91510	LABEL,RD18	2							
15	1	1A7550-91520	LABEL,SIDE L	1							
16	1	1A7550-91530	LABEL,SIDE R	1							
17	1	1A7550-91600	LABEL,SLOW BLOW	1							
18	1	1A7550-91610	LABEL,FUSE BOX	1							
19	1	1A6150-92150	LABEL,CUTTING HEIGHT	1							
20	1	1A7550-91260	LABEL,MOWER BELT	1							
21	1	1A7080-92210	SOUND LEVEL MARK	1							
22	1	1A7550-94100	LABEL,GC OPEN	1							

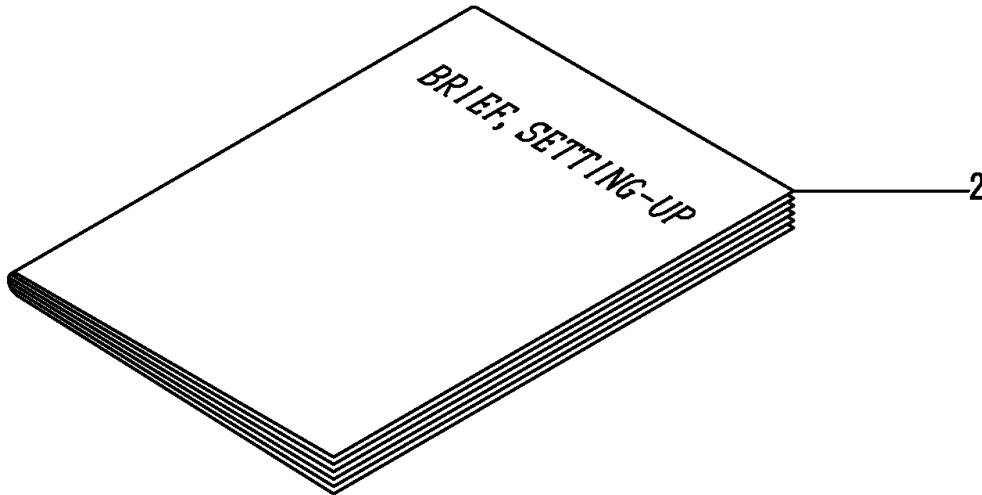
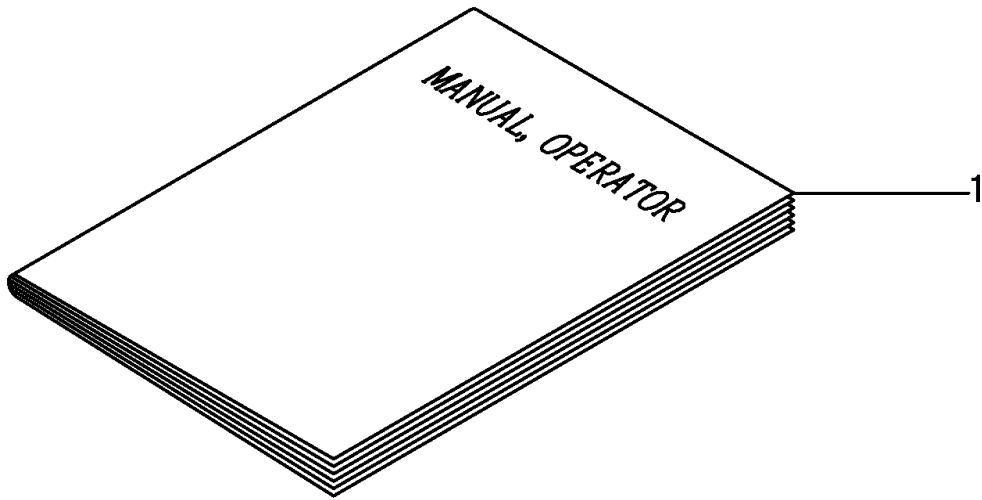
Fig.70. LABELS, SAFETY(EU)



(A)=RD18
(B)=
(C)= (D)=
(E)=
(F)=

REF.	LEV.	PARTS NO.	DESCRIPTION	Q'TY						I	R
				(A)	(B)	(C)	(D)	(E)	(F)		
1	1	198163-65930	CAUTION,MUFFLER	1							
2	1	1A7550-91050	LABEL,WARNING	1							
3	1	1A7550-91070	LABEL,WARNING	1							
4	1	1A7550-91200	LABEL,WARNING	1							
5	1	1A6150-91251	LABEL,RAKE CAUTION	1							
6	1	1A6150-92111	LABEL,DANGER BLADE	1							
7	1	1A6150-92111	LABEL,DANGER BLADE	1							
8	1	1A6150-93151	LABEL,COVER	1							
9	1	1A7550-94200	LABEL,WARNING	1							

Fig.71. ACCESSORIES



NPC-4678 71. ACCESSORIES

(A)=RD18 (D)=
 (B)= (E)=
 (C)= (F)=

REF.	LEV.	PARTS NO.	DESCRIPTION	Q'TY						I	R
				(A)	(B)	(C)	(D)	(E)	(F)		
1	1	41812-012100	MANUAL, OPERATOR	1							
2	1	41812-021210	BRIEF, SETTING-UP	1							

PARTS No. INDEX

PARTS No.	Fig.	Ref.No.
165000-14410	4	35
165000-14420	4	36
165000-14430	1	20
165000-14450	4	12
	15	3
165000-14460	4	30
	15	4
165000-14470	4	16
	15	5
165000-14480	6	10
	15	6
165000-14490	1	2
165000-14500	1	3
	5	3
165000-14510	5	4
165000-14520	1	4
165000-14600	6	13
165000-14710	5	15
165000-14720	5	16
165000-14820	2	24
165000-14840	2	2
165000-14850	2	20
165000-14870	6	17
165000-14920	1	25
165000-14940	5	7
165000-14950	5	9
165000-14960	5	12
165000-14970	5	10
165000-15020	5	8
	15	14
165000-15040	3	16
165000-15060	4	11
165000-15070	4	15
165000-15080	4	28
165000-15090	4	34
165000-15100	3	19
165000-15110	4	7
165000-15130	4	25
165000-15160	7	16
165000-15170	7	17
	15	8
165000-15180	7	18
165000-15200	7	28
	15	7
165000-15240	7	4
	15	15
165000-15310	1	22
165000-15320	3	5
165000-15340	3	4
165000-15360	11	10

PARTS No.	Fig.	Ref.No.
165000-15370	11	9
165000-15400	8	12
	15	18
165000-15410	10	1
165000-15420	10	3
165000-15430	10	10
165000-15440	10	8
165000-15460	11	4
165000-15470	10	4
	15	24
165000-15480	10	2
	15	25
165000-15490	10	9
	15	26
165000-15500	3	1
165000-15510	4	1
165000-15520	3	10
165000-15530	4	23
165000-15540	1	8
165000-15550	3	11
	15	27
165000-15560	4	3
	15	28
165000-15570	4	20
	15	30
165000-15580	13	1
165000-15610	8	18
165000-15640	7	19
165000-15650	11	8
165000-15670	3	7
165000-15680	4	31
165000-15690	3	2
165000-15700	5	11
165000-15730	10	13
165000-15740	4	5
165000-15760	9	8
165000-15780	1	6
165000-15790	1	5
165000-15810	8	13
165000-15820	7	29
165000-15830	7	23
165000-15860	2	25
165000-15880	2	23
165000-15890	2	14
165000-15910	2	13
165000-15930	6	20
	15	2
165000-15940	4	4
	15	29
165000-15960	3	17

PARTS No.	Fig.	Ref.No.
165000-15970	3	8
165000-15980	3	3
165000-16000	3	6
165000-16010	8	4
165000-16020	3	20
165000-16030	10	14
165000-16040	10	15
165000-16050	14	4
165000-16090	14	11
165000-16100	14	2
165000-23160	6	2
165000-23170	4	27
165000-23180	6	18
165000-23220	1	19
165000-23240	8	5
165000-23250	2	22
165000-23260	13	3
165000-23270	1	17
165000-23280	2	6
		9
		12
165000-23290	2	3
165000-23300	3	18
165000-23310	1	13
165000-23330	11	7
165000-23340	1	7
165000-23350	5	24
	15	32
165000-47500	1	24
165000-47530	2	7
165000-47540	2	10
165000-47550	2	17
165000-47560	2	18
165000-47570	2	21
165000-47590	14	1
165000-47620	8	3
165000-47630	8	2
165000-47640	8	7
165000-47660	8	9
165000-47720	9	3
165000-47760	9	10
165000-47780	9	6
	15	21
165000-47800	5	2
165000-47810	5	6
165000-47870	7	21
165000-47930	4	14
165000-47950	7	11
165000-47980	12	5
165000-47990	7	5

PARTS No.	Fig.	Ref.No.
165000-48000	7	6
165000-48060	14	3
165000-48070	14	5
165000-48080	14	6
165000-48090	14	8
165000-48100	14	9
165000-48110	14	10
165000-48120	14	12
165000-48130	14	13
165000-48140	14	14
165000-48150	14	15
165000-48160	14	16
165000-48170	14	17
165000-48180	14	18
165000-48190	14	19
165000-48200	14	20
165000-48210	14	21
165000-48220	12	6
165000-48230	12	7
	15	16
165000-48240	12	8
165000-48250	12	9
165000-48270	8	17
165000-48280	9	7
165000-48320	9	11
165000-48510	1	21
	15	10
165000-59800	7	8
165000-73070	5	5
165000-73080	7	13
165000-73090	7	24
165000-73100	1	1
165000-73110	2	4
165000-73120	9	4
165000-73130	6	1
165000-73140	6	9
165000-73150	6	19
	15	31
165000-73160	5	1
165000-73170	5	17
165000-73180	5	18
	15	12
165000-73190	9	2
165000-73200	9	1
	15	13
165000-73210	2	1
165000-73220	6	16
165000-73230	11	1
165000-73240	3	14
165000-73250	3	13

PARTS No. INDEX

PARTS No.	Fig.	Ref.No.
165000-73260	8	1
165000-73270	1	26
165000-73280	8	6
165000-73290	8	14
	15	19
165000-73300	4	6
165000-73310	4	18
165000-73320	4	40
165000-73390	12	1
165000-73400	12	3
165000-73410	12	4
165000-73420	12	2
165000-73430	7	1
	15	17
165000-73440	7	7
165000-73450	7	14
165000-73460	9	14
165000-73470	5	21
165000-73480	5	22
	15	23
165000-73490	9	15
	15	22
165000-73500	6	7
165000-73510	8	19
165000-73520	6	6
165000-73530	11	11
165000-73540	11	5
165000-73560	10	12
165000-73590	7	22
165000-73600	4	38
165000-73610	15	1
165000-73620	6	12
165000-73630	1	10
165000-73640	1	23
165000-73650	4	41
1W0101-10625	7	9
1W0101-10630	4	19
1W0104-11212	6	3
1W0107-00610	3	22
1W0107-00845	2	15
1W0108-10845	2	5
		8
1W0108-10850	2	11
1W0113-10612	3	12
		21
	6	8
		11
1W0113-10614	4	26
	7	27
1W0113-10616	7	26

PARTS No.	Fig.	Ref.No.
1W0113-10620	7	3
	9	16
	11	6
1W0113-10625	5	19
	8	15
1W0113-10635	10	6
1W0113-10640	4	37
1W0113-10650	10	7
1W0113-10670	9	12
1W0121-10620	1	18
	8	11
1W0121-10625	5	23
1W0121-10820	5	25
1W0251-00006	7	12
	15	33
1W0261-09011	11	14
1W0303-00414	4	2
1W0305-00512	1	14
1W0305-00616	1	15
1W0305-00820	1	16
1W0341-00508	3	15
	11	3
1W0365-09005	1	9
1W0521-09076	6	5
	15	9
1W0672-00078	7	15
		25
1W1858-46616	14	7
1W1958-16540	5	13
1W3982-10070	4	39

PARTS No.	Fig.	Ref.No.
-----------	------	---------

PARTS No.	Fig.	Ref.No.
-----------	------	---------

PARTS No. INDEX

PARTS No.	Fig.	Ref.No.
102103-55520	5	18
104200-55330	5	21
104200-55750	5	22
105340-44220	35	9
106990-44660	5	11
		12
		13
		14
	6	34
110250-55610	5	19
119254-44560	6	10
119254-44570	6	11
119254-44580	6	12
119254-44590	6	13
119254-44600	6	22 A
119515-12520	3	3
119629-49080	6	6
119629-59910	5	27
	6	39
119643-66900	9	6
119650-77910	10	16
		19
		22
119660-77711	10	15
119686-12570	3	5
119808-12540	3	4
119810-55650	5	24
119865-12600	3	9
119923-55600	5	16
119923-55610	5	20
121236-59080	6	17
121250-44590	6	14
121257-55720	5	25
121257-55731	5	26
121450-44531	6	29
121468-44510	6	27
121468-44540	6	30
121470-44581	6	32
124450-44560	6	31
129052-13550	2	7
129107-44590	6	15
129107-55510	5	17
129150-49080	6	4
129211-77920	10	25
129457-44600	6	16
172010-07810	5	8
	6	26
172147-62290	42	16
172168-79520	68	15
172183-61350	61	2

PARTS No.	Fig.	Ref.No.
187Q01-25010	28	1
	29	3
192154-24310	27	7
192154-27281	30	24
192154-85310	29	16
192163-24350	27	9
192167-24240	29	2
192167-25260	27	11
192167-25310	28	10
192167-26080	30	1
192167-26200	30	2
192167-26250	30	4
192167-26300	30	8
192167-27141	30	23
192167-33421	33	7
192167-34140	27	12
192167-34160	33	11
192167-34240	33	14
192167-34250	27	13
192168-24760	27	27
192168-29570	30	28
192180-26481	49	7
194130-22370	1	11
194145-75250	66	3
194151-47760	59	3
194151-63222	46	20
194151-63240	46	21
194151-63250	46	22
194180-51640	9	16
194180-72950	67	11
194190-34730	22	4
		10
194190-61761	54	15
	64	1
194215-04220	4	10
194215-12340	25	1
194301-11890	56	12
194301-11900	56	13
194301-11910	56	14
194310-61610	11	30
194420-62260	4	11
194420-63150	46	18
194420-63160	46	19
194440-51620	47	9
	65	1
194440-61741	8	5
194450-45550	17	9
194450-48830	68	3
194464-48850	5	15
	6	35

PARTS No.	Fig.	Ref.No.
194464-48850	6	36
	68	4
194464-51740	9	19
194630-15530	15	5
194630-64770	8	6
194680-51670	6	37
	9	17
		18
194850-49290	30	19
194855-24020	27	34
194855-25290	12	20
194940-01230	47	1
194940-52110	10	8
194990-22050	2	8
	23	2
	37	1
	40	12
	46	3
		4
	60	5
194990-22060	1	9
		10
	17	7
194990-22120	10	5
194990-22130	15	6
194990-22140	9	12
		13
	62	1
195160-13870	54	7
195534-13450	15	4
195616-24930	1	12
	35	19
		20
198121-61440	42	15
198133-62050	7	24
198153-38240	66	1
198162-00640	6	1
198162-61370	7	21
198163-65220	35	12
198163-65260	35	13
	42	17
198163-65930	70	1
198167-24530	30	21
198200-56630	4	7
198200-63110	46	17
198204-52410	10	13
198212-25930	23	9
198220-62890	1	13
198360-52160	10	12
198360-52320	10	10

PARTS No.	Fig.	Ref.No.
198360-52330	10	11
198421-00640	6	2
198448-60690	7	20
	9	20
198448-61480	35	10
		18
198463-87070	35	14
		15
198511-51450	9	15
198535-61230	54	9
1A1040-43900	16	7
1A6150-08270	11	11
1A6150-21290	19	6
1A6150-23000	22	1
1A6150-23010	22	2
1A6150-23020	22	3
1A6150-23030	22	5
1A6150-23250	22	7
1A6150-23260	22	8
1A6150-23270	22	9
1A6150-23280	22	11
1A6150-35050	39	1
1A6150-51110	47	8
1A6150-66011	60	2
1A6150-71370	57	22
1A6150-76900	65	3
1A6150-91251	70	5
1A6150-92111	70	6
		7
1A6150-92150	69	19
1A6150-93151	70	8
1A6211-61820	36	3
	61	3
1A6240-10380	5	9
	35	2
1A6260-10610	11	28
	46	2
1A6300-10600	5	10
1A6310-65570	62	7
1A6320-24300	27	5
1A6320-24320	27	8
1A6320-29510	30	26
1A6320-34290	33	15
1A6370-24100	27	1
1A6370-24130	27	3
1A6370-24201	32	1
1A6370-24210	29	1
1A6370-24310	27	6
1A6370-24380	27	30
1A6370-24460	27	10

PARTS No. INDEX

PARTS No.	Fig.	Ref.No.
1A6370-24500	27	21
1A6370-25230	29	11
1A6370-25261	28	9
1A6370-25270	29	12
1A6370-25330	29	13
1A6370-25370	29	14
1A6370-25400	29	15
1A6370-26350	30	12
1A6370-26390	30	3
1A6370-26450	27	31
1A6370-26480	30	17
1A6370-27101	30	22
1A6370-27510	30	25
1A6370-29530	30	27
1A6370-29610	31	1
1A6370-29630	31	2
1A6370-29640	31	3
1A6370-29660	31	4
1A6370-29670	31	5
1A6370-29680	31	6
1A6370-29700	32	6
1A6370-29800	31	7
1A6370-31570	33	1
1A6370-33420	33	6
1A6370-33451	33	8
1A6370-33470	33	9
1A6370-33551	33	5
1A6370-34120	33	10
1A6370-34200	33	12
1A6370-34230	33	13
1A6370-36100	34	1
1A6370-36251	34	11
1A6370-36361	34	12
1A6380-61650	54	11
1A6380-61660	54	12
1A6380-61690	46	15
1A6470-61230	45	5
1A6750-15350	24	1
1A6750-16250	24	2
1A6750-42000	24	4
1A6750-42010	24	5
1A7000-52820	9	11
1A7000-61480	55	2
1A7070-48220	68	1
1A7080-92210	69	21
1A7260-61970	7	22
1A7320-61980	7	23
1A7400-61300	46	14
1A7450-04650	35	1
1A7510-10220	11	27

PARTS No.	Fig.	Ref.No.
1A7510-10230	7	18
1A7510-52110	10	6
		7
1A7550-00300	2	1
1A7550-00350	2	2
1A7550-00370	2	3
1A7550-00380	2	4
1A7550-00390	2	5
1A7550-00410	2	6
1A7550-00700	1	1
1A7550-00750	1	2
1A7550-00820	1	3
1A7550-00840	1	4
1A7550-00850	1	5
1A7550-00860	1	6
1A7550-00870	1	7
1A7550-01300	3	1
1A7550-01310	3	6
1A7550-01350	3	7
1A7550-01360	3	8
1A7550-03000	4	4
1A7550-03180	4	9
1A7550-03310	5	1
1A7550-03320	5	2
1A7550-03350	5	3
1A7550-03390	5	4
1A7550-03400	5	5
1A7550-03410	5	6
1A7550-03440	5	7
1A7550-06000	6	8
1A7550-06200	6	23
1A7550-06250	6	24
1A7550-06260	7	12
1A7550-06270	7	13
1A7550-06290	6	25
1A7550-06300	7	14
1A7550-06310	7	15
1A7550-06350	7	16
1A7550-06360	7	17
1A7550-07100	8	2
1A7550-07110	8	3
1A7550-08100	9	4
1A7550-08250	9	9
1A7550-08300	10	1
		2
1A7550-08361	4	6
1A7550-08400	10	3
1A7550-08500	11	12
1A7550-08550	11	13
1A7550-08600	11	16

PARTS No.	Fig.	Ref.No.
1A7550-08610	11	17
1A7550-08640	11	22
1A7550-08650	11	23
1A7550-08700	11	24
1A7550-08710	11	25
1A7550-08720	11	26
1A7550-08811	10	4
1A7550-11010	12	13
1A7550-11030	12	14
1A7550-11040	12	15
1A7550-11050	12	16
1A7550-11100	12	17
1A7550-11110	12	18
1A7550-11150	12	6
1A7550-11350	12	2
1A7550-11370	12	7
1A7550-11380	12	30
1A7550-11450	12	3
1A7550-11520	14	1
1A7550-11550	13	1
1A7550-11820	13	7
1A7550-11830	13	8
1A7550-11900	13	9
1A7550-11920	14	2
1A7550-12500	14	3
1A7550-12510	14	4
1A7550-12540	14	5
1A7550-12610	14	23
1A7550-12640	14	24
1A7550-12650	14	25
1A7550-13250	15	1
1A7550-13280	15	2
1A7550-13310	15	3
1A7550-15010	16	1
1A7550-15020	16	2
1A7550-15050	16	3
1A7550-15150	16	17
1A7550-15210	18	1
1A7550-15220	18	2
1A7550-15230	18	3
1A7550-15240	18	4
1A7550-15250	18	5
1A7550-15260	18	6
1A7550-15300	17	1
1A7550-15330	17	2
1A7550-15340	17	3
1A7550-15370	17	4
1A7550-15390	17	5
1A7550-15400	16	4
1A7550-15450	17	6

PARTS No.	Fig.	Ref.No.
1A7550-15460	16	5
1A7550-15600	16	6
1A7550-21150	19	5
1A7550-21200	19	7
1A7550-21250	19	8
1A7550-21300	19	9
1A7550-21350	19	1
1A7550-21400	19	2
1A7550-21450	19	3
1A7550-21500	19	4
1A7550-22100	20	1
1A7550-22150	20	2
1A7550-22510	21	1
1A7550-22610	21	2
1A7550-22620	21	3
1A7550-25100	23	3
1A7550-25110	23	4
1A7550-25170	23	5
1A7550-25200	24	3
1A7550-25300	23	6
1A7550-25510	23	7
1A7550-25550	23	8
1A7550-26040	25	2
1A7550-26050	25	3
1A7550-26100	25	8
1A7550-31790	35	3
1A7550-31900	35	4
1A7550-31920	35	5
1A7550-32000	36	1
1A7550-32090	37	2
1A7550-32110	37	3
1A7550-32160	35	6
		7
1A7550-32200	35	8
1A7550-32280	35	17
		36
		37
		23
1A7550-32500	37	4
1A7550-32520	37	5
1A7550-32530	37	6
1A7550-32550	37	7
1A7550-32560	37	8
		40
		13
1A7550-32610	37	9
1A7550-32620	37	10
1A7550-32630	37	11
1A7550-32700	37	12
1A7550-32710	37	13
1A7550-32750	37	14
1A7550-35010	38	1

PARTS No. INDEX

PARTS No.	Fig.	Ref.No.
1A7550-35200	38	2
1A7550-35250	42	5
1A7550-35300	38	3
1A7550-35350	38	4
1A7550-35450	38	5
1A7550-35500	38	6
1A7550-35550	38	7
1A7550-35560	38	8
1A7550-35570	38	9
1A7550-35600	38	10
1A7550-35700	39	2
1A7550-35750	39	3
1A7550-35800	36	2
1A7550-36010	40	1
1A7550-36510	40	14
1A7550-36520	40	15
1A7550-36560	40	16
1A7550-36580	40	17
1A7550-36590	40	18
1A7550-36600	40	19
1A7550-36610	40	20
1A7550-36620	40	21
1A7550-36650	40	22
1A7550-36700	40	23
1A7550-36750	40	2
1A7550-36760	40	3
1A7550-39000	41	1
1A7550-39010	41	2
1A7550-39030	41	3
1A7550-39200	41	4
1A7550-41200	42	11
1A7550-41210	42	12
1A7550-41500	43	10
1A7550-41550	43	11
1A7550-41700	42	13
1A7550-41750	43	12
1A7550-43110	45	1
1A7550-43120	45	2
1A7550-43300	45	3
1A7550-43350	45	4
1A7550-43360	42	14
1A7550-44150	46	5
1A7550-44210	46	6
1A7550-44220	46	7
1A7550-44270	46	8
1A7550-44280	46	9
1A7550-44330	46	10
1A7550-44370	46	11
1A7550-44400	46	12
1A7550-51010	47	6

PARTS No.	Fig.	Ref.No.
1A7550-51100	47	7
1A7550-53110	48	1
1A7550-53120	48	3
1A7550-53400	48	4
1A7550-53560	48	7
1A7550-53580	48	8
1A7550-54250	49	8
1A7550-54300	49	2
1A7550-54320	48	9
	49	9
1A7550-54360	50	1
1A7550-54370	50	2
1A7550-54400	49	3
1A7550-54510	49	4
1A7550-54580	49	10
1A7550-57100	51	2
1A7550-57150	51	4
1A7550-57200	51	5
1A7550-57210	51	6
1A7550-58010	52	3
1A7550-58050	52	4
1A7550-58150	52	5
1A7550-58200	52	6
1A7550-58230	52	7
1A7550-58250	52	8
1A7550-58300	52	9
1A7550-58350	52	10
1A7550-58360	52	11
1A7550-61020	54	1
1A7550-61620	54	10
1A7550-61660	54	13
1A7550-61700	54	14
1A7550-61800	55	1
1A7550-61900	55	3
1A7550-61990	55	4
1A7550-62010	56	2
1A7550-62050	56	3
1A7550-62080	56	4
1A7550-62310	56	17
1A7550-62320	56	18
1A7550-62330	56	19
1A7550-63010	57	1
1A7550-63110	57	3
1A7550-63180	57	4
1A7550-63300	57	10
1A7550-63400	57	11
1A7550-63410	57	12
1A7550-63510	57	20
1A7550-63600	57	21
1A7550-63650	57	13

PARTS No.	Fig.	Ref.No.
1A7550-63700	58	3
1A7550-63750	58	5
1A7550-63760	58	6
1A7550-63770	58	16
1A7550-63810	58	17
1A7550-63840	58	18
1A7550-63850	58	19
1A7550-63870	58	20
1A7550-64010	59	1
1A7550-64020	59	2
1A7550-64210	59	4
1A7550-66150	60	7
1A7550-66300	60	10
1A7550-66410	60	12
1A7550-66450	60	13
1A7550-66600	60	18
1A7550-67010	61	4
1A7550-67100	61	5
1A7550-67150	61	6
1A7550-67180	61	7
1A7550-75010	62	2
1A7550-75110	62	8
1A7550-75120	62	9
1A7550-75200	62	10
1A7550-75400	36	4
	62	11
1A7550-75600	62	3
1A7550-75630	62	4
1A7550-76000	63	2
1A7550-76010	63	3
1A7550-76100	63	4
1A7550-76130	63	5
1A7550-76150	63	6
1A7550-76170	63	7
1A7550-76210	64	3
1A7550-76220	64	4
1A7550-76340	64	5
1A7550-76370	64	6
1A7550-76400	64	7
1A7550-76500	64	8
1A7550-76510	64	9
1A7550-76600	64	10
1A7550-76620	64	11
1A7550-76630	64	12
1A7550-76700	64	13
1A7550-76730	64	14
1A7550-76750	64	15
1A7550-76860	65	2
1A7550-76900	65	4
1A7550-76940	65	5

PARTS No.	Fig.	Ref.No.
1A7550-76960	65	6
1A7550-77200	66	4
1A7550-77230	66	5
1A7550-77240	66	6
1A7550-77270	66	7
1A7550-77350	66	8
1A7550-77380	66	9
1A7550-77420	66	10
1A7550-77450	66	11
1A7550-77500	67	1
1A7550-77560	67	2
1A7550-77600	67	3
1A7550-77610	67	4
1A7550-77750	67	12
1A7550-77800	68	6
1A7550-77830	68	7
1A7550-77860	68	8
1A7550-77870	68	9
1A7550-77880	68	10
1A7550-77890	68	11
1A7550-77900	68	12
1A7550-77920	68	14
1A7550-91050	70	2
1A7550-91070	70	3
1A7550-91100	69	1
1A7550-91120	69	2
1A7550-91150	69	3
1A7550-91180	69	4
1A7550-91200	70	4
1A7550-91260	69	20
1A7550-91280	69	10
1A7550-91310	69	5
1A7550-91320	69	6
1A7550-91340	69	11
1A7550-91380	69	12
1A7550-91400	69	7
1A7550-91420	69	8
1A7550-91430	69	9
1A7550-91500	69	13
1A7550-91510	69	14
1A7550-91520	69	15
1A7550-91530	69	16
1A7550-91600	69	17
1A7550-91610	69	18
1A7550-94100	69	22
1A7550-94200	70	9
1A7720-51420	9	14
1B1496-22250	11	29
1B1498-25050	60	6
1C1120-17600	13	10

PARTS No. INDEX

PARTS No.	Fig.	Ref.No.
1C6082-22810	56	1
1C6140-42380	23	16
1C6140-42471	23	17
1C6140-47210	60	1
1C6281-52310	18	7
	43	13
1C6281-52320	6	38
1C6360-65700	23	22
	43	14
1C6420-11690	12	19
1C6460-36110	11	14
1C6460-36151	11	19
1C6550-38630	40	4
1C6560-06300	9	1
		2
		3
1C6560-16400	23	1
1C6560-35130	43	2
1C6560-42290	23	13
1C6560-42350	23	14
1C6560-42360	23	15
1C6560-42650	23	20
1C6560-47000	51	1
	52	1
1C6650-37480	11	7
	42	8
		9
		10
1C6660-11120	12	1
1C6690-74420	15	7
1C6700-23480	47	2
1C6710-08120	11	5
1C6710-08130	11	6
1C6710-08220	11	3
1C6710-83180	43	15
1C6720-35500	11	4
1C6720-35651	7	19
1C6720-36270	11	15
1C6720-42000	44	1
1C6720-42010	44	2
1C6720-42020	44	3
1C6720-42601	23	19
1C6720-48200	47	4
1C6720-95500	44	4
1C6740-08200	11	1
1C6740-08210	11	2
1C6740-36030	11	18
1C6740-36280	11	20
1C6740-36320	11	21
1C6780-35910	23	10

PARTS No.	Fig.	Ref.No.
1C6780-35910	43	8
1C6780-37180	8	4
	37	15
1C6860-02300	4	3
1C6900-01562	7	1
1C6900-01680	7	2
1C6900-01720	6	7
1C6900-01730	7	5
1C6900-01740	7	6
1C6900-01750	7	7
1C6900-01760	7	8
	46	1
1C6900-01770	7	9
		10
1C6900-01780	7	11
1C6900-02010	4	1
1C6900-02050	4	2
1C6900-32640	43	1
1C6900-35020	42	2
1C6900-35050	42	3
1C6900-35200	42	4
1C6900-35300	42	6
1C6900-35310	42	7
1C6900-35350	43	3
1C6900-35360	43	4
1C6900-35400	43	5
1C6900-35460	43	6
1C6900-35470	43	7
1C6900-36151	43	9
1C6900-36200	23	11
1C6900-42280	23	12
1C6900-48120	47	3
1C6900-48251	47	5
1C6901-35010	42	1
1C6950-81200	62	18
1C6980-42170	24	9
1C6980-42310	25	4
1C6980-42320	25	5
1C6980-42330	25	6
1C7010-06010	8	1
1C7010-87350	14	6
1C7080-56050	50	3
1C7100-42530	23	18
1D1300-21911	1	8
1E4010-76220	60	14
1E4960-43630	63	1
	66	2
1E6020-54070	56	15
1E6070-81360	4	12
1E6140-51660	58	2

PARTS No.	Fig.	Ref.No.
1E6140-57040	68	5
1E6150-56040	52	2
1E6150-73410	19	10
1E6190-54080	56	16
1E6650-63400	38	11
1E6680-26631	54	8
1E6740-42060	17	8
1E6910-73220	59	5
1E6910-82500	10	26
		27
1E6910-83500	37	16
	46	23
1E8060-67750	39	4
1E8130-66791	68	2
1E8150-62700	23	21
	46	16
	64	2
1E8232-51020	25	9
1E8252-48130	46	13
1E8511-75560	36	5
1E8540-47950	17	10
	58	1
1E8940-73240	58	7
1E8945-62320	35	11
1P211A-71850	10	14
1S0070-63100	54	2
1S6021-01550	61	1
1T3660-87230	39	5
1W3981-14050	49	1
1W6521-10080	60	17
41812-012100	71	1
41812-021210	71	2
7A6370-24100	26	1
7A7550-61000	53	1

PARTS No.	Fig.	Ref.No.
-----------	------	---------